

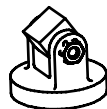
REVISION HISTORY			
REV	AUTH	DATE	DESCRIPTION
A	-	1/18/2008	INITIAL RELEASE



X-SMALL MOUNT

APPLICATIONS:

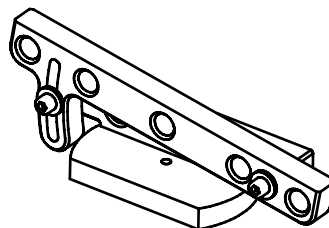
- 75-440-X
- 62-440-X
- 51-440-X
- 42-440-X
- 34-440-X
- 28-440-X
- 28-441-X



SMALL MOUNT

APPLICATIONS:

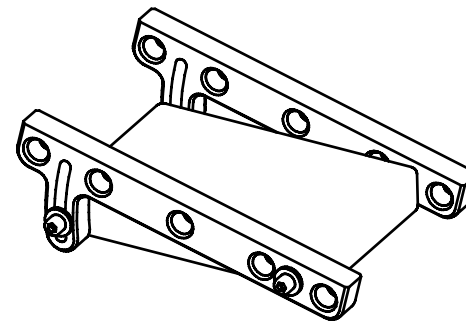
- 650-440-X
- 430-440-X
- 340-440-X
- 340-441-X
- 284-440-X
- 284-441-X
- 229-440-X
- 229-441-X
- 187-440-X
- 187-441-X
- 187-442-X
- 159-440-X
- 159-441-X
- 159-442-X
- 137-440-X
- 137-441-X
- 137-442-X
- 112-440-X
- 112-441-X
- 102-440-X
- 102-441-X
- 102-449-X/17
- 102-442-X
- 90-440-X
- 90-441-X
- 90-442-X
- 75-441-X
- 75-442-X
- 62-441-X
- 62-449-X/17.5
- 62-442-X
- 62-449-X/24
- 51-441-X
- 51-442-X
- 42-441-X
- 42-442-X
- 42-449-X/24
- 34-441-X
- 34-442-X
- 28-442-X
- 28-449-X/24



MEDIUM MOUNT

APPLICATIONS:

- 430-441-X
- 229-442-X
- 112-449-X/24
- 90-449-X/24



LARGE MOUNT

APPLICATIONS:

- 650-441-X
- 430-442-X
- 340-442-X
- 284-442-X

THIRD ANGLE PROJECTION:		APPROVALS	DATE	ADVANCED TECHNICAL MATERIALS, INC. TEL: (631) 289-0363 FAX: (631) 289-0358 www.atmmicrowave.com		THE INFORMATION IN THIS DRAWING IS PROPRIETARY AND SHALL NOT BE USED OR DISCLOSED WITHOUT THE PRIOR WRITTEN CONSENT OF ATM, INC. DO NOT SCALE DWG.			
UNLESS OTHERWISE NOTED, DIMENSIONS ARE IN INCHES. TOLERANCES ARE: FRACTIONS: ±1/64 ANGLES: ±1/2°		DRAWN M.R.		HORN MOUNT APPLICATIONS		SIZE	CAGE CODE	ATM DWG #	REVISION
		CHKD.				A	0R8N4	7994	A
		APRVD.				MODEL #	XXX-44X-X	SHEET	1
BASIC DIMENSION	DECIMALS 2 PLACE 3 PLACE	MATERIAL							
UNDER 6"	±.02 ±.005	TREATMENT							
6" - 12"	±.03 ±.010	FINISH							
OVER 12"	±.06 ±.015								