



# Accelerator Series FPGAs

## – ACT™ 3 Family



### Features

- Up to 10,000 Gate Array Equivalent Gates (up to 25,000 equivalent PLD Gates)
- Highly Predictable Performance with 100% Automatic Placement and Routing
- 7.5 ns Clock-to-Output Times
- Up to 250 MHz On-Chip Performance
- Up to 228 User-Programmable I/O Pins
- Four Fast, Low-Skew Clock Networks
- More than 500 Macro Functions
- Replaces up to twenty 32 macro-cell CPLDs
- Replaces up to one hundred 20-pin PAL® Packages
- Up to 1153 Dedicated Flip-Flops
- VQFP, TQFP, BGA, and PQFP Packages
- Nonvolatile, User Programmable
- Fully Tested Prior to Shipment
- 5.0V and 3.3V Versions
- Optimized for Logic Synthesis Methodologies
- Low-power CMOS Technology

| Device  | A1415   | A1425    | A1440   | A1460    | A14100  |
|---|---------|----------|---------|----------|---------|
| Capacity  |         |          |         |          |         |
| Gate Array Equivalent Gates                               | 1,500   | 2,500    | 4,000   | 6,000    | 10,000  |
| PLD Equivalent Gates                                      | 3,750   | 6,250    | 10,000  | 15,000   | 25,000  |
| TTL Equivalent Packages (40 gates)                        | 40      | 60       | 100     | 150      | 250     |
| 20-Pin PAL Equivalent Packages (100 gates)                | 15      | 25       | 40      | 60       | 100     |
| Logic Modules   | 200     | 310      | 564     | 848      | 1,377   |
| S-Module  | 104     | 160      | 288     | 432      | 697     |
| C-Module  | 96      | 150      | 276     | 416      | 680     |
| Dedicated Flip-Flops <sup>1</sup>                         | 264     | 360      | 568     | 768      | 1,153   |
| User I/Os (maximum)                                       | 80      | 100      | 140     | 168      | 228     |
| Packages <sup>2</sup> (by pin count)                      |         |          |         |          |         |
| CPGA  | 100     | 133      | 175     | 207      | 257     |
| PLCC  | 84      | 84       | 84      | —        | —       |
| PQFP  | 100     | 100, 160 | 160     | 160, 208 | —       |
| RQFP  | —       | —        | —       | —        | 208     |
| VQFP  | 100     | 100      | 100     | —        | —       |
| TQFP  | —       | —        | 176     | 176      | —       |
| BGA   | —       | —        | —       | 225      | 313     |
| CQFP  | —       | 132      | —       | 196      | 256     |
| Performance <sup>3</sup> (maximum, worst-case commercial) |         |          |         |          |         |
| Chip-to-Chip <sup>4</sup>                                 | 108 MHz | 108 MHz  | 100 MHz | 97 MHz   | 93 MHz  |
| Accumulators (16-bit)                                     | 63 MHz  | 63 MHz   | 63 MHz  | 63 MHz   | 63 MHz  |
| Loadable Counter (16-bit)                                 | 110 MHz | 110 MHz  | 110 MHz | 110 MHz  | 105 MHz |
| Prescaled Loadable Counters (16-bit)                      | 250 MHz | 250 MHz  | 250 MHz | 200 MHz  | 200 MHz |
| Datapath, Shift Registers                                 | 250 MHz | 250 MHz  | 250 MHz | 200 MHz  | 200 MHz |
| Clock-to-Output (pad-to-pad)                              | 7.5 ns  | 7.5 ns   | 8.5 ns  | 9.0 ns   | 9.5 ns  |

### Notes:

1. One flip-flop per S-Module, two flip-flops per I/O-Module.
2. See product plan on page 1-178 for package availability.
3. Based on A1415A-3, A1425A-3, A1440B-3, A1460B-3, and A14100B-3.
4. Clock-to-Output + Setup

## Description

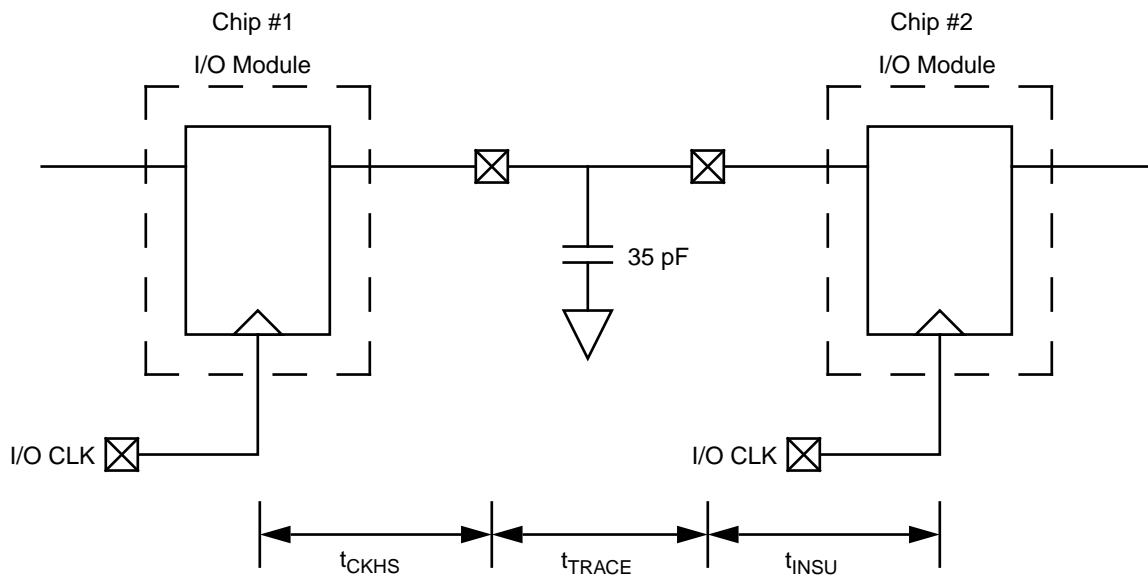
Actel's ACT 3 Accelerator Series of FPGAs offers the industry's fastest high-capacity programmable logic device. ACT 3 FPGAs offer a high performance, PCI compliant programmable solution capable of 250 MHz on-chip performance and 7.5 nanosecond clock-to-output, with capacities spanning from 1,500 to 10,000 gate array equivalent gates. For further information regarding PCI compliance of ACT 3 devices, see "Accelerator Series FPGAs—ACT 3 PCI Compliant Family."

The ACT 3 family builds on the proven two-module architecture consisting of combinatorial and sequential logic modules used in Actel's 3200DX and 1200XL families. In addition, the ACT 3 I/O modules contain registers which deliver 7.5 nanosecond clock-to-out times. The devices contain four clock distribution networks, including dedicated array and I/O clocks, supporting very fast synchronous and asynchronous designs. In addition, routed clocks can be used to drive high fanout signals such as flip-flop resets and output enables.

The ACT 3 family is supported by Actel's Designer Series Development System which offers automatic placement and routing (with automatic or fixed pin assignments), static timing analysis, user programming, and debug and diagnostic probe capabilities. The Designer Series is supported on the following platforms: 486/Pentium class PC's, Sun<sup>®</sup>, and HP<sup>®</sup>, workstations. The software provides CAE interfaces to Cadence, Mentor Graphics<sup>®</sup>, OrCAD<sup>™</sup> and Viewlogic<sup>®</sup>, design environments. Additional platforms are supported through Actel's Industry Alliance Program, including DATA I/O (ABEL FPGA) and MINC.

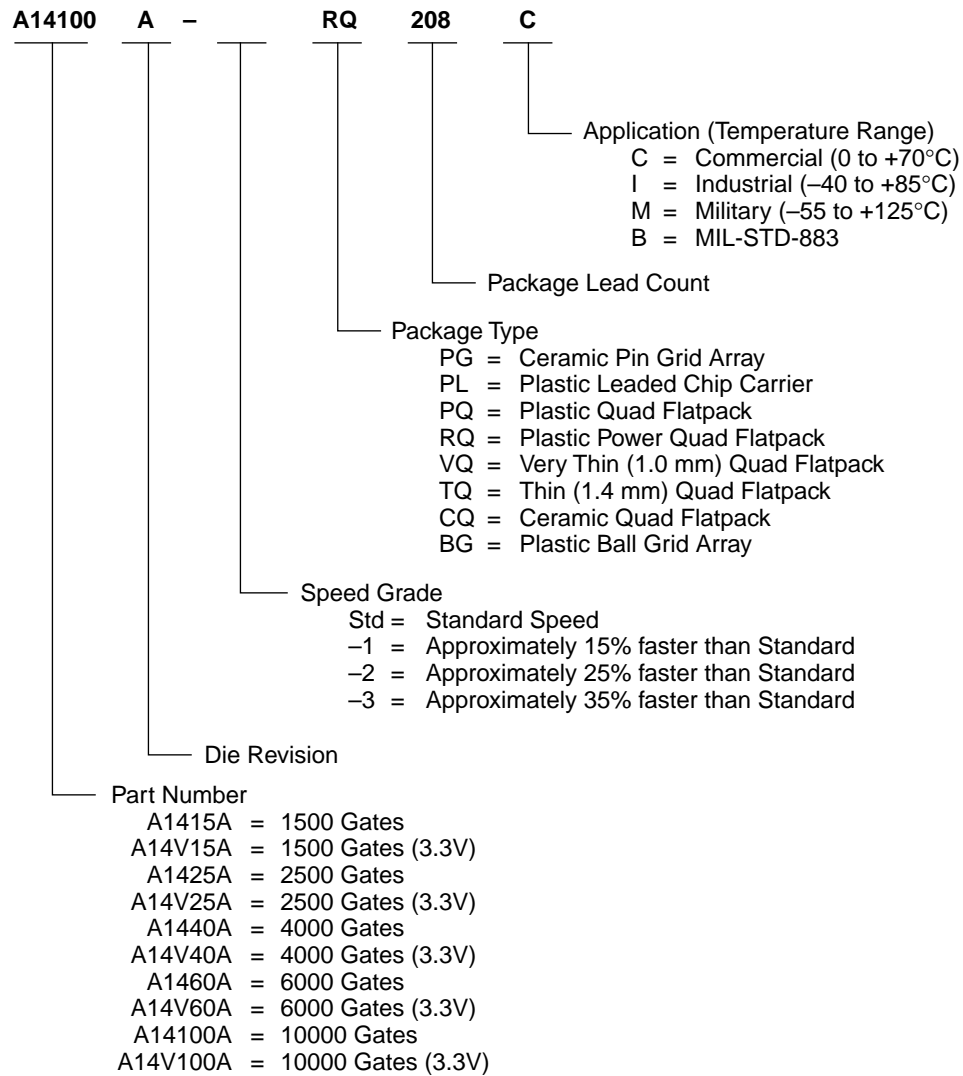
| Predictable Performance* (Worst-Case Commercial) |         |
|--|---------|
| Accumulators (16-bit)                            | 63 MHz  |
| Loadable Counters (16-bit)                       | 110 MHz |
| Prescaled Loadable Counters (16-bit)             | 250 MHz |
| Shift Registers                                  | 250 MHz |

## System Performance Model



| Chip-to-Chip Performance (Worst-Case Commercial) |            |             |            |         |     |
|--|------------|-------------|------------|---------|-----|
|  | $t_{CKHS}$ | $t_{TRACE}$ | $t_{INSU}$ | Total   | MHz |
| A1425A-3   | 7.5        | 1.0         | 1.8        | 10.3 ns | 97  |
| A1460A-3   | 9.0        | 1.0         | 1.3        | 11.3 ns | 88  |

## Ordering Information



## Product Plan

|   | Speed Grade* |    |    |    | Application |   |   |   |
|---|--------------|----|----|----|-------------|---|---|---|
|   | Std          | -1 | -2 | -3 | C           | I | M | B |
| <b>A1415A Device</b>                      |              |    |    |    |             |   |   |   |
| 84-pin Plastic Leaded Chip Carrier (PLCC) | ✓            | ✓  | ✓  | ✓  | ✓           | ✓ | — | — |
| 100-pin Plastic Quad Flatpack (PQFP)      | ✓            | ✓  | ✓  | ✓  | ✓           | ✓ | — | — |
| 100-pin Very Thin Quad Flatpack (VQFP)    | ✓            | ✓  | ✓  | ✓  | ✓           | ✓ | — | — |
| 100-pin Ceramic Pin Grid Array (CPGA)     | ✓            | ✓  | ✓  | ✓  | ✓           | — | — | — |
| <b>A14V15A Device</b>                     |              |    |    |    |             |   |   |   |
| 84-pin Plastic Leaded Chip Carrier (PLCC) | ✓            | —  | —  | —  | ✓           | — | — | — |
| 100-pin Very Thin Quad Flatpack (VQFP)    | ✓            | —  | —  | —  | ✓           | — | — | — |
| <b>A1425A Device</b>                      |              |    |    |    |             |   |   |   |
| 84-pin Plastic Leaded Chip Carrier (PLCC) | ✓            | ✓  | ✓  | ✓  | ✓           | ✓ | — | — |
| 100-pin Plastic Quad Flatpack (PQFP)      | ✓            | ✓  | ✓  | ✓  | ✓           | ✓ | — | — |
| 100-pin Very Thin Quad Flatpack (VQFP)    | ✓            | ✓  | ✓  | ✓  | ✓           | ✓ | — | — |
| 132-pin Ceramic Quad Flatpack (CQFP)      | ✓            | ✓  | —  | —  | ✓           | — | ✓ | ✓ |
| 133-pin Ceramic Pin Grid Array (CPGA)     | ✓            | ✓  | ✓† | ✓† | ✓           | — | ✓ | ✓ |
| 160-pin Plastic Quad Flatpack (PQFP)      | ✓            | ✓  | ✓  | ✓  | ✓           | ✓ | — | — |
| <b>A14V25A Device</b>                     |              |    |    |    |             |   |   |   |
| 84-pin Plastic Leaded Chip Carrier (PLCC) | ✓            | —  | —  | —  | ✓           | — | — | — |
| 100-pin Very Thin Quad Flatpack (VQFP)    | ✓            | —  | —  | —  | ✓           | — | — | — |
| 160-pin Plastic Quad Flatpack (PQFP)      | ✓            | —  | —  | —  | ✓           | — | — | — |
| <b>A1440A Device</b>                      |              |    |    |    |             |   |   |   |
| 84-pin Plastic Leaded Chip Carrier (PLCC) | ✓            | ✓  | ✓  | ✓  | ✓           | ✓ | — | — |
| 100-pin Very Thin Quad Flatpack (VQFP)    | ✓            | ✓  | ✓  | ✓  | ✓           | — | — | — |
| 160-pin Plastic Quad Flatpack (PQFP)      | ✓            | ✓  | ✓  | ✓  | ✓           | ✓ | — | — |
| 175-pin Ceramic Pin Grid Array (CPGA)     | ✓            | ✓  | ✓  | ✓  | ✓           | — | — | — |
| 176-pin Thin Quad Flatpack (TQFP)         | ✓            | ✓  | ✓  | ✓  | ✓           | — | — | — |
| <b>A14V40A Device</b>                     |              |    |    |    |             |   |   |   |
| 84-pin Plastic Leaded Chip Carrier (PLCC) | ✓            | —  | —  | —  | ✓           | — | — | — |
| 100-pin Very Thin Quad Flatpack (VQFP)    | ✓            | —  | —  | —  | ✓           | — | — | — |
| 160-pin Plastic Quad Flatpack (PQFP)      | ✓            | —  | —  | —  | ✓           | — | — | — |
| 176-pin Thin Quad Flatpack (TQFP)         | ✓            | —  | —  | —  | ✓           | — | — | — |
| <b>A1460A Device</b>                      |              |    |    |    |             |   |   |   |
| 160-pin Plastic Quad Flatpack (PQFP)      | ✓            | ✓  | ✓  | P  | ✓           | ✓ | — | — |
| 176-pin Thin Quad Flatpack (TQFP)         | ✓            | ✓  | ✓  | P  | ✓           | ✓ | — | — |
| 196-pin Ceramic Quad Flatpack (CQFP)      | ✓            | ✓  | —  | —  | ✓           | — | ✓ | ✓ |
| 207-pin Ceramic Pin Grid Array (CPGA)     | ✓            | ✓  | ✓† | P† | ✓           | — | ✓ | ✓ |
| 208-pin Plastic Quad Flatpack (PQFP)      | ✓            | ✓  | ✓  | P  | ✓           | ✓ | — | — |
| 225-pin Plastic Ball Grid Array (BGA)     | ✓            | ✓  | ✓  | P  | ✓           | — | — | — |

**Applications:** C = Commercial    **Availability:** ✓ = Available    \*Speed Grade: -1 = Approx. 15% faster than Standard  
I = Industrial                            P = Planned                            -2 = Approx. 25% faster than Standard  
M = Military                                — = Not Planned                      -3 = Approx. 35% faster than Standard.  
B = MIL-STD-883  
† Commercial Only



## Hermetic Device Resources

| Device Series | Logic Modules | Gates | User I/Os |         |         |         |         |         |         |         |     |
|---------------|---------------|-------|-----------|---------|---------|---------|---------|---------|---------|---------|-----|
|               |               |       | CPGA      |         |         |         |         | CQFP    |         |         |     |
|               |               |       | 100-pin   | 133-pin | 175-pin | 207-pin | 257-pin | 132-pin | 196-pin | 256-pin |     |
| A1415         | 200           | 1500  | 80        | —       | —       | —       | —       | —       | —       | —       | —   |
| A1425         | 310           | 2500  | —         | 100     | —       | —       | —       | —       | 100     | —       | —   |
| A1440         | 564           | 4000  | —         | —       | 140     | —       | —       | —       | —       | —       | —   |
| A1460         | 848           | 6000  | —         | —       | —       | 168     | —       | —       | —       | 168     | —   |
| A14100        | 1377          | 10000 | —         | —       | —       | —       | —       | 228     | —       | —       | 228 |

### Pin Description

**CLKA** Clock A (Input)

Clock input for clock distribution networks. The Clock input is buffered prior to clocking the logic modules. This pin can also be used as an I/O.

**CLKB** Clock B (Input)

Clock input for clock distribution networks. The Clock input is buffered prior to clocking the logic modules. This pin can also be used as an I/O.

**GND** Ground

LOW supply voltage.

**HCLK** Dedicated (Hard-wired)  
Array Clock (Input)

Clock input for sequential modules. This input is directly wired to each S-Module and offers clock speeds independent of the number of S-Modules being driven. This pin can also be used as an I/O.

**I/O** Input/Output (Input, Output)

The I/O pin functions as an input, output, three-state, or bidirectional buffer. Input and output levels are compatible with standard TTL and CMOS specifications. Unused I/O pins are tristated by the Designer Series software.

**IOCLK** Dedicated (Hard-wired)  
I/O Clock (Input)

Clock input for I/O modules. This input is directly wired to each I/O module and offers clock speeds independent of the number of I/O modules being driven. This pin can also be used as an I/O.

**IOPCL** Dedicated (Hard-wired)  
I/O Preset/Clear (Input)

Input for I/O preset or clear. This global input is directly wired to the preset and clear inputs of all I/O registers. This pin functions as an I/O when no I/O preset or clear macros are used.

**MODE** Mode (Input)

The MODE pin controls the use of diagnostic pins (DCLK, PRA, PRB, SDI). When the MODE pin is HIGH, the special functions are active. When the MODE pin is LOW, the pins

function as I/Os. To provide Actionprobe capability, the MODE pin should be terminated to GND through a 10K resistor so that the MODE pin can be pulled high when required.

**NC** No Connection

This pin is not connected to circuitry within the device.

**PRA** Probe A (Output)

The Probe A pin is used to output data from any user-defined design node within the device. This independent diagnostic pin can be used in conjunction with the Probe B pin to allow real-time diagnostic output of any signal path within the device. The Probe A pin can be used as a user-defined I/O when debugging has been completed. The pin's probe capabilities can be permanently disabled to protect programmed design confidentiality. PRA is accessible when the MODE pin is HIGH. This pin functions as an I/O when the MODE pin is LOW.

**PRB** Probe B (Output)

The Probe B pin is used to output data from any user-defined design node within the device. This independent diagnostic pin can be used in conjunction with the Probe A pin to allow real-time diagnostic output of any signal path within the device. The Probe B pin can be used as a user-defined I/O when debugging has been completed. The pin's probe capabilities can be permanently disabled to protect programmed design confidentiality. PRB is accessible when the MODE pin is HIGH. This pin functions as an I/O when the MODE pin is LOW.

**SDI** Serial Data Input (Input)

Serial data input for diagnostic probe and device programming. SDI is active when the MODE pin is HIGH. This pin functions as an I/O when the MODE pin is LOW.

**DCLK** Diagnostic Clock (Input)

Clock input for diagnostic probe and device programming. DCLK is active when the MODE pin is HIGH. This pin functions as an I/O when the MODE pin is LOW.

**V<sub>CC</sub>** 5 V Supply Voltage  
HIGH supply voltage.

## Architecture

This section of the data sheet is meant to familiarize the user with the architecture of the ACT 3 family of FPGA devices. A generic description of the family will be presented first, followed by a detailed description of the logic blocks, the routing structure, the antifuses, and the special function circuits. The on-chip circuitry required to program the devices is not covered.

### Topology

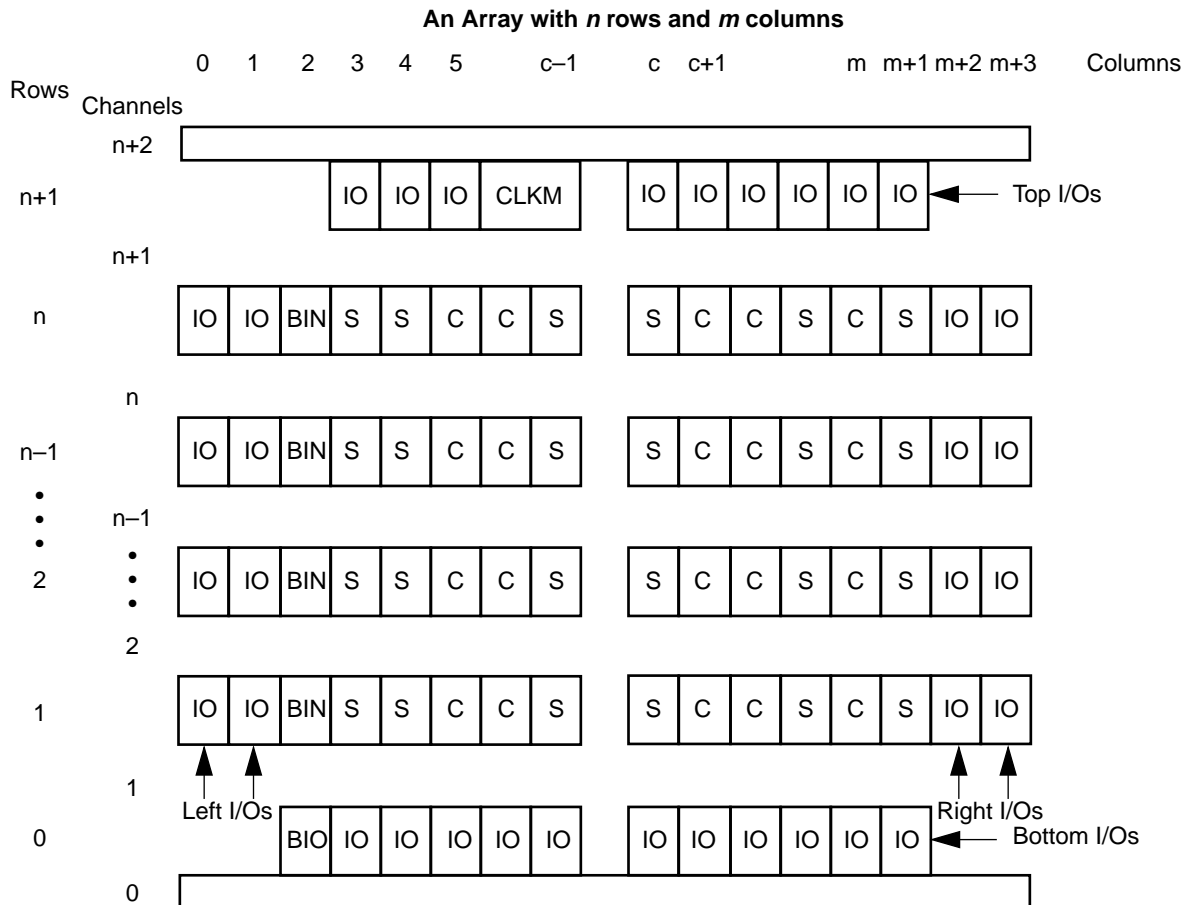
The ACT 3 family architecture is composed of six key elements: Logic modules, I/O modules, I/O Pad Drivers, Routing Tracks, Clock Networks, and Programming and Test Circuits. The basic structure is similar for all devices in the family, differing only in the number of rows, columns, and I/Os. The array itself consists of alternating rows of modules and channels. The logic modules and channels are in the center of the array; the I/O modules are located along the array periphery. A simplified floor plan is depicted in Figure 1.

### Logic Modules

ACT 3 logic modules are enhanced versions of the 1200XL family logic modules. As in the 1200XL family, there are two types of modules: C-modules and S-modules. The C-module is functionally equivalent to the 1200XL C-module and implements high fanin combinatorial macros, such as 5-input AND, 5-input OR, and so on. It is available for use as the CM8 hard macro. The S-module is designed to implement high-speed sequential functions within a single module. S-modules consist of a full C-module driving a flip-flop, which allows an additional level of logic to be implemented without additional propagation delay. It is available for use as the DFM8A/B and DLM8A/B hard macros. C-modules and S-modules are arranged in pairs called module-pairs. Module-pairs are arranged in alternating patterns and make up the bulk of the array. This arrangement allows the placement software to support two-module macros of four types (CC, CS, SC, and SS). The C-module implements the following function:

$$Y = !S1 * !S0 * D00 + !S1 * S0 * D01 + S1 * !S0 * D10 + S1 * S0 * D11$$

$$\text{where: } S0 = A0 * B0 \text{ and } S1 = A1 + B1$$



**Figure 1 • Generalized Floor Plan of ACT 3 Device**

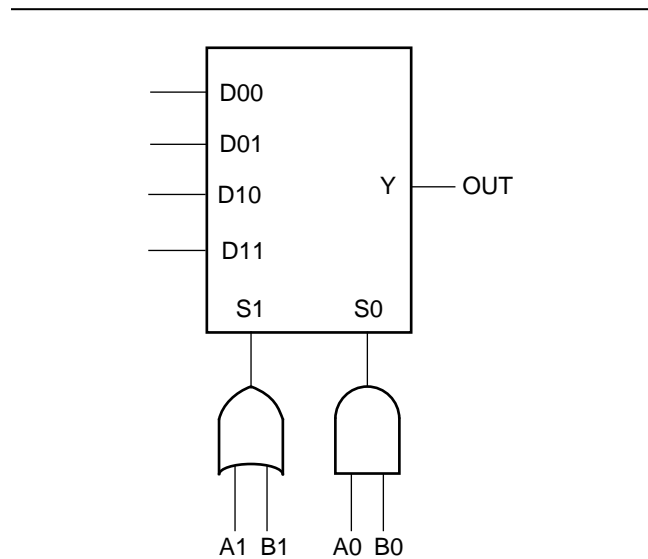
The S-module contains a full implementation of the C-module plus a clearable sequential element that can either implement a latch or flip-flop function. The S-module can therefore implement any function implemented by the C-module. This allows complex combinatorial-sequential functions to be implemented with no delay penalty. The Designer Series Development System will automatically combine any C-module macro driving an S-module macro into the S-module, thereby freeing up a logic module and eliminating a module delay.

The clear input CLR is accessible from the routing channel. In addition, the clock input may be connected to one of three clock networks: CLKA, CLKB, or HCLK. The C-module and S-module functional descriptions are shown in Figures 2 and 3. The clock selection is determined by a multiplexor select at the clock input to the S-module.

I/Os

### I/O Modules

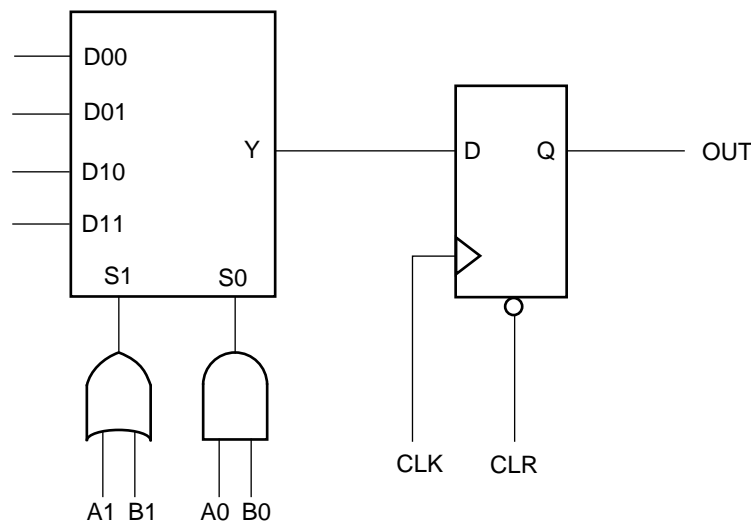
I/O modules provide an interface between the array and the I/O Pad Drivers. I/O modules are located in the array and access the routing channels in a similar fashion to logic modules. The I/O module schematic is shown in Figure 4. The signals DataIn and DataOut connect to the I/O pad driver. Each I/O module contains two D-type flip-flops. Each flip-flop is connected to the dedicated I/O clock (IOCLK). Each flip-flop can be bypassed by nonsequential I/Os. In addition, each flip-flop contains a data enable input that can be accessed from the routing channels (ODE and IDE). The asynchronous preset/clear input is driven by the dedicated



**Figure 2 • C-Module Diagram**

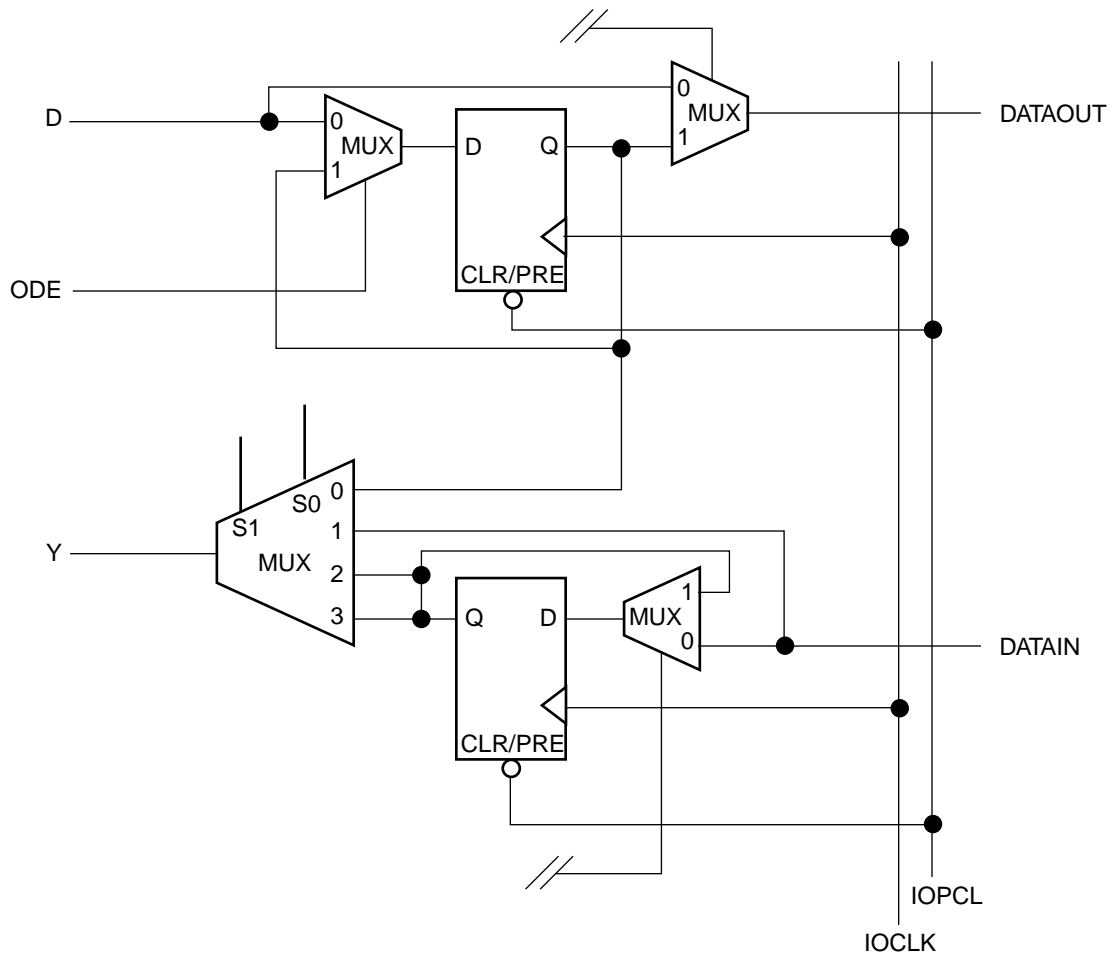
preset/clear network (IOPCL). Either preset or clear can be selected individually on an I/O module by I/O module basis.

The I/O module output Y is used to bring Pad signals into the array *or* to feed the output register back into the array. This allows the output register to be used in high-speed state machine applications. Side I/O modules have a dedicated output segment for Y extending into the routing channels above and below (similar to logic modules). Top/Bottom I/O modules have no dedicated output segment. Signals coming into the chip from the top or bottom are routed using F-fuses and LVTs (F-fuses and LVTs are explained in detail in the routing section).



**Figure 3 • S-Module Diagram**





**Figure 4 • Functional Diagram for I/O Module**

### I/O Pad Drivers

All pad drivers are capable of being tristate. Each buffer connects to an associated I/O module with four signals: OE (Output Enable), IE (Input Enable), DataOut, and DataIn. Certain special signals used only during programming and test also connect to the pad drivers: OUTEN (global output enable), INEN (global input enable), and SLEW (individual slew selection). See Figure 5.

### Special I/Os

The special I/Os are of two types: temporary and permanent. Temporary special I/Os are used during programming and testing. They function as normal I/Os when the MODE pin is inactive. Permanent special I/Os are user programmed as either normal I/Os or special I/Os. Their function does not change once the device has been programmed. The permanent special I/Os consist of the array clock input buffers (CLKA and CLKB), the hard-wired array clock input buffer (HCLK), the hard-wired I/O clock input buffer (IOCLK), and the hard-wired I/O register preset/clear input

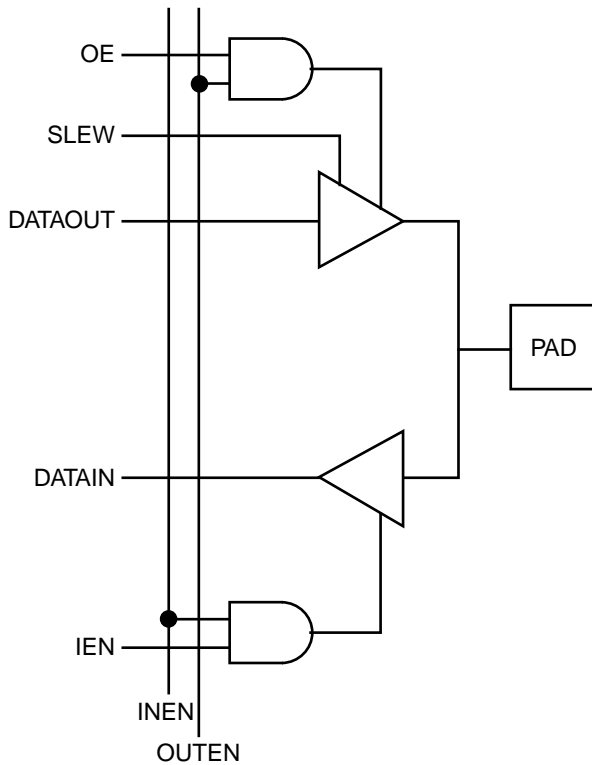
buffer (IOPL). Their function is determined by the I/O macros selected.

### Clock Networks

The ACT 3 architecture contains four clock networks: two high-performance dedicated clock networks and two general purpose routed networks. The high-performance networks function up to 200 MHz, while the general purpose routed networks function up to 150 MHz.

### Dedicated Clocks

Dedicated clock networks support high performance by providing sub-nanosecond skew and guaranteed performance. Dedicated clock networks contain no programming elements in the path from the I/O Pad Driver to the input of S-modules or I/O modules. There are two dedicated clock networks: one for the array registers (HCLK), and one for the I/O registers (IOCLK). The clock networks are accessed by special I/Os.



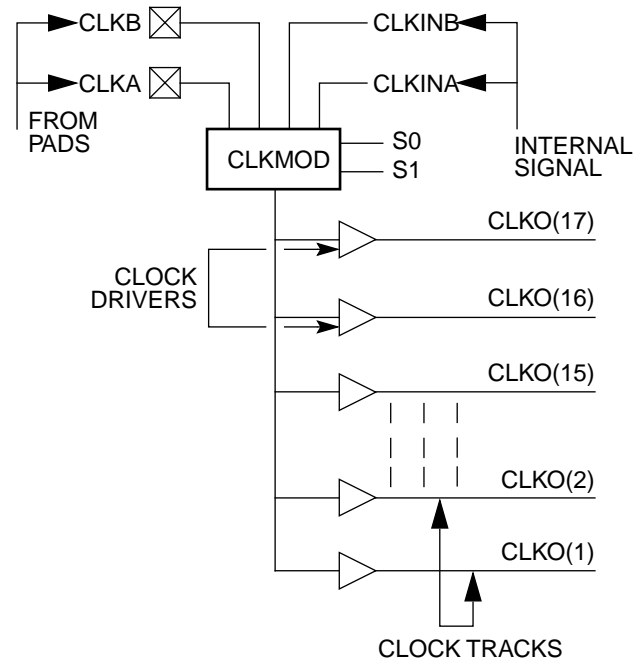
**Figure 5 • Function Diagram for I/O Pad Driver**

### Routed Clocks

The routed clock networks are referred to as CLK0 and CLK1. Each network is connected to a clock module (CLKMOD) that selects the source of the clock signal and may be driven as follows (see Figure 6):

- externally from the CLKA pad
- externally from the CLKB pad
- internally from the CLKINA input
- internally from the CLKINB input

The clock modules are located in the top row of I/O modules. Clock drivers and a dedicated horizontal clock track are located in each horizontal routing channel. The function of the clock module is determined by the selection of clock macros from the macro library. The macro CLKBUF is used to connect one of the two external clock pins to a clock network, and the macro CLKINT is used to connect an internally generated clock signal to a clock network. Since both clock networks are identical, the user does not care whether CLK0 or CLK1 is being used. Routed clocks can also be used to drive high fanout nets like resets, output enables, or data enables. This saves logic modules and results in performance increases in some cases.



**Figure 6 • Clock Networks**

### Routing Structure

The ACT 3 architecture uses vertical and horizontal routing tracks to connect the various logic and I/O modules. These routing tracks are metal interconnects that may either be of continuous length or broken into segments. Segments can be joined together at the ends using antifuses to increase their lengths up to the full length of the track.

#### Horizontal Routing

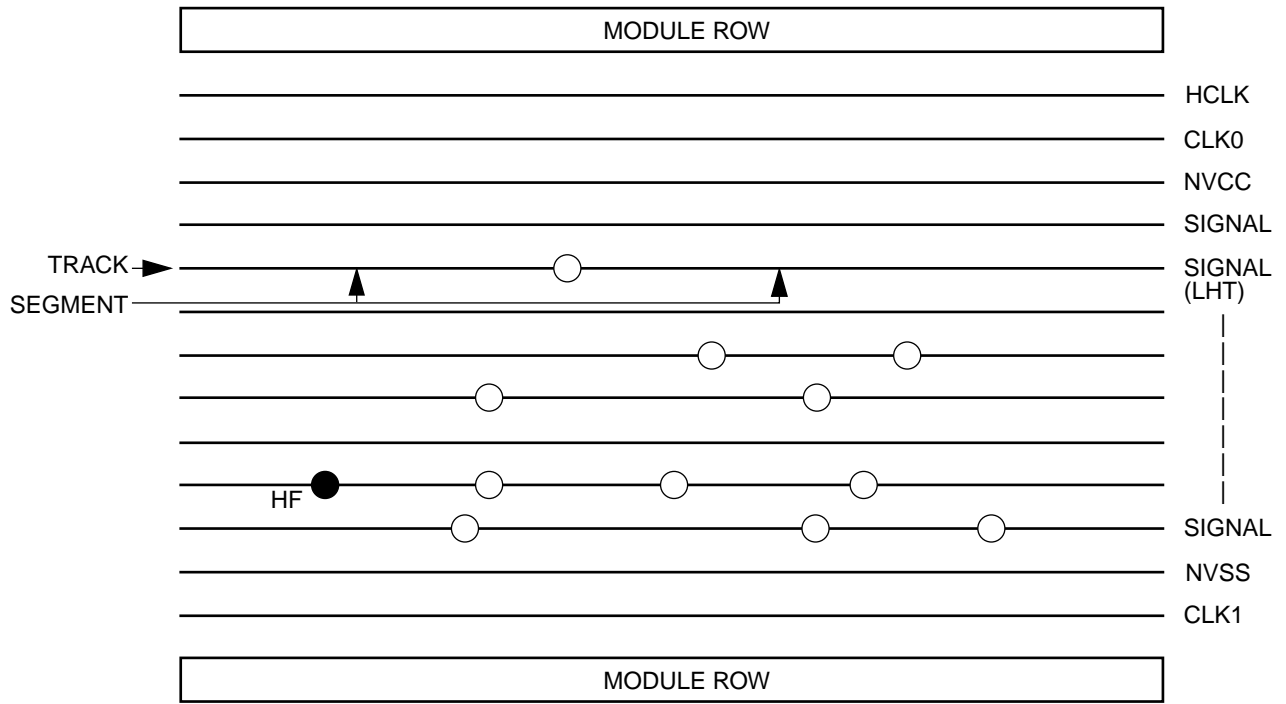
Horizontal channels are located between the rows of modules and are composed of several routing tracks. The horizontal routing tracks within the channel are divided into one or more segments. The minimum horizontal segment length is the width of a module-pair, and the maximum horizontal segment length is the full length of the channel. Any segment that spans more than one-third the row length is considered a long horizontal segment. A typical channel is shown in Figure 7. Undedicated horizontal routing tracks are used to route signal nets. Dedicated routing tracks are used for the global clock networks and for power and ground tie-off tracks.

#### Vertical Routing

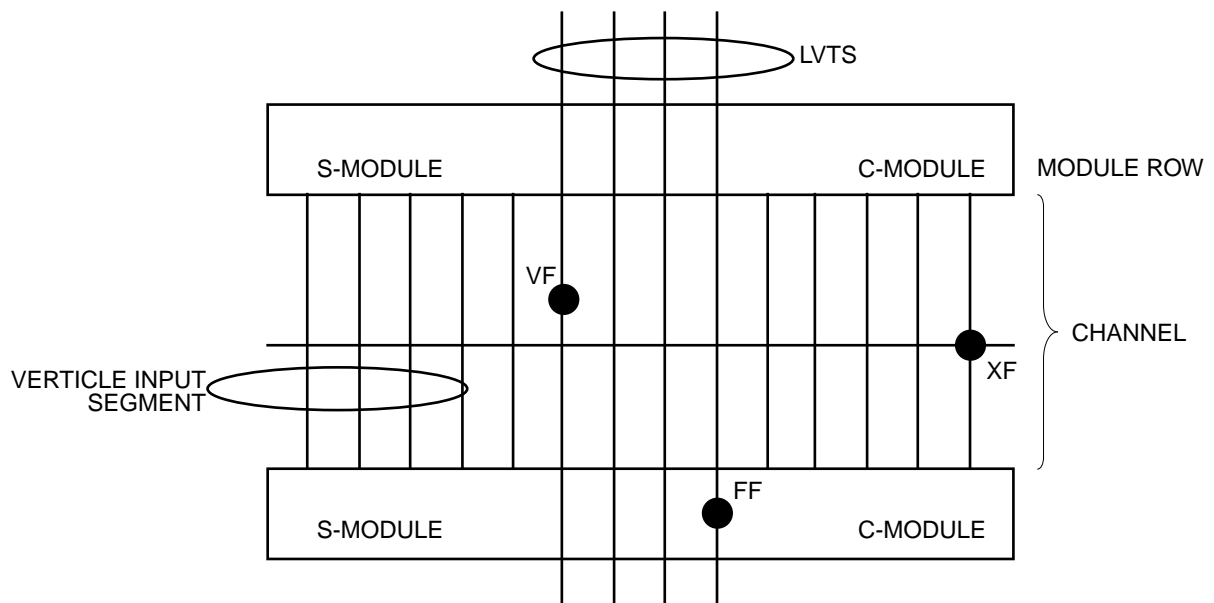
Other tracks run vertically through the modules. Vertical tracks are of three types: input, output, and long. Vertical tracks are also divided into one or more segments. Each segment in an input track is dedicated to the input of a particular module. Each segment in an output track is dedicated to the output of a particular module. Long segments are uncommitted and can be assigned during

routing. Each output segment spans four channels (two above and two below), except near the top and bottom of the array where edge effects occur. LVTs contain either one or two

segments. An example of vertical routing tracks and segments is shown in Figure 8.



**Figure 7 • Horizontal Routing Tracks and Segments**



**Figure 8 • Vertical Routing Tracks and Segments**

## Antifuse Connections

An antifuse is a “normally open” structure as opposed to the normally closed fuse structure used in PROMs or PALs. The use of antifuses to implement a programmable logic device results in highly testable structures as well as an efficient programming architecture. The structure is highly testable because there are no preexisting connections; temporary connections can be made using pass transistors. These temporary connections can isolate individual antifuses to be programmed as well as isolate individual circuit structures to be tested. This can be done both before and after programming. For example, all metal tracks can be tested for continuity and shorts between adjacent tracks, and the functionality of all logic modules can be verified.

Four types of antifuse connections are used in the routing structure of the ACT 3 array. (The physical structure of the antifuse is identical in each case; only the usage differs.) Table 1 shows four types of antifuses.

**Table 1 • Antifuse Types**

|    |                                     |
|----|-------------------------------------|
| XF | Horizontal-to-Vertical Connection   |
| HF | Horizontal-to-Horizontal Connection |
| VF | Vertical-to-Vertical Connection     |
| FF | “Fast” Vertical Connection          |

Examples of all four types of connections are shown in Figures 7 and 8.

### Module Interface

Connections to Logic and I/O modules are made through vertical segments that connect to the module inputs and outputs. These vertical segments lie on vertical tracks that span the entire height of the array.

### Module Input Connections

The tracks dedicated to module inputs are segmented by pass transistors in each module row. During normal user operation, the pass transistors are inactive, which isolates the inputs of a module from the inputs of the module directly above or below it. During certain test modes, the pass transistors are active to verify the continuity of the metal tracks. Vertical input segments span only the channel above

or the channel below. The logic modules are arranged such that half of the inputs are connected to the channel above and half of the inputs to segments in the channel below as shown in Figure 9.

### Module Output Connections

Module outputs have dedicated output segments. Output segments extend vertically two channels above and two channels below, except at the top or bottom of the array. Output segments twist, as shown in Figure 10, so that only four vertical tracks are required.

### LVT Connections

Outputs may also connect to nondedicated segments called Long Vertical Tracks (LVTs). Each module pair in the array shares four LVTs that span the length of the column. Any module in the column pair can connect to one of the LVTs in the column using an FF connection. The FF connection uses antifuses connected directly to the driver stage of the module output, bypassing the isolation transistor. FF antifuses are programmed at a higher current level than HF, VF, or XF antifuses to produce a lower resistance value.

### Antifuse Connections

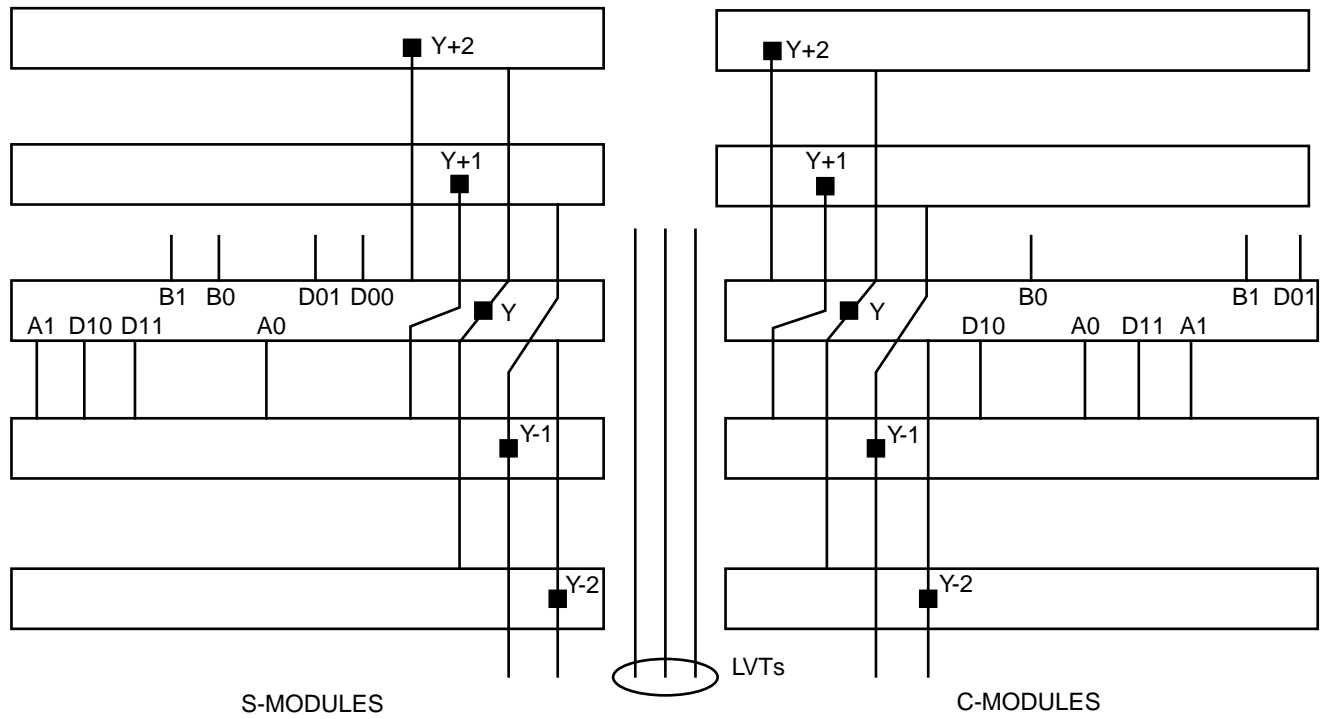
In general every intersection of a vertical segment and a horizontal segment contains an unprogrammed antifuse (XF-type). One exception is in the case of the clock networks.

### Clock Connections

To minimize loading on the clock networks, a subset of inputs has antifuses on the clock tracks. Only a few of the C-module and S-module inputs can be connected to the clock networks. To further reduce loading on the clock network, only a subset of the horizontal routing tracks can connect to the clock inputs of the S-module.

### Programming and Test Circuits

The array of logic and I/O modules is surrounded by test and programming circuits controlled by the temporary special I/O pins MODE, SDI, and DCLK. The function of these pins is similar to all ACT family devices. The ACT 3 family also includes support for two Actionprobe<sup>®</sup> circuits allowing complete observability of any logic or I/O module in the array using the temporary special I/O pins, PRA and PRB.



**Figure 9 • Logic Module Routing Interface**

## 5V Operating Conditions

### Absolute Maximum Ratings<sup>1</sup>

Free air temperature range

| Symbol           | Parameter                            | Limits                        | Units |
|------------------|--------------------------------------|-------------------------------|-------|
| V <sub>CC</sub>  | DC Supply Voltage                    | -0.5 to +7.0                  | V     |
| V <sub>I</sub>   | Input Voltage                        | -0.5 to V <sub>CC</sub> + 0.5 | V     |
| V <sub>O</sub>   | Output Voltage                       | -0.5 to V <sub>CC</sub> + 0.5 | V     |
| I <sub>IO</sub>  | I/O Source Sink Current <sup>2</sup> | ±20                           | mA    |
| T <sub>STG</sub> | Storage Temperature                  | -65 to +150                   | °C    |

**Notes:**

1. Stresses beyond those listed under “Absolute Maximum Ratings” may cause permanent damage to the device. Exposure to absolute maximum rated conditions for extended periods may affect device reliability. Device should not be operated outside the Recommended Operating Conditions.
2. Device inputs are normally high impedance and draw extremely low current. However, when input voltage is greater than V<sub>CC</sub> + 0.5 V or less than GND - 0.5 V, the internal protection diodes will forward bias and can draw excessive current.

### Recommended Operating Conditions

| Parameter                      | Commercial | Industrial | Military    | Units            |
|--------------------------------|------------|------------|-------------|------------------|
| Temperature Range <sup>1</sup> | 0 to +70   | -40 to +85 | -55 to +125 | °C               |
| 5V Power Supply Tolerance      | ±5         | ±10        | ±10         | %V <sub>CC</sub> |

**Note:**

1. Ambient temperature (T<sub>A</sub>) is used for commercial and industrial; case temperature (T<sub>C</sub>) is used for military.

## Electrical Specifications

| Symbol                         | Parameter   | Test Condition                              | Commercial |                       | Industrial |                       | Military |                       | Units |
|--------------------------------|---|---|------------|-----------------------|------------|-----------------------|----------|-----------------------|-------|
|                                |   |   | Min.       | Max.                  | Min.       | Max.                  | Min.     | Max.                  |       |
| V <sub>OH</sub> <sup>1,2</sup> | HIGH Level Output   | I <sub>OH</sub> = -4 mA (CMOS)              |            |                       | 3.7        |                       | 3.7      |                       | V     |
|                                |   | I <sub>OH</sub> = -6 mA (CMOS)              | 3.84       |                       |            |                       |          | V                     |       |
|                                |   | I <sub>OH</sub> = -10 mA (TTL) <sup>3</sup> | 2.40       |                       |            |                       |          | V                     |       |
| V <sub>OL</sub> <sup>1,2</sup> | LOW Level Output  | I <sub>OL</sub> = +6 mA (CMOS)              |            | 0.33                  |            | 0.4                   |          | 0.4                   | V     |
|                                |   | I <sub>OL</sub> = +12 mA (TTL) <sup>3</sup> |            | 0.50                  |            |                       |          |                       | V     |
| V <sub>IH</sub>                | HIGH Level Input  | TTL Inputs                                  | 2.0        | V <sub>CC</sub> + 0.3 | 2.0        | V <sub>CC</sub> + 0.3 | 2.0      | V <sub>CC</sub> + 0.3 | V     |
| V <sub>IL</sub>                | LOW Level Input   | TTL Inputs                                  | -0.3       | 0.8                   | -0.3       | 0.8                   | -0.3     | 0.8                   | V     |
| I <sub>IN</sub>                | Input Leakage   | V <sub>I</sub> = V <sub>CC</sub> or GND     | -10        | +10                   | -10        | +10                   | -10      | +10                   | µA    |
| I <sub>OZ</sub>                | 3-state Output Leakage                                    | V <sub>O</sub> = V <sub>CC</sub> or GND     | -10        | +10                   | -10        | +10                   | -10      | +10                   | µA    |
| C <sub>IO</sub>                | I/O Capacitance <sup>3,4</sup>                            |   |            | 10                    |            | 10                    |          | 10                    | pF    |
| I <sub>CC(S)</sub>             | Standby V <sub>CC</sub> Supply Current (typical = 0.7 mA) |   |            | 2                     |            | 10                    |          | 20                    | mA    |
| I <sub>CC(D)</sub>             | Dynamic V <sub>CC</sub> Supply Current                    | See “Power Dissipation” Section             |            |                       |            |                       |          |                       |       |

**Notes:**

1. Actel devices can drive and receive either CMOS or TTL signal levels. No assignment of I/Os as TTL or CMOS is required.
2. Tested one output at a time, V<sub>CC</sub> = min.
3. Not tested, for information only.
4. V<sub>OUT</sub> = 0V, f = 1 MHz.
5. Typical standby current = 0.7 mA. All outputs unloaded. All inputs = V<sub>CC</sub> or GND.

### 3.3V Operating Conditions

#### Absolute Maximum Ratings<sup>1</sup>

Free air temperature range

| Symbol    | Parameter                            | Limits                 | Units |
|-----------|--------------------------------------|------------------------|-------|
| $V_{CC}$  | DC Supply Voltage                    | -0.5 to +7.0           | V     |
| $V_I$     | Input Voltage                        | -0.5 to $V_{CC} + 0.5$ | V     |
| $V_O$     | Output Voltage                       | -0.5 to $V_{CC} + 0.5$ | V     |
| $I_{IO}$  | I/O Source Sink Current <sup>2</sup> | $\pm 20$               | mA    |
| $T_{STG}$ | Storage Temperature                  | -65 to +150            | °C    |

**Notes:**

1. Stresses beyond those listed under “Absolute Maximum Ratings” may cause permanent damage to the device. Exposure to absolute maximum rated conditions for extended periods may affect device reliability. Device should not be operated outside the Recommended Operating Conditions.
2. Device inputs are normally high impedance and draw extremely low current. However, when input voltage is greater than  $V_{CC} + 0.5$  V or less than  $GND - 0.5$  V, the internal protection diodes will forward bias and can draw excessive current.

#### Electrical Specifications

| Parameter   | Commercial            |                | Units   |
|---|-----------------------|----------------|---------|
|   | Min.                  | Max.           |         |
| $V_{OH}$ <sup>1</sup>                                     | ( $I_{OH} = -4$ mA)   | 2.15           | V       |
|   | ( $I_{OH} = -3.2$ mA) | 2.4            | V       |
| $V_{OL}$ <sup>1</sup>                                     | ( $I_{OL} = 6$ mA)    | 0.4            | V       |
| $V_{IL}$  | -0.3                  | 0.8            | V       |
| $V_{IH}$  | 2.0                   | $V_{CC} + 0.3$ | V       |
| Input Transition Time $t_R, t_F$ <sup>2</sup>             |                       | 500            | ns      |
| $C_{IO}$ I/O Capacitance <sup>2, 3</sup>                  |                       | 10             | pF      |
| Standby Current, $I_{CC}$ <sup>4</sup> (typical = 0.3 mA) |                       | 0.75           | mA      |
| Leakage Current <sup>5</sup>                              | -10                   | 10             | $\mu$ A |

**Notes:**

1. Only one output tested at a time.  $V_{CC} = \text{min.}$
2. Not tested, for information only.
3. Includes worst-case 84-pin PLCC package capacitance.  $V_{OUT} = 0$  V,  $f = 1$  MHz.
4. Typical standby current = 0.3 mA. All outputs unloaded. All inputs =  $V_{CC}$  or  $GND$ .
5.  $V_O, V_{IN} = V_{CC}$  or  $GND$ .

#### Recommended Operating Conditions

| Parameter                      | Commercial | Units |
|--------------------------------|------------|-------|
| Temperature Range <sup>1</sup> | 0 to +70   | °C    |
| Power Supply Tolerance         | 3.0 to 3.6 | V     |

**Note:**

1. Ambient temperature ( $T_A$ ) is used for commercial.

## Package Thermal Characteristics

The device junction to case thermal characteristic is  $\theta_{jc}$ , and the junction to ambient air characteristic is  $\theta_{ja}$ . The thermal characteristics for  $\theta_{ja}$  are shown with two different air flow rates.

Maximum junction temperature is 150°C.

A sample calculation of the absolute maximum power dissipation allowed for a CPGA 175-pin package at commercial temperature and still air is as follows:

$$\text{Absolute Maximum Power Allowed} = \frac{\text{Max. junction temp. (°C)} - \text{Max. ambient temp. (°C)}}{\theta_{ja} \text{ (°C/W)}} = \frac{150^{\circ}\text{C} - 70^{\circ}\text{C}}{25^{\circ}\text{C/W}} = 3.2 \text{ W}$$

| Package Type <sup>1</sup>   | Pin Count | $\theta_{jc}$ | $\theta_{ja}$<br>Still Air | $\theta_{ja}$<br>300 ft/min | Units |
|-----------------------------|-----------|---------------|----------------------------|-----------------------------|-------|
| Ceramic Pin Grid Array      | 100       | 20            | 35                         | 17                          | °C/W  |
|                             | 133       | 20            | 30                         | 15                          | °C/W  |
|                             | 175       | 20            | 25                         | 14                          | °C/W  |
|                             | 207       | 20            | 22                         | 13                          | °C/W  |
|                             | 257       | 20            | 15                         | 8                           | °C/W  |
| Ceramic Quad Flatpack       | 132       | 13            | 55                         | 30                          | °C/W  |
|                             | 196       | 13            | 36                         | 24                          | °C/W  |
|                             | 256       | 13            | 30                         | 18                          | °C/W  |
| Plastic Quad Flatpack       | 100       | 13            | 51                         | 40                          | °C/W  |
|                             | 160       | 10            | 33                         | 26                          | °C/W  |
|                             | 208       | 10            | 33                         | 26                          | °C/W  |
| Very Thin Quad Flatpack     | 100       | 12            | 43                         | 35                          | °C/W  |
| Thin Quad Flatpack          | 176       | 11            | 32                         | 25                          | °C/W  |
| Power Quad Flatpack         | 208       | 0.4           | 17                         | 13                          | °C/W  |
| Plastic Leaded Chip Carrier | 84        | 12            | 37                         | 28                          | °C/W  |
| Plastic Ball Grid Array     | 225       | 10            | 25                         | 19                          | °C/W  |
|                             | 313       | 10            | 23                         | 17                          | °C/W  |

**Note:**

1. Maximum Power Dissipation in Still Air for 160-pin PQFP package is 2.4 Watts, 208-pin PQFP package is 2.4 Watts, 100-pin PQFP package is 1.6 Watts, 100-pin VQFP package is 1.9 Watts, 176-pin TQFP package is 2.5 Watts, 84-pin PLCC package is 2.2 Watts, 208-pin RQFP package is 4.7 Watts, 225-pin BGA package is 3.2 Watts, 313-pin BGA package is 3.5 Watts.

## Power Dissipation

$$P = [I_{CC \text{ standby}} + I_{\text{active}}] * V_{CC} + I_{OL} * V_{OL} * N + I_{OH} * (V_{CC} - V_{OH}) * M \quad (1)$$

Where:

$I_{CC \text{ standby}}$  is the current flowing when no inputs or outputs are changing.

$I_{\text{active}}$  is the current flowing due to CMOS switching.

$I_{OL}$ ,  $I_{OH}$  are TTL sink/source currents.

$V_{OL}$ ,  $V_{OH}$  are TTL level output voltages.

N equals the number of outputs driving TTL loads to  $V_{OL}$ .

M equals the number of outputs driving TTL loads to  $V_{OH}$ .

An accurate determination of N and M is problematical because their values depend on the design and on the system I/O. The power can be divided into two components: static and active.

### Static Power Component

Actel FPGAs have small static power components that result in lower power dissipation than PALs or PLDs. By integrating multiple PALs/PLDs into one FPGA, an even greater reduction in board-level power dissipation can be achieved.

The power due to standby current is typically a small component of the overall power. Standby power is calculated below for commercial, worst case conditions.

|          |          |         |
|----------|----------|---------|
| $I_{CC}$ | $V_{CC}$ | Power   |
| 2mA      | 5.25 V   | 10.5 mW |

The static power dissipated by TTL loads depends on the number of outputs driving high or low and the DC load current. Again, this value is typically small. For instance, a 32-bit bus sinking 4 mA at 0.33 V will generate 42 mW with all outputs driving low, and 140 mW with all outputs driving high. The actual dissipation will average somewhere between as I/Os switch states with time.



## Active Power Component

Power dissipation in CMOS devices is usually dominated by the active (dynamic) power dissipation. This component is frequency dependent, a function of the logic and the external I/O. Active power dissipation results from charging internal chip capacitances of the interconnect, unprogrammed antifuses, module inputs, and module outputs, plus external capacitance due to PC board traces and load device inputs. An additional component of the active power dissipation is the totem-pole current in CMOS transistor pairs. The net effect can be associated with an equivalent capacitance that can be combined with frequency and voltage to represent active power dissipation.

## Equivalent Capacitance

The power dissipated by a CMOS circuit can be expressed by the Equation 2.

$$\text{Power (uW)} = C_{EQ} * V_{CC}^2 * F \quad (2)$$

Where:

$C_{EQ}$  is the equivalent capacitance expressed in pF.

$V_{CC}$  is the power supply in volts.

$F$  is the switching frequency in MHz.

Equivalent capacitance is calculated by measuring  $I_{CC}$  active at a specified frequency and voltage for each circuit component of interest. Measurements have been made over a range of frequencies at a fixed value of  $V_{CC}$ . Equivalent capacitance is frequency independent so that the results may be used over a wide range of operating conditions. Equivalent capacitance values are shown below.

 $C_{EQ}$  Values for Actel FPGAs

|  |      |
|--|------|
| Modules ( $C_{EQM}$ )                          | 6.7  |
| Input Buffers ( $C_{EQI}$ )                    | 7.2  |
| Output Buffers ( $C_{EQO}$ )                   | 10.4 |
| Routed Array Clock Buffer Loads ( $C_{EQCR}$ ) | 1.6  |
| Dedicated Clock Buffer Loads ( $C_{EQCD}$ )    | 0.7  |
| I/O Clock Buffer Loads ( $C_{EQCI}$ )          | 0.9  |

To calculate the active power dissipated from the complete design, the switching frequency of each part of the logic must be known. Equation 3 shows a piece-wise linear summation over all components.

$$\begin{aligned} \text{Power} = & V_{CC}^2 * [(m * C_{EQM} * f_m)_{\text{modules}} + (n * C_{EQI} * f_n)_{\text{inputs}} \\ & + (p * (C_{EQO} + C_L) * f_p)_{\text{outputs}} \\ & + 0.5 * (q_1 * C_{EQCR} * f_{q1})_{\text{routed\_Clk1}} + (r_1 * f_{q1})_{\text{routed\_Clk1}} \\ & + 0.5 * (q_2 * C_{EQCR} * f_{q2})_{\text{routed\_Clk2}} \\ & + (r_2 * f_{q2})_{\text{routed\_Clk2}} + 0.5 * (s_1 * C_{EQCD} * f_{s1})_{\text{dedicated\_Clk}} \\ & + (s_2 * C_{EQCI} * f_{s2})_{\text{IO\_Clk}}] \quad (3) \end{aligned}$$

Where:

|            |  |
|------------|--|
| $m$        | = Number of logic modules switching at $f_m$               |
| $n$        | = Number of input buffers switching at $f_n$               |
| $p$        | = Number of output buffers switching at $f_p$              |
| $q_1$      | = Number of clock loads on the first routed array clock    |
| $q_2$      | = Number of clock loads on the second routed array clock   |
| $r_1$      | = Fixed capacitance due to first routed array clock        |
| $r_2$      | = Fixed capacitance due to second routed array clock       |
| $s_1$      | = Fixed number of clock loads on the dedicated array clock |
| $s_2$      | = Fixed number of clock loads on the dedicated I/O clock   |
| $C_{EQM}$  | = Equivalent capacitance of logic modules in pF            |
| $C_{EQI}$  | = Equivalent capacitance of input buffers in pF            |
| $C_{EQO}$  | = Equivalent capacitance of output buffers in pF           |
| $C_{EQCR}$ | = Equivalent capacitance of routed array clock in pF       |
| $C_{EQCD}$ | = Equivalent capacitance of dedicated array clock in pF    |
| $C_{EQCI}$ | = Equivalent capacitance of dedicated I/O clock in pF      |
| $C_L$      | = Output lead capacitance in pF                            |
| $f_m$      | = Average logic module switching rate in MHz               |
| $f_n$      | = Average input buffer switching rate in MHz               |
| $f_p$      | = Average output buffer switching rate in MHz              |
| $f_{q1}$   | = Average first routed array clock rate in MHz             |
| $f_{q2}$   | = Average second routed array clock rate in MHz            |
| $f_{s1}$   | = Average dedicated array clock rate in MHz                |
| $f_{s2}$   | = Average dedicated I/O clock rate in MHz                  |

Fixed Capacitance Values for Actel FPGAs (pF)

| Device Type | r <sub>1</sub><br>routed_Clk1 | r <sub>2</sub><br>routed_Clk2 |
|-------------|-------------------------------|-------------------------------|
| A1415A      | 60                            | 60                            |
| A14V15A     | 57                            | 57                            |
| A1425A      | 75                            | 75                            |
| A14V25A     | 72                            | 72                            |
| A1440A      | 105                           | 105                           |
| A14V40A     | 100                           | 100                           |
| A1440B      | 105                           | 105                           |
| A1460A      | 165                           | 165                           |
| A14V60A     | 157                           | 157                           |
| A1460B      | 165                           | 165                           |
| A14100A     | 195                           | 195                           |
| A14V100A    | 185                           | 185                           |
| A14100B     | 195                           | 195                           |

Fixed Clock Loads (s<sub>1</sub>/s<sub>2</sub>)

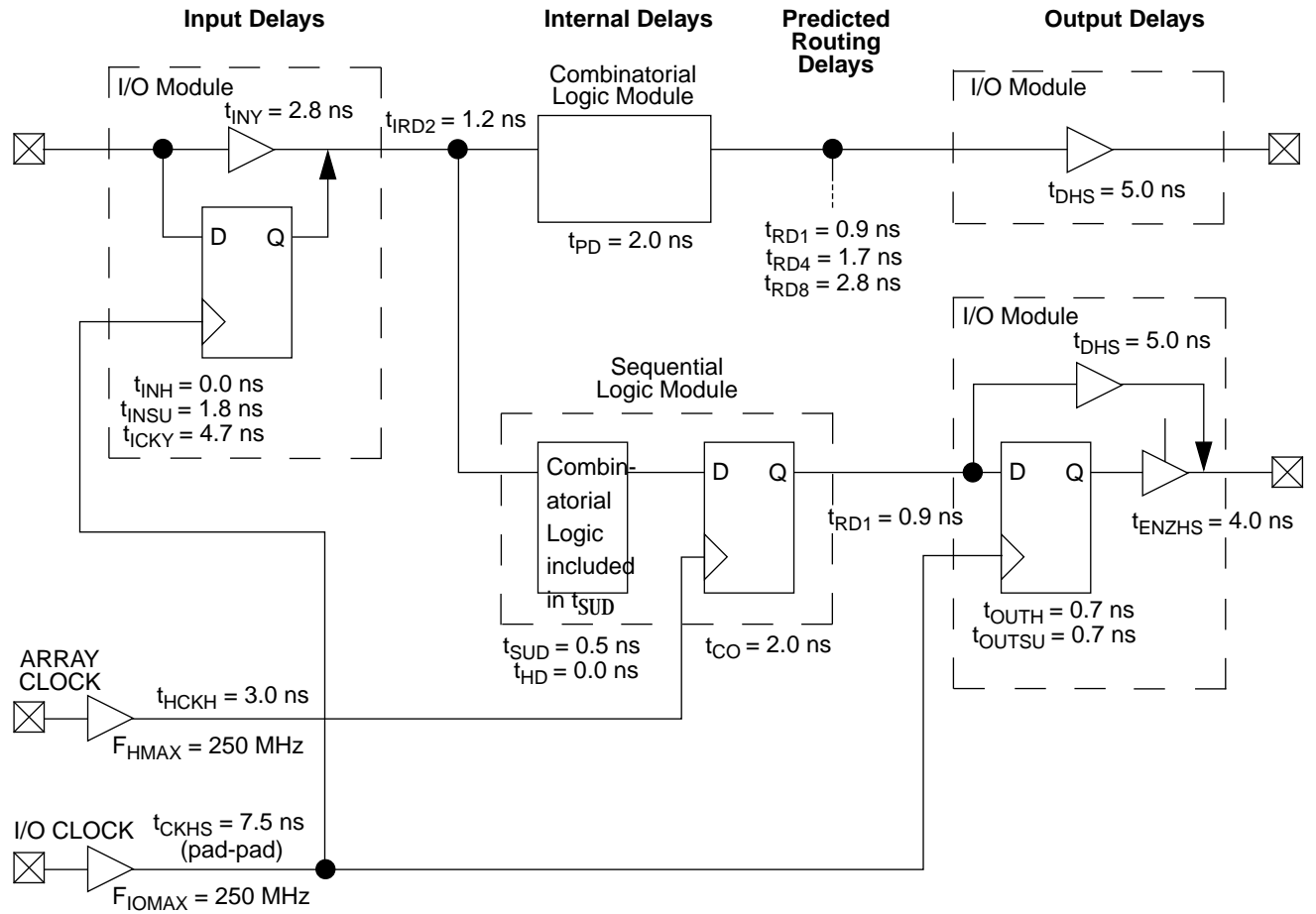
| Device Type | s <sub>1</sub><br>Clock Loads on<br>dedicated array<br>clock | s <sub>2</sub><br>Clock Loads on<br>dedicated I/O<br>clock |
|-------------|--|--|
| A1415A      | 104  | 80   |
| A14V15A     | 104  | 80   |
| A1425A      | 160  | 100  |
| A14V25A     | 160  | 100  |
| A1440A      | 288  | 140  |
| A14V40A     | 288  | 140  |
| A1440B      | 288  | 140  |
| A1460A      | 432  | 168  |
| A14V60A     | 432  | 168  |
| A1460B      | 432  | 168  |
| A14100A     | 697  | 228  |
| A14V100A    | 697  | 228  |
| A14100B     | 697  | 228  |

Determining Average Switching Frequency

To determine the switching frequency for a design, you must have a detailed understanding of the data input values to the circuit. The following guidelines are meant to represent worst-case scenarios so that they can be generally used to predict the upper limits of power dissipation. These guidelines are as follows:

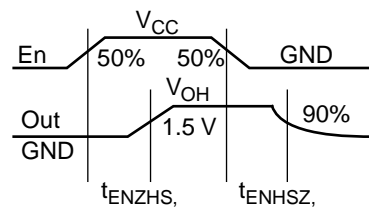
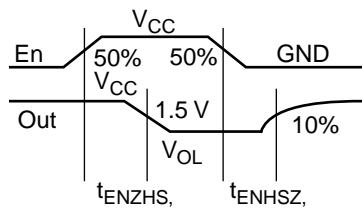
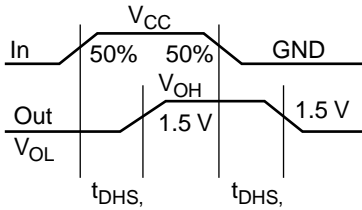
- Logic Modules (m) = 80% of modules
- Inputs switching (n) = # inputs/4
- Outputs switching (p) = # output/4
- First routed array clock loads (q<sub>1</sub>) = 40% of sequential modules
- Second routed array clock loads (q<sub>2</sub>) = 40% of sequential modules
- Load capacitance (C<sub>L</sub>) = 35 pF
- Average logic module switching rate (f<sub>m</sub>) = F/10
- Average input switching rate (f<sub>n</sub>) = F/5
- Average output switching rate (f<sub>p</sub>) = F/10
- Average first routed array clock rate (f<sub>q1</sub>) = F/2
- Average second routed array clock rate (f<sub>q2</sub>) = F/2
- Average dedicated array clock rate (f<sub>s1</sub>) = F
- Average dedicated I/O clock rate (f<sub>s2</sub>) = F

## ACT 3 Timing Model\*



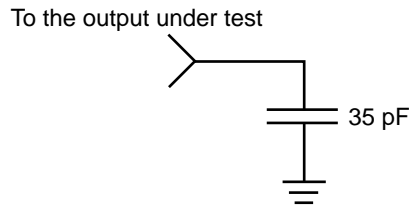
\*Values shown for A1425A-3.

## Output Buffer Delays

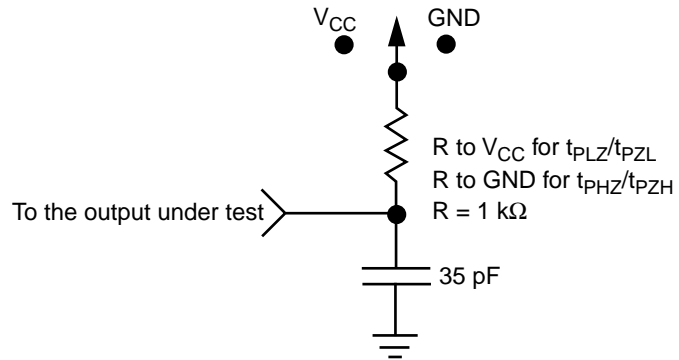


## AC Test Loads

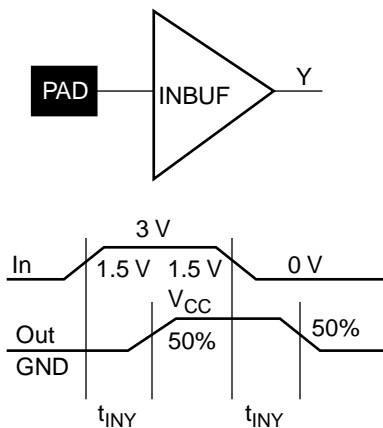
**Load 1**  
(Used to measure propagation delay)



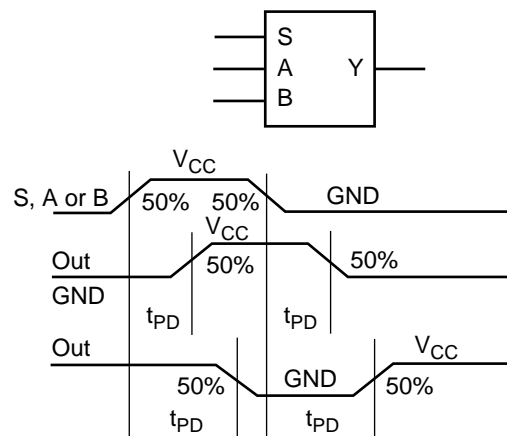
**Load 2**  
(Used to measure rising/falling edges)



## Input Buffer Delays

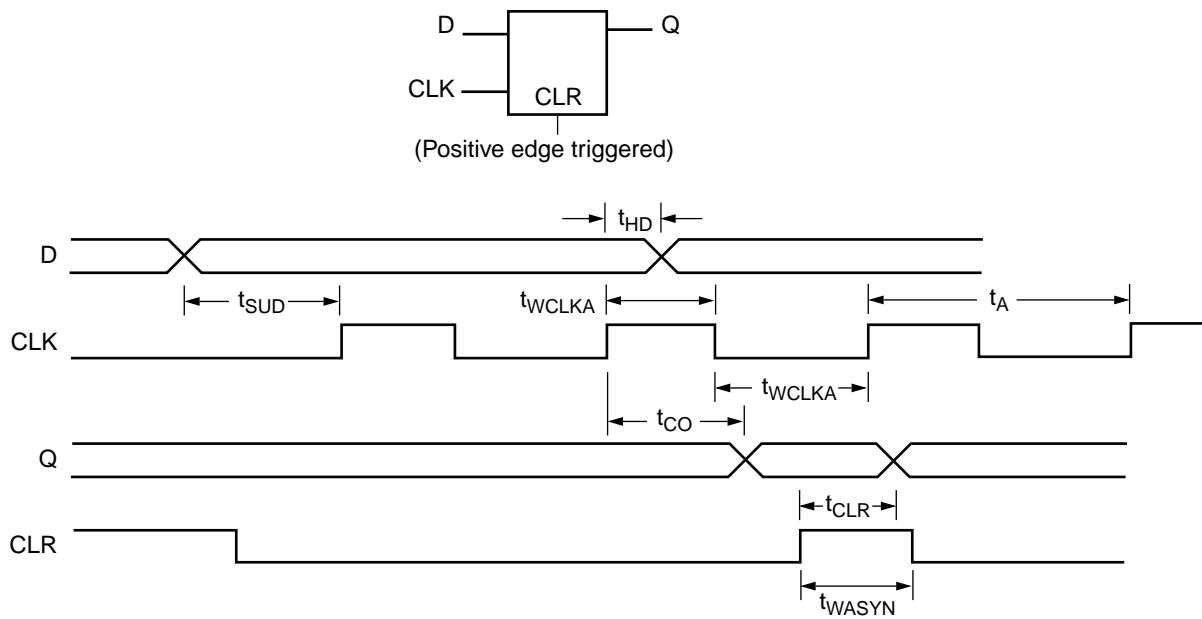


## Module Delays

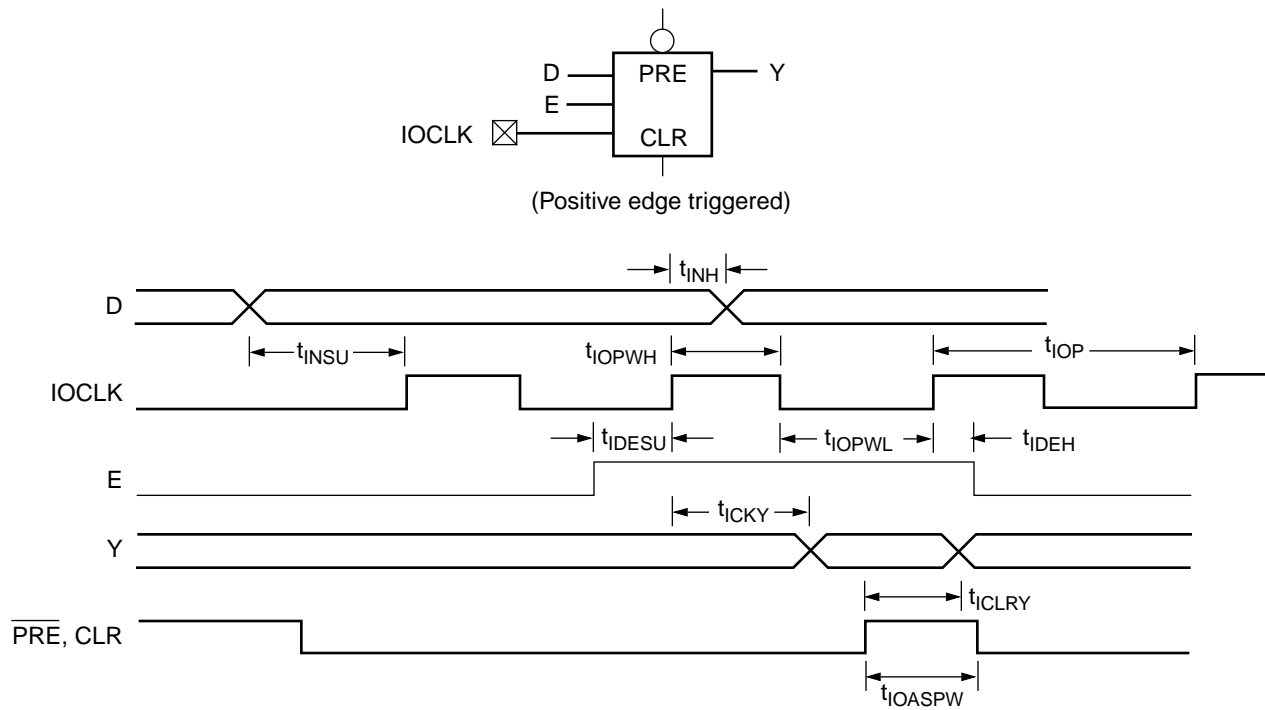


## Sequential Module Timing Characteristics

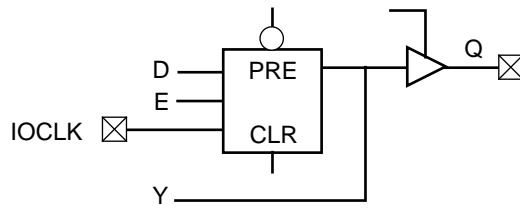
### Flip-Flops



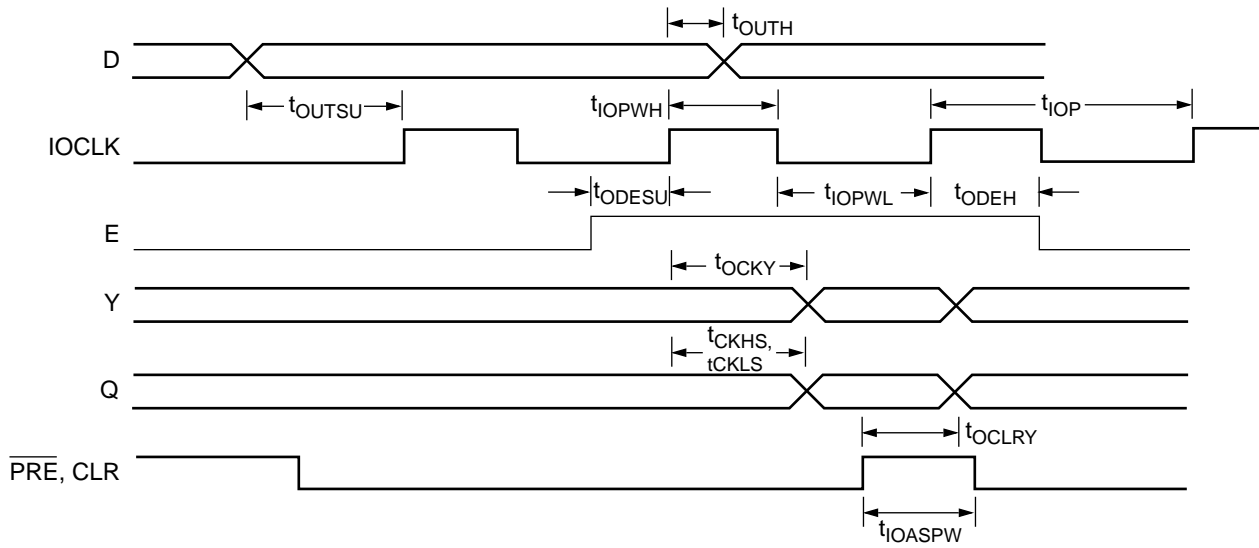
### I/O Module: Sequential Input Timing Characteristics



## I/O Module: Sequential Output Timing Characteristics



(Positive edge triggered)



## Predictable Performance: Tightest Delay Distributions

Propagation delay between logic modules depends on the resistive and capacitive loading of the routing tracks, the interconnect elements, and the module inputs being driven. Propagation delay increases as the length of routing tracks, the number of interconnect elements, or the number of inputs increases.

From a design perspective, the propagation delay can be statistically correlated or modeled by the fanout (number of loads) driven by a module. Higher fanout usually requires some paths to have longer lengths of routing track.

The ACT 3 family delivers the tightest fanout delay distribution of any FPGA. This tight distribution is achieved in two ways: by decreasing the delay of the interconnect elements and by decreasing the number of interconnect elements per path.

Actel's patented PLICE antifuse offers a very low resistive/capacitive interconnect. The ACT 3 family's antifuses, fabricated in 0.8 micron m lithography, offer nominal levels of 200Ω resistance and 6 femtofarad (fF) capacitance per antifuse.

The ACT 3 fanout distribution is also tighter than alternative devices due to the low number of antifuses required per interconnect path. The ACT 3 family's proprietary architecture limits the number of antifuses per path to only four, with 90% of interconnects using only two antifuses.

The ACT 3 family's tight fanout delay distribution offers an FPGA design environment in which fanout can be traded for the increased performance of reduced logic level designs. This also simplifies performance estimates when designing with ACT 3 devices.

**Table 2 • Logic Module and Routing Delay by Fanout (ns)  
(Worst-Case Commercial Conditions)**

| Speed    | FO=1 | FO=2 | FO=3 | FO=4 | FO=8 |
|----------|------|------|------|------|------|
| ACT 3 –3 | 2.9  | 3.2  | 3.4  | 3.7  | 4.8  |

## Timing Characteristics

Timing characteristics for ACT 3 devices fall into three categories: family dependent, device dependent, and design dependent. The input and output buffer characteristics are common to all ACT 3 family members. Internal routing delays are device dependent. Design dependency means actual delays are not determined until after placement and routing of the user's design is complete. Delay values may then be determined by using the ALS Timer utility or performing simulation with post-layout delays.

### Critical Nets and Typical Nets

Propagation delays are expressed only for typical nets, which are used for initial design performance evaluation. Critical net delays can then be applied to the most time-critical paths. Critical nets are determined by net property assignment prior to placement and routing. Up to 6% of the nets in a design may be designated as critical, while 90% of the nets in a design are typical.

### Long Tracks

Some nets in the design use long tracks. Long tracks are special routing resources that span multiple rows, columns, or modules. Long tracks employ three and sometimes four antifuse connections. This increases capacitance and resistance, resulting in longer net delays for macros connected to long tracks. Typically up to 6% of nets in a fully utilized device require long tracks. Long tracks contribute approximately 4 ns to 14 ns delay. This additional delay is represented statistically in higher fanout (FO=8) routing delays in the data sheet specifications section.

### Timing Derating

ACT 3 devices are manufactured in a CMOS process. Therefore, device performance varies according to temperature, voltage, and process variations. Minimum timing parameters reflect maximum operating voltage, minimum operating temperature, and best-case processing. Maximum timing parameters reflect minimum operating voltage, maximum operating temperature, and worst-case processing.

### Timing Derating Factor (Temperature and Voltage)

|  | Industrial |      | Military |      |
|--|------------|------|----------|------|
|  | Min.       | Max. | Min.     | Max. |
| (Commercial Minimum/Maximum Specification) x | 0.66       | 1.07 | 0.63     | 1.17 |

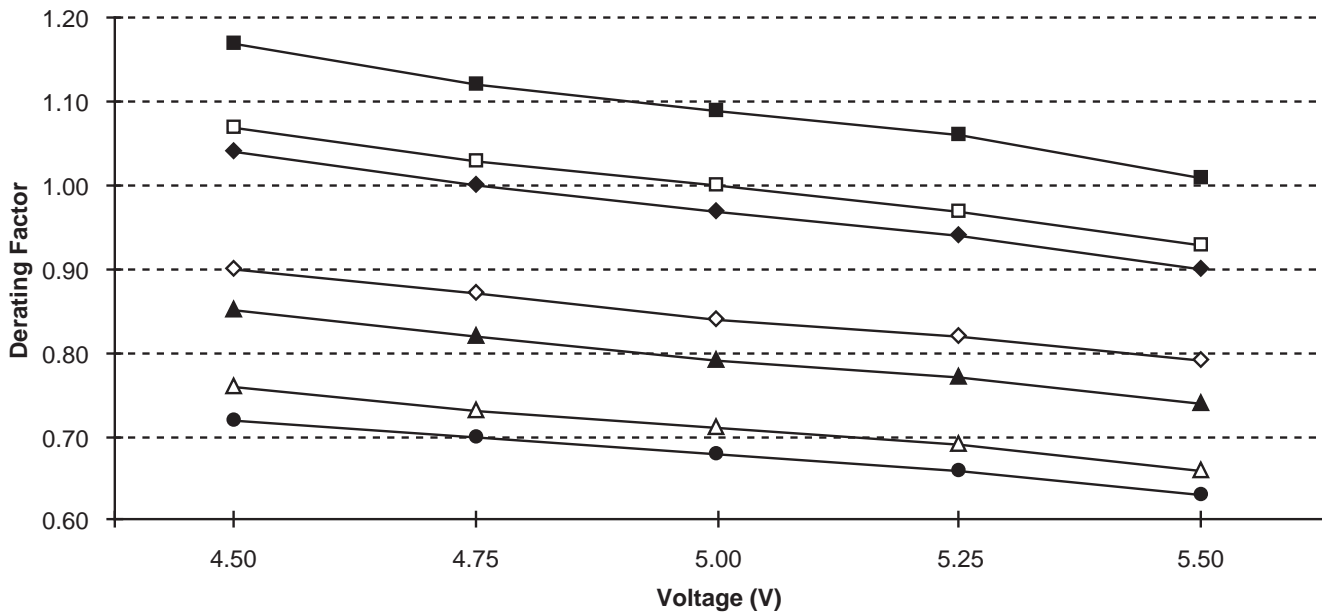
### Timing Derating Factor for Designs at Typical Temperature ( $T_J = 25^\circ\text{C}$ ) and Voltage (5.0 V)

|                                      |      |
|--------------------------------------|------|
| (Commercial Maximum Specification) x | 0.85 |
|--------------------------------------|------|

### Temperature and Voltage Derating Factors (normalized to Worst-Case Commercial, $T_J = 4.75\text{ V}, 70^\circ\text{C}$ )

|             | -55  | -40  | 0    | 25   | 70   | 85   | 125  |
|-------------|------|------|------|------|------|------|------|
| <b>4.50</b> | 0.72 | 0.76 | 0.85 | 0.90 | 1.04 | 1.07 | 1.17 |
| <b>4.75</b> | 0.70 | 0.73 | 0.82 | 0.87 | 1.00 | 1.03 | 1.12 |
| <b>5.00</b> | 0.68 | 0.71 | 0.79 | 0.84 | 0.97 | 1.00 | 1.09 |
| <b>5.25</b> | 0.66 | 0.69 | 0.77 | 0.82 | 0.94 | 0.97 | 1.06 |
| <b>5.50</b> | 0.63 | 0.66 | 0.74 | 0.79 | 0.90 | 0.93 | 1.01 |

Junction Temperature and Voltage Derating Curves  
(normalized to Worst-Case Commercial,  $T_J = 4.75\text{ V}, 70^\circ\text{C}$ )



**Note:** This derating factor applies to all routing and propagation delays.



## A1415A, A14V15A Timing Characteristics

(Worst-Case Commercial Conditions,  $V_{CC} = 4.75\text{ V}$ ,  $T_J = 70^\circ\text{C}$ )<sup>1</sup>

| Logic Module Propagation Delays <sup>2</sup> |                              | ‘-3’ Speed |      | ‘-2’ Speed |      | ‘-1’ Speed |      | ‘Std’ Speed |      | 3.3V Speed <sup>1</sup> |      |       |
|--|------------------------------|------------|------|------------|------|------------|------|-------------|------|-------------------------|------|-------|
| Parameter                                    | Description                  | Min.       | Max. | Min.       | Max. | Min.       | Max. | Min.        | Max. | Min.                    | Max. | Units |
| $t_{PD}$                                     | Internal Array Module        |            | 2.0  |            | 2.3  |            | 2.6  |             | 3.0  |                         | 3.9  | ns    |
| $t_{CO}$                                     | Sequential Clock to Q        |            | 2.0  |            | 2.3  |            | 2.6  |             | 3.0  |                         | 3.9  | ns    |
| $t_{CLR}$                                    | Asynchronous Clear to Q      |            | 2.0  |            | 2.3  |            | 2.6  |             | 3.0  |                         | 3.9  | ns    |
| Predicted Routing Delays <sup>3</sup>        |                              |            |      |            |      |            |      |             |      |                         |      |       |
| $t_{RD1}$                                    | FO=1 Routing Delay           |            | 0.9  |            | 1.0  |            | 1.1  |             | 1.3  |                         | 1.7  | ns    |
| $t_{RD2}$                                    | FO=2 Routing Delay           |            | 1.2  |            | 1.4  |            | 1.6  |             | 1.8  |                         | 2.4  | ns    |
| $t_{RD3}$                                    | FO=3 Routing Delay           |            | 1.4  |            | 1.6  |            | 1.8  |             | 2.1  |                         | 2.8  | ns    |
| $t_{RD4}$                                    | FO=4 Routing Delay           |            | 1.7  |            | 1.9  |            | 2.2  |             | 2.5  |                         | 3.3  | ns    |
| $t_{RD8}$                                    | FO=8 Routing Delay           |            | 2.8  |            | 3.2  |            | 3.6  |             | 4.2  |                         | 5.5  | ns    |
| Logic Module Sequential Timing               |                              |            |      |            |      |            |      |             |      |                         |      |       |
| $t_{SUD}$                                    | Flip-Flop Data Input Setup   | 0.5        |      | 0.6        |      | 0.7        |      | 0.8         |      | 0.8                     |      | ns    |
| $t_{HD}$                                     | Flip-Flop Data Input Hold    | 0.0        |      | 0.0        |      | 0.0        |      | 0.0         |      | 0.0                     |      | ns    |
| $t_{SUD}$                                    | Latch Data Input Setup       | 0.5        |      | 0.6        |      | 0.7        |      | 0.8         |      | 0.8                     |      | ns    |
| $t_{HD}$                                     | Latch Data Input Hold        | 0.0        |      | 0.0        |      | 0.0        |      | 0.0         |      | 0.0                     |      | ns    |
| $t_{WASYN}$                                  | Asynchronous Pulse Width     | 1.9        |      | 2.4        |      | 3.2        |      | 3.8         |      | 4.8                     |      | ns    |
| $t_{WCLKA}$                                  | Flip-Flop Clock Pulse Width  | 1.9        |      | 2.4        |      | 3.2        |      | 3.8         |      | 4.8                     |      | ns    |
| $t_A$  | Flip-Flop Clock Input Period | 4.0        |      | 5.0        |      | 6.8        |      | 8.0         |      | 10.0                    |      | ns    |
| $f_{MAX}$                                    | Flip-Flop Clock Frequency    |            | 250  |            | 200  |            | 150  |             | 125  |                         | 100  | MHz   |

**Notes:**

- $V_{CC} = 3.0\text{ V}$  for 3.3V specifications.
- For dual-module macros, use  $t_{PD} + t_{RD1} + t_{PDn}$ ,  $t_{CO} + t_{RD1} + t_{PDn}$  or  $t_{PD1} + t_{RD1} + t_{SUD}$ , whichever is appropriate.
- Routing delays are for typical designs across worst-case operating conditions. These parameters should be used for estimating device performance. Post-route timing analysis or simulation is required to determine actual worst-case performance. Post-route timing is based on actual routing delay measurements performed on the device prior to shipment.

## A1415A, A14V15A Timing Characteristics (continued)

(Worst-Case Commercial Conditions)

| I/O Module Input Propagation Delays               |   | '-3' Speed |      | '-2' Speed |      | '-1' Speed |      | 'Std' Speed |      | 3.3V Speed |      |       |
|---|---|------------|------|------------|------|------------|------|-------------|------|------------|------|-------|
| Parameter   | Description                                 | Min.       | Max. | Min.       | Max. | Min.       | Max. | Min.        | Max. | Min.       | Max. | Units |
| t <sub>INY</sub>                                  | Input Data Pad to Y                         |            | 2.8  |            | 3.2  |            | 3.6  |             | 4.2  |            | 5.5  | ns    |
| t <sub>ICKY</sub>                                 | Input Reg IOCLK Pad to Y                    |            | 4.7  |            | 5.3  |            | 6.0  |             | 7.0  |            | 9.2  | ns    |
| t <sub>OOCKY</sub>                                | Output Reg IOCLK Pad to Y                   |            | 4.7  |            | 5.3  |            | 6.0  |             | 7.0  |            | 9.2  | ns    |
| t <sub>ICLRY</sub>                                | Input Asynchronous Clear to Y               |            | 4.7  |            | 5.3  |            | 6.0  |             | 7.0  |            | 9.2  | ns    |
| t <sub>OCLRY</sub>                                | Output Asynchronous Clear to Y              |            | 4.7  |            | 5.3  |            | 6.0  |             | 7.0  |            | 9.2  | ns    |
| <b>Predicted Input Routing Delays<sup>1</sup></b> |   |            |      |            |      |            |      |             |      |            |      |       |
| t <sub>IRD1</sub>                                 | FO=1 Routing Delay                          |            | 0.9  |            | 1.0  |            | 1.1  |             | 1.3  |            | 1.7  | ns    |
| t <sub>IRD2</sub>                                 | FO=2 Routing Delay                          |            | 1.2  |            | 1.4  |            | 1.6  |             | 1.8  |            | 2.4  | ns    |
| t <sub>IRD3</sub>                                 | FO=3 Routing Delay                          |            | 1.4  |            | 1.6  |            | 1.8  |             | 2.1  |            | 2.8  | ns    |
| t <sub>IRD4</sub>                                 | FO=4 Routing Delay                          |            | 1.7  |            | 1.9  |            | 2.2  |             | 2.5  |            | 3.3  | ns    |
| t <sub>IRD8</sub>                                 | FO=8 Routing Delay                          |            | 2.8  |            | 3.2  |            | 3.6  |             | 4.2  |            | 5.5  | ns    |
| <b>I/O Module Sequential Timing</b>               |   |            |      |            |      |            |      |             |      |            |      |       |
| t <sub>INH</sub>                                  | Input F-F Data Hold (w.r.t. IOCLK Pad)      | 0.0        |      | 0.0        |      | 0.0        |      | 0.0         |      | 0.0        |      | ns    |
| t <sub>INSU</sub>                                 | Input F-F Data Setup (w.r.t. IOCLK Pad)     | 2.0        |      | 2.3        |      | 2.5        |      | 3.0         |      | 3.0        |      | ns    |
| t <sub>IDEH</sub>                                 | Input Data Enable Hold (w.r.t. IOCLK Pad)   | 0.0        |      | 0.0        |      | 0.0        |      | 0.0         |      | 0.0        |      | ns    |
| t <sub>IDESU</sub>                                | Input Data Enable Setup (w.r.t. IOCLK Pad)  | 5.8        |      | 6.5        |      | 7.5        |      | 8.6         |      | 8.6        |      | ns    |
| t <sub>OUTH</sub>                                 | Output F-F Data Hold (w.r.t. IOCLK Pad)     | 0.7        |      | 0.8        |      | 0.9        |      | 1.0         |      | 1.0        |      | ns    |
| t <sub>OUTSU</sub>                                | Output F-F Data Setup (w.r.t. IOCLK Pad)    | 0.7        |      | 0.8        |      | 0.9        |      | 1.0         |      | 1.0        |      | ns    |
| t <sub>ODEH</sub>                                 | Output Data Enable Hold (w.r.t. IOCLK Pad)  | 0.3        |      | 0.4        |      | 0.4        |      | 0.5         |      | 0.5        |      | ns    |
| t <sub>ODESU</sub>                                | Output Data Enable Setup (w.r.t. IOCLK Pad) | 1.3        |      | 1.5        |      | 1.7        |      | 2.0         |      | 2.0        |      | ns    |

**Note:**

1. Routing delays are for typical designs across worst-case operating conditions. These parameters should be used for estimating device performance. Post-route timing analysis or simulation is required to determine actual worst-case performance. Post-route timing is based on actual routing delay measurements performed on the device prior to shipment.

## A1415A, A14V15A Timing Characteristics (continued)

(Worst-Case Commercial Conditions)

| I/O Module – TTL Output Timing <sup>1</sup>  |                                  | ‘-3’ Speed |      | ‘-2’ Speed |      | ‘-1’ Speed |      | ‘Std’ Speed |      | 3.3V Speed |      |       |
|--|----------------------------------|------------|------|------------|------|------------|------|-------------|------|------------|------|-------|
| Parameter                                    | Description                      | Min.       | Max. | Min.       | Max. | Min.       | Max. | Min.        | Max. | Min.       | Max. | Units |
| t <sub>DHS</sub>                             | Data to Pad, High Slew           |            | 5.0  |            | 5.6  |            | 6.4  |             | 7.5  |            | 9.8  | ns    |
| t <sub>DLS</sub>                             | Data to Pad, Low Slew            |            | 8.0  |            | 9.0  |            | 10.2 |             | 12.0 |            | 15.6 | ns    |
| t <sub>ENZHS</sub>                           | Enable to Pad, Z to H/L, Hi Slew |            | 4.0  |            | 4.5  |            | 5.1  |             | 6.0  |            | 7.8  | ns    |
| t <sub>ENZLS</sub>                           | Enable to Pad, Z to H/L, Lo Slew |            | 7.4  |            | 8.3  |            | 9.4  |             | 11.0 |            | 14.3 | ns    |
| t <sub>ENHSZ</sub>                           | Enable to Pad, H/L to Z, Hi Slew |            | 6.5  |            | 7.5  |            | 8.5  |             | 10.0 |            | 13.0 | ns    |
| t <sub>ENLSZ</sub>                           | Enable to Pad, H/L to Z, Lo Slew |            | 6.5  |            | 7.5  |            | 8.5  |             | 10.0 |            | 13.0 | ns    |
| t <sub>CKHS</sub>                            | IOCLK Pad to Pad H/L, Hi Slew    |            | 7.5  |            | 7.5  |            | 9.0  |             | 10.0 |            | 13.0 | ns    |
| t <sub>CKLS</sub>                            | IOCLK Pad to Pad H/L, Lo Slew    |            | 11.3 |            | 11.3 |            | 13.5 |             | 15.0 |            | 19.5 | ns    |
| d <sub>TLHHS</sub>                           | Delta Low to High, Hi Slew       |            | 0.02 |            | 0.02 |            | 0.03 |             | 0.03 |            | 0.04 | ns/pF |
| d <sub>TLHLS</sub>                           | Delta Low to High, Lo Slew       |            | 0.05 |            | 0.05 |            | 0.06 |             | 0.07 |            | 0.09 | ns/pF |
| d <sub>THLHS</sub>                           | Delta High to Low, Hi Slew       |            | 0.04 |            | 0.04 |            | 0.04 |             | 0.05 |            | 0.07 | ns/pF |
| d <sub>THLLS</sub>                           | Delta High to Low, Lo Slew       |            | 0.05 |            | 0.05 |            | 0.06 |             | 0.07 |            | 0.09 | ns/pF |
| I/O Module – CMOS Output Timing <sup>1</sup> |                                  |            |      |            |      |            |      |             |      |            |      |       |
| t <sub>DHS</sub>                             | Data to Pad, High Slew           |            | 6.2  |            | 7.0  |            | 7.9  |             | 9.3  |            | 12.1 | ns    |
| t <sub>DLS</sub>                             | Data to Pad, Low Slew            |            | 11.7 |            | 13.1 |            | 14.9 |             | 17.5 |            | 22.8 | ns    |
| t <sub>ENZHS</sub>                           | Enable to Pad, Z to H/L, Hi Slew |            | 5.2  |            | 5.9  |            | 6.6  |             | 7.8  |            | 10.1 | ns    |
| t <sub>ENZLS</sub>                           | Enable to Pad, Z to H/L, Lo Slew |            | 8.9  |            | 10.0 |            | 11.3 |             | 13.3 |            | 17.3 | ns    |
| t <sub>ENHSZ</sub>                           | Enable to Pad, H/L to Z, Hi Slew |            | 6.7  |            | 7.5  |            | 8.5  |             | 10.0 |            | 13.0 | ns    |
| t <sub>ENLSZ</sub>                           | Enable to Pad, H/L to Z, Lo Slew |            | 6.7  |            | 7.5  |            | 9.0  |             | 10.0 |            | 13.0 | ns    |
| t <sub>CKHS</sub>                            | IOCLK Pad to Pad H/L, Hi Slew    |            | 8.9  |            | 8.9  |            | 10.7 |             | 11.8 |            | 15.3 | ns    |
| t <sub>CKLS</sub>                            | IOCLK Pad to Pad H/L, Lo Slew    |            | 13.0 |            | 13.0 |            | 15.6 |             | 17.3 |            | 22.5 | ns    |
| d <sub>TLHHS</sub>                           | Delta Low to High, Hi Slew       |            | 0.04 |            | 0.04 |            | 0.05 |             | 0.06 |            | 0.08 | ns/pF |
| d <sub>TLHLS</sub>                           | Delta Low to High, Lo Slew       |            | 0.07 |            | 0.08 |            | 0.09 |             | 0.11 |            | 0.14 | ns/pF |
| d <sub>THLHS</sub>                           | Delta High to Low, Hi Slew       |            | 0.03 |            | 0.03 |            | 0.03 |             | 0.04 |            | 0.05 | ns/pF |
| d <sub>THLLS</sub>                           | Delta High to Low, Lo Slew       |            | 0.04 |            | 0.04 |            | 0.04 |             | 0.05 |            | 0.07 | ns/pF |

**Note:**

1. Delays based on 35pF loading.

## A1415A, A14V15A Timing Characteristics (continued)

(Worst-Case Commercial Conditions)

| <b>Dedicated (Hard-Wired) I/O Clock Network</b>   |   | ‘-3’ Speed  |             | ‘-2’ Speed  |             | ‘-1’ Speed  |             | ‘Std’ Speed |             | 3.3V Speed  |             |              |
|---|---|-------------|-------------|-------------|-------------|-------------|-------------|-------------|-------------|-------------|-------------|--------------|
| <b>Parameter</b>                                  | <b>Description</b>                                      | <b>Min.</b> | <b>Max.</b> | <b>Min.</b> | <b>Max.</b> | <b>Min.</b> | <b>Max.</b> | <b>Min.</b> | <b>Max.</b> | <b>Min.</b> | <b>Max.</b> | <b>Units</b> |
| t <sub>IOCKH</sub>                                | Input Low to High<br>(Pad to I/O Module Input)          |             | 2.0         |             | 2.3         |             | 2.6         |             | 3.0         |             | 3.5         | ns           |
| t <sub>IOPWH</sub>                                | Minimum Pulse Width High                                | 1.9         |             | 2.4         |             | 3.3         |             | 3.8         |             | 4.8         |             | ns           |
| t <sub>IOPWL</sub>                                | Minimum Pulse Width Low                                 | 1.9         |             | 2.4         |             | 3.3         |             | 3.8         |             | 4.8         |             | ns           |
| t <sub>IOSAPW</sub>                               | Minimum Asynchronous<br>Pulse Width                     | 1.9         |             | 2.4         |             | 3.3         |             | 3.8         |             | 4.8         |             | ns           |
| t <sub>IOCKSW</sub>                               | Maximum Skew  |             | 0.4         |             | 0.4         |             | 0.4         |             | 0.4         |             | 0.4         | ns           |
| t <sub>IOP</sub>                                  | Minimum Period  | 4.0         |             | 5.0         |             | 6.8         |             | 8.0         |             | 10.0        |             | ns           |
| f <sub>IOMAX</sub>                                | Maximum Frequency                                       |             | 250         |             | 200         |             | 150         |             | 125         |             | 100         | MHz          |
| <b>Dedicated (Hard-Wired) Array Clock Network</b> |   |             |             |             |             |             |             |             |             |             |             |              |
| t <sub>HCKH</sub>                                 | Input Low to High<br>(Pad to S-Module Input)            |             | 3.0         |             | 3.4         |             | 3.9         |             | 4.5         |             | 5.5         | ns           |
| t <sub>HCKL</sub>                                 | Input High to Low<br>(Pad to S-Module Input)            |             | 3.0         |             | 3.4         |             | 3.9         |             | 4.5         |             | 5.5         | ns           |
| t <sub>HPWH</sub>                                 | Minimum Pulse Width High                                | 1.9         |             | 2.4         |             | 3.3         |             | 3.8         |             | 4.8         |             | ns           |
| t <sub>HPWL</sub>                                 | Minimum Pulse Width Low                                 | 1.9         |             | 2.4         |             | 3.3         |             | 3.8         |             | 4.8         |             | ns           |
| t <sub>HCKSW</sub>                                | Maximum Skew  |             | 0.3         |             | 0.3         |             | 0.3         |             | 0.3         |             | 0.3         | ns           |
| t <sub>HP</sub>                                   | Minimum Period  | 4.0         |             | 5.0         |             | 6.8         |             | 8.0         |             | 10.0        |             | ns           |
| f <sub>HMAX</sub>                                 | Maximum Frequency                                       |             | 250         |             | 200         |             | 150         |             | 125         |             | 100         | MHz          |
| <b>Routed Array Clock Networks</b>                |   |             |             |             |             |             |             |             |             |             |             |              |
| t <sub>RCKH</sub>                                 | Input Low to High (FO=64)                               |             | 3.7         |             | 4.1         |             | 4.7         |             | 5.5         |             | 9.0         | ns           |
| t <sub>RCKL</sub>                                 | Input High to Low (FO=64)                               |             | 4.0         |             | 4.5         |             | 5.1         |             | 6.0         |             | 9.0         | ns           |
| t <sub>RPWH</sub>                                 | Min. Pulse Width High<br>(FO=64)                        | 3.3         |             | 3.8         |             | 4.2         |             | 4.9         |             | 6.5         |             | ns           |
| t <sub>RPWL</sub>                                 | Min. Pulse Width Low<br>(FO=64)                         | 3.3         |             | 3.8         |             | 4.2         |             | 4.9         |             | 6.5         |             | ns           |
| t <sub>RCKSW</sub>                                | Maximum Skew (FO=128)                                   |             | 0.7         |             | 0.8         |             | 0.9         |             | 1.0         |             | 1.0         | ns           |
| t <sub>RP</sub>                                   | Minimum Period (FO=64)                                  | 6.8         |             | 8.0         |             | 8.7         |             | 10.0        |             | 13.4        |             | ns           |
| f <sub>RMAX</sub>                                 | Maximum Frequency<br>(FO=64)                            |             | 150         |             | 125         |             | 115         |             | 100         |             | 75          | MHz          |
| <b>Clock-to-Clock Skews</b>                       |   |             |             |             |             |             |             |             |             |             |             |              |
| t <sub>IOHCKSW</sub>                              | I/O Clock to H-Clock Skew                               | 0.0         | 1.7         | 0.0         | 1.8         | 0.0         | 2.0         | 0.0         | 2.2         | 0.0         | 3.0         | ns           |
| t <sub>IORCKSW</sub>                              | I/O Clock to R-Clock Skew<br>(FO = 64)                  | 0.0         | 1.0         | 0.0         | 1.0         | 0.0         | 1.0         | 0.0         | 1.0         | 0.0         | 3.0         | ns           |
| t <sub>HRCKSW</sub>                               | H-Clock to R-Clock Skew<br>(FO = 64)<br>(FO = 50% max.) | 0.0         | 1.0         | 0.0         | 1.0         | 0.0         | 1.0         | 0.0         | 1.0         | 0.0         | 3.0         | ns           |

**Note:**

- Delays based on 35pF loading.

## A1425A, A14V25A Timing Characteristics

(Worst-Case Commercial Conditions,  $V_{CC} = 4.75\text{ V}$ ,  $T_J = 70^\circ\text{C}$ )<sup>1</sup>

| Logic Module Propagation Delays <sup>2</sup> |                              | ‘-3’ Speed |      | ‘-2’ Speed |      | ‘-1’ Speed |      | ‘Std’ Speed |      | 3.3V Speed <sup>1</sup> |      |       |
|--|------------------------------|------------|------|------------|------|------------|------|-------------|------|-------------------------|------|-------|
| Parameter                                    | Description                  | Min.       | Max. | Min.       | Max. | Min.       | Max. | Min.        | Max. | Min.                    | Max. | Units |
| $t_{PD}$                                     | Internal Array Module        |            | 2.0  |            | 2.3  |            | 2.6  |             | 3.0  |                         | 3.9  | ns    |
| $t_{CO}$                                     | Sequential Clock to Q        |            | 2.0  |            | 2.3  |            | 2.6  |             | 3.0  |                         | 3.9  | ns    |
| $t_{CLR}$                                    | Asynchronous Clear to Q      |            | 2.0  |            | 2.3  |            | 2.6  |             | 3.0  |                         | 3.9  | ns    |
| Predicted Routing Delays <sup>3</sup>        |                              |            |      |            |      |            |      |             |      |                         |      |       |
| $t_{RD1}$                                    | FO=1 Routing Delay           |            | 0.9  |            | 1.0  |            | 1.1  |             | 1.3  |                         | 1.7  | ns    |
| $t_{RD2}$                                    | FO=2 Routing Delay           |            | 1.2  |            | 1.4  |            | 1.6  |             | 1.8  |                         | 2.4  | ns    |
| $t_{RD3}$                                    | FO=3 Routing Delay           |            | 1.4  |            | 1.6  |            | 1.8  |             | 2.1  |                         | 2.8  | ns    |
| $t_{RD4}$                                    | FO=4 Routing Delay           |            | 1.7  |            | 1.9  |            | 2.2  |             | 2.5  |                         | 3.3  | ns    |
| $t_{RD8}$                                    | FO=8 Routing Delay           |            | 2.8  |            | 3.2  |            | 3.6  |             | 4.2  |                         | 5.5  | ns    |
| Logic Module Sequential Timing               |                              |            |      |            |      |            |      |             |      |                         |      |       |
| $t_{SUD}$                                    | Flip-Flop Data Input Setup   | 0.5        |      | 0.6        |      | 0.7        |      | 0.8         |      | 0.8                     |      | ns    |
| $t_{HD}$                                     | Flip-Flop Data Input Hold    | 0.0        |      | 0.0        |      | 0.0        |      | 0.0         |      | 0.0                     |      | ns    |
| $t_{SUD}$                                    | Latch Data Input Setup       | 0.5        |      | 0.6        |      | 0.7        |      | 0.8         |      | 0.8                     |      | ns    |
| $t_{HD}$                                     | Latch Data Input Hold        | 0.0        |      | 0.0        |      | 0.0        |      | 0.0         |      | 0.0                     |      | ns    |
| $t_{WASYN}$                                  | Asynchronous Pulse Width     | 1.9        |      | 2.4        |      | 3.2        |      | 3.8         |      | 4.8                     |      | ns    |
| $t_{WCLKA}$                                  | Flip-Flop Clock Pulse Width  | 1.9        |      | 2.4        |      | 3.2        |      | 3.8         |      | 4.8                     |      | ns    |
| $t_A$  | Flip-Flop Clock Input Period | 4.0        |      | 5.0        |      | 6.8        |      | 8.0         |      | 10.0                    |      | ns    |
| $f_{MAX}$                                    | Flip-Flop Clock Frequency    |            | 250  |            | 200  |            | 150  |             | 125  |                         | 100  | MHz   |

**Notes:**

- $V_{CC} = 3.0\text{ V}$  for 3.3V specifications.
- For dual-module macros, use  $t_{PD} + t_{RD1} + t_{PDn}$ ,  $t_{CO} + t_{RD1} + t_{PDn}$  or  $t_{PD1} + t_{RD1} + t_{SUD}$ , whichever is appropriate.
- Routing delays are for typical designs across worst-case operating conditions. These parameters should be used for estimating device performance. Post-route timing analysis or simulation is required to determine actual worst-case performance. Post-route timing is based on actual routing delay measurements performed on the device prior to shipment.

## A1425A, A14V25A Timing Characteristics (continued)

(Worst-Case Commercial Conditions)

| I/O Module Input Propagation Delays               |   | '-3' Speed |      | '-2' Speed |      | '-1' Speed |      | 'Std' Speed |      | 3.3V Speed |      |       |
|---|---|------------|------|------------|------|------------|------|-------------|------|------------|------|-------|
| Parameter   | Description                                 | Min.       | Max. | Min.       | Max. | Min.       | Max. | Min.        | Max. | Min.       | Max. | Units |
| t <sub>INY</sub>                                  | Input Data Pad to Y                         |            | 2.8  |            | 3.2  |            | 3.6  |             | 4.2  |            | 5.5  | ns    |
| t <sub>ICKY</sub>                                 | Input Reg IOCLK Pad to Y                    |            | 4.7  |            | 5.3  |            | 6.0  |             | 7.0  |            | 9.2  | ns    |
| t <sub>OOCKY</sub>                                | Output Reg IOCLK Pad to Y                   |            | 4.7  |            | 5.3  |            | 6.0  |             | 7.0  |            | 9.2  | ns    |
| t <sub>ICLRY</sub>                                | Input Asynchronous Clear to Y               |            | 4.7  |            | 5.3  |            | 6.0  |             | 7.0  |            | 9.2  | ns    |
| t <sub>OCLRY</sub>                                | Output Asynchronous Clear to Y              |            | 4.7  |            | 5.3  |            | 6.0  |             | 7.0  |            | 9.2  | ns    |
| <b>Predicted Input Routing Delays<sup>1</sup></b> |   |            |      |            |      |            |      |             |      |            |      |       |
| t <sub>IRD1</sub>                                 | FO=1 Routing Delay                          |            | 0.9  |            | 1.0  |            | 1.1  |             | 1.3  |            | 1.7  | ns    |
| t <sub>IRD2</sub>                                 | FO=2 Routing Delay                          |            | 1.2  |            | 1.4  |            | 1.6  |             | 1.8  |            | 2.4  | ns    |
| t <sub>IRD3</sub>                                 | FO=3 Routing Delay                          |            | 1.4  |            | 1.6  |            | 1.8  |             | 2.1  |            | 2.8  | ns    |
| t <sub>IRD4</sub>                                 | FO=4 Routing Delay                          |            | 1.7  |            | 1.9  |            | 2.2  |             | 2.5  |            | 3.3  | ns    |
| t <sub>IRD8</sub>                                 | FO=8 Routing Delay                          |            | 2.8  |            | 3.2  |            | 3.6  |             | 4.2  |            | 5.5  | ns    |
| <b>I/O Module Sequential Timing</b>               |   |            |      |            |      |            |      |             |      |            |      |       |
| t <sub>INH</sub>                                  | Input F-F Data Hold (w.r.t. IOCLK Pad)      | 0.0        |      | 0.0        |      | 0.0        |      | 0.0         |      | 0.0        |      | ns    |
| t <sub>INSU</sub>                                 | Input F-F Data Setup (w.r.t. IOCLK Pad)     | 1.8        |      | 2.0        |      | 2.3        |      | 2.7         |      | 3.0        |      | ns    |
| t <sub>IDEH</sub>                                 | Input Data Enable Hold (w.r.t. IOCLK Pad)   | 0.0        |      | 0.0        |      | 0.0        |      | 0.0         |      | 0.0        |      | ns    |
| t <sub>IDESU</sub>                                | Input Data Enable Setup (w.r.t. IOCLK Pad)  | 5.8        |      | 6.5        |      | 7.5        |      | 8.6         |      | 8.6        |      | ns    |
| t <sub>OUTH</sub>                                 | Output F-F Data Hold (w.r.t. IOCLK Pad)     | 0.7        |      | 0.8        |      | 0.9        |      | 1.0         |      | 1.0        |      | ns    |
| t <sub>OUTSU</sub>                                | Output F-F Data Setup (w.r.t. IOCLK Pad)    | 0.7        |      | 0.8        |      | 0.9        |      | 1.0         |      | 1.0        |      | ns    |
| t <sub>ODEH</sub>                                 | Output Data Enable Hold (w.r.t. IOCLK Pad)  | 0.3        |      | 0.4        |      | 0.4        |      | 0.5         |      | 0.5        |      | ns    |
| t <sub>ODESU</sub>                                | Output Data Enable Setup (w.r.t. IOCLK Pad) | 1.3        |      | 1.5        |      | 1.7        |      | 2.0         |      | 2.0        |      | ns    |

**Note:**

1. Routing delays are for typical designs across worst-case operating conditions. These parameters should be used for estimating device performance. Post-route timing analysis or simulation is required to determine actual worst-case performance. Post-route timing is based on actual routing delay measurements performed on the device prior to shipment.

## A1425A, A14V25A Timing Characteristics (continued)

(Worst-Case Commercial Conditions)

| I/O Module – TTL Output Timing <sup>1</sup>  |                                     | '–3' Speed |      | '–2' Speed |      | '–1' Speed |      | 'Std' Speed |      | 3.3V Speed |      |       |
|--|-------------------------------------|------------|------|------------|------|------------|------|-------------|------|------------|------|-------|
| Parameter                                    | Description                         | Min.       | Max. | Min.       | Max. | Min.       | Max. | Min.        | Max. | Min.       | Max. | Units |
| t <sub>DHS</sub>                             | Data to Pad, High Slew              |            | 5.0  |            | 5.6  |            | 6.4  |             | 7.5  |            | 9.8  | ns    |
| t <sub>DLS</sub>                             | Data to Pad, Low Slew               |            | 8.0  |            | 9.0  |            | 10.2 |             | 12.0 |            | 15.6 | ns    |
| t <sub>ENZHS</sub>                           | Enable to Pad, Z to H/L,<br>Hi Slew |            | 4.0  |            | 4.5  |            | 5.1  |             | 6.0  |            | 7.8  | ns    |
| t <sub>ENZLS</sub>                           | Enable to Pad, Z to H/L,<br>Lo Slew |            | 7.4  |            | 8.3  |            | 9.4  |             | 11.0 |            | 14.3 | ns    |
| t <sub>ENHSZ</sub>                           | Enable to Pad, H/L to Z,<br>Hi Slew |            | 6.5  |            | 7.5  |            | 8.5  |             | 10.0 |            | 13.0 | ns    |
| t <sub>ENLSZ</sub>                           | Enable to Pad, H/L to Z,<br>Lo Slew |            | 6.5  |            | 7.5  |            | 8.5  |             | 10.0 |            | 13.0 | ns    |
| t <sub>CKHS</sub>                            | IOCLK Pad to Pad H/L,<br>Hi Slew    |            | 7.5  |            | 7.5  |            | 9.0  |             | 10.0 |            | 13.0 | ns    |
| t <sub>CKLS</sub>                            | IOCLK Pad to Pad H/L,<br>Lo Slew    |            | 11.3 |            | 11.3 |            | 13.5 |             | 15.0 |            | 19.5 | ns    |
| d <sub>TLHHS</sub>                           | Delta Low to High, Hi Slew          |            | 0.02 |            | 0.02 |            | 0.03 |             | 0.03 |            | 0.04 | ns/pF |
| d <sub>TLHLS</sub>                           | Delta Low to High, Lo Slew          |            | 0.05 |            | 0.05 |            | 0.06 |             | 0.07 |            | 0.09 | ns/pF |
| d <sub>THLHS</sub>                           | Delta High to Low, Hi Slew          |            | 0.04 |            | 0.04 |            | 0.04 |             | 0.05 |            | 0.07 | ns/pF |
| d <sub>THLLS</sub>                           | Delta High to Low, Lo Slew          |            | 0.05 |            | 0.05 |            | 0.06 |             | 0.07 |            | 0.09 | ns/pF |
| I/O Module – CMOS Output Timing <sup>1</sup> |                                     |            |      |            |      |            |      |             |      |            |      |       |
| t <sub>DHS</sub>                             | Data to Pad, High Slew              |            | 6.2  |            | 7.0  |            | 7.9  |             | 9.3  |            | 12.1 | ns    |
| t <sub>DLS</sub>                             | Data to Pad, Low Slew               |            | 11.7 |            | 13.1 |            | 14.9 |             | 17.5 |            | 22.8 | ns    |
| t <sub>ENZHS</sub>                           | Enable to Pad, Z to H/L,<br>Hi Slew |            | 5.2  |            | 5.9  |            | 6.6  |             | 7.8  |            | 10.1 | ns    |
| t <sub>ENZLS</sub>                           | Enable to Pad, Z to H/L,<br>Lo Slew |            | 8.9  |            | 10.0 |            | 11.3 |             | 13.3 |            | 17.3 | ns    |
| t <sub>ENHSZ</sub>                           | Enable to Pad, H/L to Z,<br>Hi Slew |            | 6.7  |            | 7.5  |            | 8.5  |             | 10.0 |            | 13.0 | ns    |
| t <sub>ENLSZ</sub>                           | Enable to Pad, H/L to Z,<br>Lo Slew |            | 6.7  |            | 7.5  |            | 9.0  |             | 10.0 |            | 13.0 | ns    |
| t <sub>CKHS</sub>                            | IOCLK Pad to Pad H/L,<br>Hi Slew    |            | 8.9  |            | 8.9  |            | 10.7 |             | 11.8 |            | 15.3 | ns    |
| t <sub>CKLS</sub>                            | IOCLK Pad to Pad H/L,<br>Lo Slew    |            | 13.0 |            | 13.0 |            | 15.6 |             | 17.3 |            | 22.5 | ns    |
| d <sub>TLHHS</sub>                           | Delta Low to High, Hi Slew          |            | 0.04 |            | 0.04 |            | 0.05 |             | 0.06 |            | 0.08 | ns/pF |
| d <sub>TLHLS</sub>                           | Delta Low to High, Lo Slew          |            | 0.07 |            | 0.08 |            | 0.09 |             | 0.11 |            | 0.14 | ns/pF |
| d <sub>THLHS</sub>                           | Delta High to Low, Hi Slew          |            | 0.03 |            | 0.03 |            | 0.03 |             | 0.04 |            | 0.05 | ns/pF |
| d <sub>THLLS</sub>                           | Delta High to Low, Lo Slew          |            | 0.04 |            | 0.04 |            | 0.04 |             | 0.05 |            | 0.07 | ns/pF |

**Note:**

1. Delays based on 35pF loading.

## A1425A, A14V25A Timing Characteristics (continued)

(Worst-Case Commercial Conditions)

| <b>Dedicated (Hard-Wired) I/O Clock Network</b>   |  | <b>'-3' Speed</b> |             | <b>'-2' Speed</b> |             | <b>'-1' Speed</b> |             | <b>'Std' Speed</b> |             | <b>3.3V Speed</b> |             |              |
|---|--|-------------------|-------------|-------------------|-------------|-------------------|-------------|--------------------|-------------|-------------------|-------------|--------------|
| <b>Parameter</b>                                  | <b>Description</b>                             | <b>Min.</b>       | <b>Max.</b> | <b>Min.</b>       | <b>Max.</b> | <b>Min.</b>       | <b>Max.</b> | <b>Min.</b>        | <b>Max.</b> | <b>Min.</b>       | <b>Max.</b> | <b>Units</b> |
| t <sub>IOCKH</sub>                                | Input Low to High<br>(Pad to I/O Module Input) |                   | 2.0         |                   | 2.3         |                   | 2.6         |                    | 3.0         |                   | 3.5         | ns           |
| t <sub>IOPWH</sub>                                | Minimum Pulse Width High                       | 1.9               |             | 2.4               |             | 3.3               |             | 3.8                |             | 4.8               |             | ns           |
| t <sub>IOPWL</sub>                                | Minimum Pulse Width Low                        | 1.9               |             | 2.4               |             | 3.3               |             | 3.8                |             | 4.8               |             | ns           |
| t <sub>IOSAPW</sub>                               | Minimum Asynchronous<br>Pulse Width            | 1.9               |             | 2.4               |             | 3.3               |             | 3.8                |             | 4.8               |             | ns           |
| t <sub>IOCKSW</sub>                               | Maximum Skew                                   |                   | 0.4         |                   | 0.4         |                   | 0.4         |                    | 0.4         |                   | 0.4         | ns           |
| t <sub>IOP</sub>                                  | Minimum Period                                 | 4.0               |             | 5.0               |             | 6.8               |             | 8.0                |             | 10.0              |             | ns           |
| f <sub>IOMAX</sub>                                | Maximum Frequency                              |                   | 250         |                   | 200         |                   | 150         |                    | 125         |                   | 100         | MHz          |
| <b>Dedicated (Hard-Wired) Array Clock Network</b> |  |                   |             |                   |             |                   |             |                    |             |                   |             |              |
| t <sub>HCKH</sub>                                 | Input Low to High<br>(Pad to S-Module Input)   |                   | 3.0         |                   | 3.4         |                   | 3.9         |                    | 4.5         |                   | 5.5         | ns           |
| t <sub>HCKL</sub>                                 | Input High to Low<br>(Pad to S-Module Input)   |                   | 3.0         |                   | 3.4         |                   | 3.9         |                    | 4.5         |                   | 5.5         | ns           |
| t <sub>HPWH</sub>                                 | Minimum Pulse Width High                       | 1.9               |             | 2.4               |             | 3.3               |             | 3.8                |             | 4.8               |             | ns           |
| t <sub>HPWL</sub>                                 | Minimum Pulse Width Low                        | 1.9               |             | 2.4               |             | 3.3               |             | 3.8                |             | 4.8               |             | ns           |
| t <sub>HCKSW</sub>                                | Maximum Skew                                   |                   | 0.3         |                   | 0.3         |                   | 0.3         |                    | 0.3         |                   | 0.3         | ns           |
| t <sub>HP</sub>                                   | Minimum Period                                 | 4.0               |             | 5.0               |             | 6.8               |             | 8.0                |             | 10.0              |             | ns           |
| f <sub>HMAX</sub>                                 | Maximum Frequency                              |                   | 250         |                   | 200         |                   | 150         |                    | 125         |                   | 100         | MHz          |
| <b>Routed Array Clock Networks</b>                |  |                   |             |                   |             |                   |             |                    |             |                   |             |              |
| t <sub>RCKH</sub>                                 | Input Low to High (FO=64)                      |                   | 3.7         |                   | 4.1         |                   | 4.7         |                    | 5.5         |                   | 9.0         | ns           |
| t <sub>RCKL</sub>                                 | Input High to Low (FO=64)                      |                   | 4.0         |                   | 4.5         |                   | 5.1         |                    | 6.0         |                   | 9.0         | ns           |
| t <sub>RPWH</sub>                                 | Min. Pulse Width High<br>(FO=64)               | 3.3               |             | 3.8               |             | 4.2               |             | 4.9                |             | 6.5               |             | ns           |
| t <sub>RPWL</sub>                                 | Min. Pulse Width Low<br>(FO=64)                | 3.3               |             | 3.8               |             | 4.2               |             | 4.9                |             | 6.5               |             | ns           |
| t <sub>RCKSW</sub>                                | Maximum Skew (FO=128)                          |                   | 0.7         |                   | 0.8         |                   | 0.9         |                    | 1.0         |                   | 1.0         | ns           |
| t <sub>RP</sub>                                   | Minimum Period (FO=64)                         | 6.8               |             | 8.0               |             | 8.7               |             | 10.0               |             | 13.4              |             | ns           |
| f <sub>RMAX</sub>                                 | Maximum Frequency<br>(FO=64)                   |                   | 150         |                   | 125         |                   | 115         |                    | 100         |                   | 75          | MHz          |
| <b>Clock-to-Clock Skews</b>                       |  |                   |             |                   |             |                   |             |                    |             |                   |             |              |
| t <sub>IOHCKSW</sub>                              | I/O Clock to H-Clock Skew                      | 0.0               | 1.7         | 0.0               | 1.8         | 0.0               | 2.0         | 0.0                | 2.2         | 0.0               | 3.0         | ns           |
| t <sub>IORCKSW</sub>                              | I/O Clock to R-Clock Skew<br>(FO = 64)         | 0.0               | 1.0         | 0.0               | 1.0         | 0.0               | 1.0         | 0.0                | 1.0         | 0.0               | 3.0         | ns           |
|   |  | 0.0               | 3.0         | 0.0               | 3.0         | 0.0               | 3.0         | 0.0                | 3.0         | 0.0               | 3.0         | ns           |
| t <sub>HRCKSW</sub>                               | H-Clock to R-Clock Skew<br>(FO = 64)           | 0.0               | 1.0         | 0.0               | 1.0         | 0.0               | 1.0         | 0.0                | 1.0         | 0.0               | 1.0         | ns           |
|   |  | 0.0               | 3.0         | 0.0               | 3.0         | 0.0               | 3.0         | 0.0                | 3.0         | 0.0               | 3.0         | ns           |

**Note:**

- Delays based on 35pF loading.



## A1440A, A14V40A Timing Characteristics

(Worst-Case Commercial Conditions,  $V_{CC} = 4.75\text{ V}$ ,  $T_J = 70^\circ\text{C}$ )<sup>1</sup>

| Logic Module Propagation Delays <sup>2</sup> |                              | ‘-3’ Speed |      | ‘-2’ Speed |      | ‘-1’ Speed |      | ‘Std’ Speed |      | 3.3V Speed <sup>1</sup> |      |       |
|--|------------------------------|------------|------|------------|------|------------|------|-------------|------|-------------------------|------|-------|
| Parameter                                    | Description                  | Min.       | Max. | Min.       | Max. | Min.       | Max. | Min.        | Max. | Min.                    | Max. | Units |
| $t_{PD}$                                     | Internal Array Module        |            | 2.0  |            | 2.3  |            | 2.6  |             | 3.0  |                         | 3.9  | ns    |
| $t_{CO}$                                     | Sequential Clock to Q        |            | 2.0  |            | 2.3  |            | 2.6  |             | 3.0  |                         | 3.9  | ns    |
| $t_{CLR}$                                    | Asynchronous Clear to Q      |            | 2.0  |            | 2.3  |            | 2.6  |             | 3.0  |                         | 3.9  | ns    |
| Predicted Routing Delays <sup>3</sup>        |                              |            |      |            |      |            |      |             |      |                         |      |       |
| $t_{RD1}$                                    | FO=1 Routing Delay           |            | 0.9  |            | 1.0  |            | 1.1  |             | 1.3  |                         | 1.7  | ns    |
| $t_{RD2}$                                    | FO=2 Routing Delay           |            | 1.2  |            | 1.4  |            | 1.6  |             | 1.8  |                         | 2.4  | ns    |
| $t_{RD3}$                                    | FO=3 Routing Delay           |            | 1.4  |            | 1.6  |            | 1.8  |             | 2.1  |                         | 2.8  | ns    |
| $t_{RD4}$                                    | FO=4 Routing Delay           |            | 1.7  |            | 1.9  |            | 2.2  |             | 2.5  |                         | 3.3  | ns    |
| $t_{RD8}$                                    | FO=8 Routing Delay           |            | 2.8  |            | 3.2  |            | 3.6  |             | 4.2  |                         | 5.5  | ns    |
| Logic Module Sequential Timing               |                              |            |      |            |      |            |      |             |      |                         |      |       |
| $t_{SUD}$                                    | Flip-Flop Data Input Setup   | 0.5        |      | 0.6        |      | 0.7        |      | 0.8         |      | 0.8                     |      | ns    |
| $t_{HD}$                                     | Flip-Flop Data Input Hold    | 0.0        |      | 0.0        |      | 0.0        |      | 0.0         |      | 0.0                     |      | ns    |
| $t_{SUD}$                                    | Latch Data Input Setup       | 0.5        |      | 0.6        |      | 0.7        |      | 0.8         |      | 0.8                     |      | ns    |
| $t_{HD}$                                     | Latch Data Input Hold        | 0.0        |      | 0.0        |      | 0.0        |      | 0.0         |      | 0.0                     |      | ns    |
| $t_{WASYN}$                                  | Asynchronous Pulse Width     | 1.9        |      | 2.4        |      | 3.2        |      | 3.8         |      | 4.8                     |      | ns    |
| $t_{WCLKA}$                                  | Flip-Flop Clock Pulse Width  | 1.9        |      | 2.4        |      | 3.2        |      | 3.8         |      | 4.8                     |      | ns    |
| $t_A$  | Flip-Flop Clock Input Period | 4.0        |      | 5.0        |      | 6.8        |      | 8.0         |      | 10.0                    |      | ns    |
| $f_{MAX}$                                    | Flip-Flop Clock Frequency    |            | 250  |            | 200  |            | 150  |             | 125  |                         | 100  | MHz   |

**Notes:**

- $V_{CC} = 3.0\text{ V}$  for 3.3V specifications.
- For dual-module macros, use  $t_{PD} + t_{RD1} + t_{PDn}$ ,  $t_{CO} + t_{RD1} + t_{PDn}$  or  $t_{PD1} + t_{RD1} + t_{SUD}$ , whichever is appropriate.
- Routing delays are for typical designs across worst-case operating conditions. These parameters should be used for estimating device performance. Post-route timing analysis or simulation is required to determine actual worst-case performance. Post-route timing is based on actual routing delay measurements performed on the device prior to shipment.

## A1440A, A14V40A Timing Characteristics (continued)

(Worst-Case Commercial Conditions)

| I/O Module Input Propagation Delays               |   | '-3' Speed |      | '-2' Speed |      | '-1' Speed |      | 'Std' Speed |      | 3.3V Speed |      |       |
|---|---|------------|------|------------|------|------------|------|-------------|------|------------|------|-------|
| Parameter   | Description                                 | Min.       | Max. | Min.       | Max. | Min.       | Max. | Min.        | Max. | Min.       | Max. | Units |
| t <sub>INY</sub>                                  | Input Data Pad to Y                         |            | 2.8  |            | 3.2  |            | 3.6  |             | 4.2  |            | 5.5  | ns    |
| t <sub>ICKY</sub>                                 | Input Reg IOCLK Pad to Y                    |            | 4.7  |            | 5.3  |            | 6.0  |             | 7.0  |            | 9.2  | ns    |
| t <sub>OOCKY</sub>                                | Output Reg IOCLK Pad to Y                   |            | 4.7  |            | 5.3  |            | 6.0  |             | 7.0  |            | 9.2  | ns    |
| t <sub>ICLRY</sub>                                | Input Asynchronous Clear to Y               |            | 4.7  |            | 5.3  |            | 6.0  |             | 7.0  |            | 9.2  | ns    |
| t <sub>OCLRY</sub>                                | Output Asynchronous Clear to Y              |            | 4.7  |            | 5.3  |            | 6.0  |             | 7.0  |            | 9.2  | ns    |
| <b>Predicted Input Routing Delays<sup>1</sup></b> |   |            |      |            |      |            |      |             |      |            |      |       |
| t <sub>IRD1</sub>                                 | FO=1 Routing Delay                          |            | 0.9  |            | 1.0  |            | 1.1  |             | 1.3  |            | 1.7  | ns    |
| t <sub>IRD2</sub>                                 | FO=2 Routing Delay                          |            | 1.2  |            | 1.4  |            | 1.6  |             | 1.8  |            | 2.4  | ns    |
| t <sub>IRD3</sub>                                 | FO=3 Routing Delay                          |            | 1.4  |            | 1.6  |            | 1.8  |             | 2.1  |            | 2.8  | ns    |
| t <sub>IRD4</sub>                                 | FO=4 Routing Delay                          |            | 1.7  |            | 1.9  |            | 2.2  |             | 2.5  |            | 3.3  | ns    |
| t <sub>IRD8</sub>                                 | FO=8 Routing Delay                          |            | 2.8  |            | 3.2  |            | 3.6  |             | 4.2  |            | 5.5  | ns    |
| <b>I/O Module Sequential Timing</b>               |   |            |      |            |      |            |      |             |      |            |      |       |
| t <sub>INH</sub>                                  | Input F-F Data Hold (w.r.t. IOCLK Pad)      | 0.0        |      | 0.0        |      | 0.0        |      | 0.0         |      | 0.0        |      | ns    |
| t <sub>INSU</sub>                                 | Input F-F Data Setup (w.r.t. IOCLK Pad)     | 1.5        |      | 1.7        |      | 2.0        |      | 2.3         |      | 2.3        |      | ns    |
| t <sub>IDEH</sub>                                 | Input Data Enable Hold (w.r.t. IOCLK Pad)   | 0.0        |      | 0.0        |      | 0.0        |      | 0.0         |      | 0.0        |      | ns    |
| t <sub>IDESU</sub>                                | Input Data Enable Setup (w.r.t. IOCLK Pad)  | 5.8        |      | 6.5        |      | 7.5        |      | 8.6         |      | 8.6        |      | ns    |
| t <sub>OUTH</sub>                                 | Output F-F Data Hold (w.r.t. IOCLK Pad)     | 0.7        |      | 0.8        |      | 0.9        |      | 1.0         |      | 1.0        |      | ns    |
| t <sub>OUTSU</sub>                                | Output F-F Data Setup (w.r.t. IOCLK Pad)    | 0.7        |      | 0.8        |      | 0.9        |      | 1.0         |      | 1.0        |      | ns    |
| t <sub>ODEH</sub>                                 | Output Data Enable Hold (w.r.t. IOCLK Pad)  | 0.3        |      | 0.4        |      | 0.4        |      | 0.5         |      | 0.5        |      | ns    |
| t <sub>ODESU</sub>                                | Output Data Enable Setup (w.r.t. IOCLK Pad) | 1.3        |      | 1.5        |      | 1.7        |      | 2.0         |      | 2.0        |      | ns    |

**Note:**

1. Routing delays are for typical designs across worst-case operating conditions. These parameters should be used for estimating device performance. Post-route timing analysis or simulation is required to determine actual worst-case performance. Post-route timing is based on actual routing delay measurements performed on the device prior to shipment.

## A1440A, A14V40A Timing Characteristics (continued)

(Worst-Case Commercial Conditions)

| I/O Module – TTL Output Timing <sup>1</sup>  |                                  | ‘-3’ Speed |      | ‘-2’ Speed |      | ‘-1’ Speed |      | ‘Std’ Speed |      | 3.3V Speed |      |       |
|--|----------------------------------|------------|------|------------|------|------------|------|-------------|------|------------|------|-------|
| Parameter                                    | Description                      | Min.       | Max. | Min.       | Max. | Min.       | Max. | Min.        | Max. | Min.       | Max. | Units |
| t <sub>DHS</sub>                             | Data to Pad, High Slew           |            | 5.0  |            | 5.6  |            | 6.4  |             | 7.5  |            | 9.8  | ns    |
| t <sub>DLS</sub>                             | Data to Pad, Low Slew            |            | 8.0  |            | 9.0  |            | 10.2 |             | 12.0 |            | 15.6 | ns    |
| t <sub>ENZHS</sub>                           | Enable to Pad, Z to H/L, Hi Slew |            | 4.0  |            | 4.5  |            | 5.1  |             | 6.0  |            | 7.8  | ns    |
| t <sub>ENZLS</sub>                           | Enable to Pad, Z to H/L, Lo Slew |            | 7.4  |            | 8.3  |            | 9.4  |             | 11.0 |            | 14.3 | ns    |
| t <sub>ENHSZ</sub>                           | Enable to Pad, H/L to Z, Hi Slew |            | 7.4  |            | 8.3  |            | 9.4  |             | 11.0 |            | 14.3 | ns    |
| t <sub>ENLSZ</sub>                           | Enable to Pad, H/L to Z, Lo Slew |            | 7.4  |            | 8.3  |            | 9.4  |             | 11.0 |            | 14.3 | ns    |
| t <sub>CKHS</sub>                            | IOCLK Pad to Pad H/L, Hi Slew    |            | 8.5  |            | 8.5  |            | 9.5  |             | 11.0 |            | 14.3 | ns    |
| t <sub>CKLS</sub>                            | IOCLK Pad to Pad H/L, Lo Slew    |            | 11.3 |            | 11.3 |            | 13.5 |             | 15.0 |            | 19.5 | ns    |
| d <sub>TLHHS</sub>                           | Delta Low to High, Hi Slew       |            | 0.02 |            | 0.02 |            | 0.03 |             | 0.03 |            | 0.04 | ns/pF |
| d <sub>TLHLS</sub>                           | Delta Low to High, Lo Slew       |            | 0.05 |            | 0.05 |            | 0.06 |             | 0.07 |            | 0.09 | ns/pF |
| d <sub>THLHS</sub>                           | Delta High to Low, Hi Slew       |            | 0.04 |            | 0.04 |            | 0.04 |             | 0.05 |            | 0.07 | ns/pF |
| d <sub>THLLS</sub>                           | Delta High to Low, Lo Slew       |            | 0.05 |            | 0.05 |            | 0.06 |             | 0.07 |            | 0.09 | ns/pF |
| I/O Module – CMOS Output Timing <sup>1</sup> |                                  |            |      |            |      |            |      |             |      |            |      |       |
| t <sub>DHS</sub>                             | Data to Pad, High Slew           |            | 6.2  |            | 7.0  |            | 7.9  |             | 9.3  |            | 12.1 | ns    |
| t <sub>DLS</sub>                             | Data to Pad, Low Slew            |            | 11.7 |            | 13.1 |            | 14.9 |             | 17.5 |            | 22.8 | ns    |
| t <sub>ENZHS</sub>                           | Enable to Pad, Z to H/L, Hi Slew |            | 5.2  |            | 5.9  |            | 6.6  |             | 7.8  |            | 10.1 | ns    |
| t <sub>ENZLS</sub>                           | Enable to Pad, Z to H/L, Lo Slew |            | 8.9  |            | 10.0 |            | 11.3 |             | 13.3 |            | 17.3 | ns    |
| t <sub>ENHSZ</sub>                           | Enable to Pad, H/L to Z, Hi Slew |            | 7.4  |            | 8.3  |            | 9.4  |             | 11.0 |            | 14.3 | ns    |
| t <sub>ENLSZ</sub>                           | Enable to Pad, H/L to Z, Lo Slew |            | 7.4  |            | 8.3  |            | 9.4  |             | 11.0 |            | 14.3 | ns    |
| t <sub>CKHS</sub>                            | IOCLK Pad to Pad H/L, Hi Slew    |            | 9.0  |            | 9.0  |            | 10.1 |             | 11.8 |            | 14.3 | ns    |
| t <sub>CKLS</sub>                            | IOCLK Pad to Pad H/L, Lo Slew    |            | 13.0 |            | 13.0 |            | 15.6 |             | 17.3 |            | 22.5 | ns    |
| d <sub>TLHHS</sub>                           | Delta Low to High, Hi Slew       |            | 0.04 |            | 0.04 |            | 0.05 |             | 0.06 |            | 0.08 | ns/pF |
| d <sub>TLHLS</sub>                           | Delta Low to High, Lo Slew       |            | 0.07 |            | 0.08 |            | 0.09 |             | 0.11 |            | 0.14 | ns/pF |
| d <sub>THLHS</sub>                           | Delta High to Low, Hi Slew       |            | 0.03 |            | 0.03 |            | 0.03 |             | 0.04 |            | 0.05 | ns/pF |
| d <sub>THLLS</sub>                           | Delta High to Low, Lo Slew       |            | 0.04 |            | 0.04 |            | 0.04 |             | 0.05 |            | 0.07 | ns/pF |

**Note:**

1. Delays based on 35pF loading.

## A1440A, A14V40A Timing Characteristics (continued)

(Worst-Case Commercial Conditions)

| <b>Dedicated (Hard-Wired) I/O Clock Network</b>   |  | <b>'-3' Speed</b> |             | <b>'-2' Speed</b> |             | <b>'-1' Speed</b> |             | <b>'Std' Speed</b> |             | <b>3.3V Speed</b> |             |              |
|---|--|-------------------|-------------|-------------------|-------------|-------------------|-------------|--------------------|-------------|-------------------|-------------|--------------|
| <b>Parameter</b>                                  | <b>Description</b>                             | <b>Min.</b>       | <b>Max.</b> | <b>Min.</b>       | <b>Max.</b> | <b>Min.</b>       | <b>Max.</b> | <b>Min.</b>        | <b>Max.</b> | <b>Min.</b>       | <b>Max.</b> | <b>Units</b> |
| t <sub>IOCKH</sub>                                | Input Low to High<br>(Pad to I/O Module Input) |                   | 2.0         |                   | 2.3         |                   | 2.6         |                    | 3.0         |                   | 3.5         | ns           |
| t <sub>IOPWH</sub>                                | Minimum Pulse Width High                       | 1.9               |             | 2.4               |             | 3.3               |             | 3.8                |             | 4.8               |             | ns           |
| t <sub>IOPWL</sub>                                | Minimum Pulse Width Low                        | 1.9               |             | 2.4               |             | 3.3               |             | 3.8                |             | 4.8               |             | ns           |
| t <sub>IOSAPW</sub>                               | Minimum Asynchronous<br>Pulse Width            | 1.9               |             | 2.4               |             | 3.3               |             | 3.8                |             | 4.8               |             | ns           |
| t <sub>IOCKSW</sub>                               | Maximum Skew                                   |                   | 0.4         |                   | 0.4         |                   | 0.4         |                    | 0.4         |                   | 0.4         | ns           |
| t <sub>IOP</sub>                                  | Minimum Period                                 | 4.0               |             | 5.0               |             | 6.8               |             | 8.0                |             | 10.0              |             | ns           |
| f <sub>IOMAX</sub>                                | Maximum Frequency                              |                   | 250         |                   | 200         |                   | 150         |                    | 125         |                   | 100         | MHz          |
| <b>Dedicated (Hard-Wired) Array Clock Network</b> |  |                   |             |                   |             |                   |             |                    |             |                   |             |              |
| t <sub>HCKH</sub>                                 | Input Low to High<br>(Pad to S-Module Input)   |                   | 3.0         |                   | 3.4         |                   | 3.9         |                    | 4.5         |                   | 5.5         | ns           |
| t <sub>HCKL</sub>                                 | Input High to Low<br>(Pad to S-Module Input)   |                   | 3.0         |                   | 3.4         |                   | 3.9         |                    | 4.5         |                   | 5.5         | ns           |
| t <sub>HPWH</sub>                                 | Minimum Pulse Width High                       | 1.9               |             | 2.4               |             | 3.3               |             | 3.8                |             | 4.8               |             | ns           |
| t <sub>HPWL</sub>                                 | Minimum Pulse Width Low                        | 1.9               |             | 2.4               |             | 3.3               |             | 3.8                |             | 4.8               |             | ns           |
| t <sub>HCKSW</sub>                                | Maximum Skew                                   |                   | 0.3         |                   | 0.3         |                   | 0.3         |                    | 0.3         |                   | 0.3         | ns           |
| t <sub>HP</sub>                                   | Minimum Period                                 | 4.0               |             | 5.0               |             | 6.8               |             | 8.0                |             | 10.0              |             | ns           |
| f <sub>HMAX</sub>                                 | Maximum Frequency                              |                   | 250         |                   | 200         |                   | 150         |                    | 125         |                   | 100         | MHz          |
| <b>Routed Array Clock Networks</b>                |  |                   |             |                   |             |                   |             |                    |             |                   |             |              |
| t <sub>RCKH</sub>                                 | Input Low to High (FO=64)                      |                   | 3.7         |                   | 4.1         |                   | 4.7         |                    | 5.5         |                   | 9.0         | ns           |
| t <sub>RCKL</sub>                                 | Input High to Low (FO=64)                      |                   | 4.0         |                   | 4.5         |                   | 5.1         |                    | 6.0         |                   | 9.0         | ns           |
| t <sub>RPWH</sub>                                 | Min. Pulse Width High<br>(FO=64)               | 3.3               |             | 3.8               |             | 4.2               |             | 4.9                |             | 6.5               |             | ns           |
| t <sub>RPWL</sub>                                 | Min. Pulse Width Low<br>(FO=64)                | 3.3               |             | 3.8               |             | 4.2               |             | 4.9                |             | 6.5               |             | ns           |
| t <sub>RCKSW</sub>                                | Maximum Skew (FO=128)                          |                   | 0.7         |                   | 0.8         |                   | 0.9         |                    | 1.0         |                   | 1.0         | ns           |
| t <sub>RP</sub>                                   | Minimum Period (FO=64)                         | 6.8               |             | 8.0               |             | 8.7               |             | 10.0               |             | 13.4              |             | ns           |
| f <sub>RMAX</sub>                                 | Maximum Frequency<br>(FO=64)                   |                   | 150         |                   | 125         |                   | 115         |                    | 100         |                   | 75          | MHz          |
| <b>Clock-to-Clock Skews</b>                       |  |                   |             |                   |             |                   |             |                    |             |                   |             |              |
| t <sub>IOHCKSW</sub>                              | I/O Clock to H-Clock Skew                      | 0.0               | 1.7         | 0.0               | 1.8         | 0.0               | 2.0         | 0.0                | 2.2         | 0.0               | 3.0         | ns           |
| t <sub>IORCKSW</sub>                              | I/O Clock to R-Clock Skew<br>(FO = 64)         | 0.0               | 1.0         | 0.0               | 1.0         | 0.0               | 1.0         | 0.0                | 1.0         | 0.0               | 3.0         | ns           |
|   |  | 0.0               | 3.0         | 0.0               | 3.0         | 0.0               | 3.0         | 0.0                | 3.0         | 0.0               | 3.0         | ns           |
| t <sub>HRCKSW</sub>                               | H-Clock to R-Clock Skew<br>(FO = 64)           | 0.0               | 1.0         | 0.0               | 1.0         | 0.0               | 1.0         | 0.0                | 1.0         | 0.0               | 1.0         | ns           |
|   |  | 0.0               | 3.0         | 0.0               | 3.0         | 0.0               | 3.0         | 0.0                | 3.0         | 0.0               | 3.0         | ns           |

**Note:**

- Delays based on 35pF loading.

## A1460A, A14V60A Timing Characteristics

(Worst-Case Commercial Conditions,  $V_{CC} = 4.75\text{ V}$ ,  $T_J = 70^\circ\text{C}$ )<sup>1</sup>

| Logic Module Propagation Delays <sup>2</sup> |                              | ‘-3’ Speed |      | ‘-2’ Speed |      | ‘-1’ Speed |      | ‘Std’ Speed |      | 3.3V Speed <sup>1</sup> |      |       |
|--|------------------------------|------------|------|------------|------|------------|------|-------------|------|-------------------------|------|-------|
| Parameter                                    | Description                  | Min.       | Max. | Min.       | Max. | Min.       | Max. | Min.        | Max. | Min.                    | Max. | Units |
| $t_{PD}$                                     | Internal Array Module        |            | 2.0  |            | 2.3  |            | 2.6  |             | 3.0  |                         | 3.9  | ns    |
| $t_{CO}$                                     | Sequential Clock to Q        |            | 2.0  |            | 2.3  |            | 2.6  |             | 3.0  |                         | 3.9  | ns    |
| $t_{CLR}$                                    | Asynchronous Clear to Q      |            | 2.0  |            | 2.3  |            | 2.6  |             | 3.0  |                         | 3.9  | ns    |
| Predicted Routing Delays <sup>3</sup>        |                              |            |      |            |      |            |      |             |      |                         |      |       |
| $t_{RD1}$                                    | FO=1 Routing Delay           |            | 0.9  |            | 1.0  |            | 1.1  |             | 1.3  |                         | 1.7  | ns    |
| $t_{RD2}$                                    | FO=2 Routing Delay           |            | 1.2  |            | 1.4  |            | 1.6  |             | 1.8  |                         | 2.4  | ns    |
| $t_{RD3}$                                    | FO=3 Routing Delay           |            | 1.4  |            | 1.6  |            | 1.8  |             | 2.1  |                         | 2.8  | ns    |
| $t_{RD4}$                                    | FO=4 Routing Delay           |            | 1.7  |            | 1.9  |            | 2.2  |             | 2.5  |                         | 3.3  | ns    |
| $t_{RD8}$                                    | FO=8 Routing Delay           |            | 2.8  |            | 3.2  |            | 3.6  |             | 4.2  |                         | 5.5  | ns    |
| Logic Module Sequential Timing               |                              |            |      |            |      |            |      |             |      |                         |      |       |
| $t_{SUD}$                                    | Flip-Flop Data Input Setup   | 0.5        |      | 0.6        |      | 0.7        |      | 0.8         |      | 0.8                     |      | ns    |
| $t_{HD}$                                     | Flip-Flop Data Input Hold    | 0.0        |      | 0.0        |      | 0.0        |      | 0.0         |      | 0.0                     |      | ns    |
| $t_{SUD}$                                    | Latch Data Input Setup       | 0.5        |      | 0.6        |      | 0.7        |      | 0.8         |      | 0.8                     |      | ns    |
| $t_{HD}$                                     | Latch Data Input Hold        | 0.0        |      | 0.0        |      | 0.0        |      | 0.0         |      | 0.0                     |      | ns    |
| $t_{WASYN}$                                  | Asynchronous Pulse Width     | 2.4        |      | 3.2        |      | 3.8        |      | 4.8         |      | 6.5                     |      | ns    |
| $t_{WCLKA}$                                  | Flip-Flop Clock Pulse Width  | 2.4        |      | 3.2        |      | 3.8        |      | 4.8         |      | 6.5                     |      | ns    |
| $t_A$  | Flip-Flop Clock Input Period | 5.0        |      | 6.8        |      | 8.0        |      | 10.0        |      | 13.4                    |      | ns    |
| $f_{MAX}$                                    | Flip-Flop Clock Frequency    |            | 200  |            | 150  |            | 125  |             | 100  |                         | 75   | MHz   |

**Notes:**

- $V_{CC} = 3.0\text{ V}$  for 3.3V specifications.
- For dual-module macros, use  $t_{PD} + t_{RD1} + t_{PDn}$ ,  $t_{CO} + t_{RD1} + t_{PDn}$  or  $t_{PD1} + t_{RD1} + t_{SUD}$ , whichever is appropriate.
- Routing delays are for typical designs across worst-case operating conditions. These parameters should be used for estimating device performance. Post-route timing analysis or simulation is required to determine actual worst-case performance. Post-route timing is based on actual routing delay measurements performed on the device prior to shipment.

## A1460A, A14V60A Timing Characteristics (continued)

(Worst-Case Commercial Conditions)

| I/O Module Input Propagation Delays               |   | '-3' Speed |      | '-2' Speed |      | '-1' Speed |      | 'Std' Speed |      | 3.3V Speed |      |       |
|---|---|------------|------|------------|------|------------|------|-------------|------|------------|------|-------|
| Parameter   | Description                                 | Min.       | Max. | Min.       | Max. | Min.       | Max. | Min.        | Max. | Min.       | Max. | Units |
| t <sub>INY</sub>                                  | Input Data Pad to Y                         |            | 2.8  |            | 3.2  |            | 3.6  |             | 4.2  |            | 5.5  | ns    |
| t <sub>ICKY</sub>                                 | Input Reg IOCLK Pad to Y                    |            | 4.7  |            | 5.3  |            | 6.0  |             | 7.0  |            | 9.2  | ns    |
| t <sub>OOCKY</sub>                                | Output Reg IOCLK Pad to Y                   |            | 4.7  |            | 5.3  |            | 6.0  |             | 7.0  |            | 9.2  | ns    |
| t <sub>ICLRY</sub>                                | Input Asynchronous Clear to Y               |            | 4.7  |            | 5.3  |            | 6.0  |             | 7.0  |            | 9.2  | ns    |
| t <sub>OCLRY</sub>                                | Output Asynchronous Clear to Y              |            | 4.7  |            | 5.3  |            | 6.0  |             | 7.0  |            | 9.2  | ns    |
| <b>Predicted Input Routing Delays<sup>1</sup></b> |   |            |      |            |      |            |      |             |      |            |      |       |
| t <sub>IRD1</sub>                                 | FO=1 Routing Delay                          |            | 0.9  |            | 1.0  |            | 1.1  |             | 1.3  |            | 1.7  | ns    |
| t <sub>IRD2</sub>                                 | FO=2 Routing Delay                          |            | 1.2  |            | 1.4  |            | 1.6  |             | 1.8  |            | 2.4  | ns    |
| t <sub>IRD3</sub>                                 | FO=3 Routing Delay                          |            | 1.4  |            | 1.6  |            | 1.8  |             | 2.1  |            | 2.8  | ns    |
| t <sub>IRD4</sub>                                 | FO=4 Routing Delay                          |            | 1.7  |            | 1.9  |            | 2.2  |             | 2.5  |            | 3.3  | ns    |
| t <sub>IRD8</sub>                                 | FO=8 Routing Delay                          |            | 2.8  |            | 3.2  |            | 3.6  |             | 4.2  |            | 5.5  | ns    |
| <b>I/O Module Sequential Timing</b>               |   |            |      |            |      |            |      |             |      |            |      |       |
| t <sub>INH</sub>                                  | Input F-F Data Hold (w.r.t. IOCLK Pad)      | 0.0        |      | 0.0        |      | 0.0        |      | 0.0         |      | 0.0        |      | ns    |
| t <sub>INSU</sub>                                 | Input F-F Data Setup (w.r.t. IOCLK Pad)     | 1.3        |      | 1.5        |      | 1.8        |      | 2.0         |      | 2.0        |      | ns    |
| t <sub>IDEH</sub>                                 | Input Data Enable Hold (w.r.t. IOCLK Pad)   | 0.0        |      | 0.0        |      | 0.0        |      | 0.0         |      | 0.0        |      | ns    |
| t <sub>IDESU</sub>                                | Input Data Enable Setup (w.r.t. IOCLK Pad)  | 5.8        |      | 6.5        |      | 7.5        |      | 8.6         |      | 8.6        |      | ns    |
| t <sub>OUTH</sub>                                 | Output F-F Data Hold (w.r.t. IOCLK Pad)     | 0.7        |      | 0.8        |      | 0.9        |      | 1.0         |      | 1.0        |      | ns    |
| t <sub>OUTSU</sub>                                | Output F-F Data Setup (w.r.t. IOCLK Pad)    | 0.7        |      | 0.8        |      | 0.9        |      | 1.0         |      | 1.0        |      | ns    |
| t <sub>ODEH</sub>                                 | Output Data Enable Hold (w.r.t. IOCLK Pad)  | 0.3        |      | 0.4        |      | 0.4        |      | 0.5         |      | 0.5        |      | ns    |
| t <sub>ODESU</sub>                                | Output Data Enable Setup (w.r.t. IOCLK Pad) | 1.3        |      | 1.5        |      | 1.7        |      | 2.0         |      | 2.0        |      | ns    |

**Note:**

1. Routing delays are for typical designs across worst-case operating conditions. These parameters should be used for estimating device performance. Post-route timing analysis or simulation is required to determine actual worst-case performance. Post-route timing is based on actual routing delay measurements performed on the device prior to shipment.

## A1460A, A14V60A Timing Characteristics (continued)

(Worst-Case Commercial Conditions)

| I/O Module – TTL Output Timing <sup>1</sup>  |                                  | ‘-3’ Speed |      | ‘-2’ Speed |      | ‘-1’ Speed |      | ‘Std’ Speed |      | 3.3V Speed |      |       |
|--|----------------------------------|------------|------|------------|------|------------|------|-------------|------|------------|------|-------|
| Parameter                                    | Description                      | Min.       | Max. | Min.       | Max. | Min.       | Max. | Min.        | Max. | Min.       | Max. | Units |
| t <sub>DHS</sub>                             | Data to Pad, High Slew           |            | 5.0  |            | 5.6  |            | 6.4  |             | 7.5  |            | 9.8  | ns    |
| t <sub>DLS</sub>                             | Data to Pad, Low Slew            |            | 8.0  |            | 9.0  |            | 10.2 |             | 12.0 |            | 15.6 | ns    |
| t <sub>ENZHS</sub>                           | Enable to Pad, Z to H/L, Hi Slew |            | 4.0  |            | 4.5  |            | 5.1  |             | 6.0  |            | 7.8  | ns    |
| t <sub>ENZLS</sub>                           | Enable to Pad, Z to H/L, Lo Slew |            | 7.4  |            | 8.3  |            | 9.4  |             | 11.0 |            | 14.3 | ns    |
| t <sub>ENHSZ</sub>                           | Enable to Pad, H/L to Z, Hi Slew |            | 7.8  |            | 8.7  |            | 9.9  |             | 11.6 |            | 15.1 | ns    |
| t <sub>ENLSZ</sub>                           | Enable to Pad, H/L to Z, Lo Slew |            | 7.4  |            | 8.3  |            | 9.4  |             | 11.0 |            | 14.3 | ns    |
| t <sub>CKHS</sub>                            | IOCLK Pad to Pad H/L, Hi Slew    |            | 9.0  |            | 9.0  |            | 10.0 |             | 11.5 |            | 15.0 | ns    |
| t <sub>CKLS</sub>                            | IOCLK Pad to Pad H/L, Lo Slew    |            | 12.8 |            | 12.8 |            | 15.3 |             | 17.0 |            | 22.1 | ns    |
| d <sub>TLHHS</sub>                           | Delta Low to High, Hi Slew       |            | 0.02 |            | 0.02 |            | 0.03 |             | 0.03 |            | 0.04 | ns/pF |
| d <sub>TLHLS</sub>                           | Delta Low to High, Lo Slew       |            | 0.05 |            | 0.05 |            | 0.06 |             | 0.07 |            | 0.09 | ns/pF |
| d <sub>THLHS</sub>                           | Delta High to Low, Hi Slew       |            | 0.04 |            | 0.04 |            | 0.04 |             | 0.05 |            | 0.07 | ns/pF |
| d <sub>THLLS</sub>                           | Delta High to Low, Lo Slew       |            | 0.05 |            | 0.05 |            | 0.06 |             | 0.07 |            | 0.09 | ns/pF |
| I/O Module – CMOS Output Timing <sup>1</sup> |                                  |            |      |            |      |            |      |             |      |            |      |       |
| t <sub>DHS</sub>                             | Data to Pad, High Slew           |            | 6.2  |            | 7.0  |            | 7.9  |             | 9.3  |            | 12.1 | ns    |
| t <sub>DLS</sub>                             | Data to Pad, Low Slew            |            | 11.7 |            | 13.1 |            | 14.9 |             | 17.5 |            | 22.8 | ns    |
| t <sub>ENZHS</sub>                           | Enable to Pad, Z to H/L, Hi Slew |            | 5.2  |            | 5.9  |            | 6.6  |             | 7.8  |            | 10.1 | ns    |
| t <sub>ENZLS</sub>                           | Enable to Pad, Z to H/L, Lo Slew |            | 8.9  |            | 10.0 |            | 11.3 |             | 13.3 |            | 17.3 | ns    |
| t <sub>ENHSZ</sub>                           | Enable to Pad, H/L to Z, Hi Slew |            | 7.4  |            | 8.3  |            | 9.4  |             | 11.0 |            | 14.3 | ns    |
| t <sub>ENLSZ</sub>                           | Enable to Pad, H/L to Z, Lo Slew |            | 7.4  |            | 8.3  |            | 9.4  |             | 11.0 |            | 14.3 | ns    |
| t <sub>CKHS</sub>                            | IOCLK Pad to Pad H/L, Hi Slew    |            | 10.4 |            | 10.4 |            | 12.1 |             | 13.8 |            | 17.9 | ns    |
| t <sub>CKLS</sub>                            | IOCLK Pad to Pad H/L, Lo Slew    |            | 14.5 |            | 14.5 |            | 17.4 |             | 19.3 |            | 25.1 | ns    |
| d <sub>TLHHS</sub>                           | Delta Low to High, Hi Slew       |            | 0.04 |            | 0.04 |            | 0.05 |             | 0.06 |            | 0.08 | ns/pF |
| d <sub>TLHLS</sub>                           | Delta Low to High, Lo Slew       |            | 0.07 |            | 0.08 |            | 0.09 |             | 0.11 |            | 0.14 | ns/pF |
| d <sub>THLHS</sub>                           | Delta High to Low, Hi Slew       |            | 0.03 |            | 0.03 |            | 0.03 |             | 0.04 |            | 0.05 | ns/pF |
| d <sub>THLLS</sub>                           | Delta High to Low, Lo Slew       |            | 0.04 |            | 0.04 |            | 0.04 |             | 0.05 |            | 0.07 | ns/pF |

**Note:**

1. Delays based on 35pF loading.

## A1460A, A14V60A Timing Characteristics (continued)

(Worst-Case Commercial Conditions)

| <b>Dedicated (Hard-Wired) I/O Clock Network</b>   |  | <b>'-3' Speed</b> |             | <b>'-2' Speed</b> |             | <b>'-1' Speed</b> |             | <b>'Std' Speed</b> |             | <b>3.3V Speed</b> |             |              |
|---|--|-------------------|-------------|-------------------|-------------|-------------------|-------------|--------------------|-------------|-------------------|-------------|--------------|
| <b>Parameter</b>                                  | <b>Description</b>                             | <b>Min.</b>       | <b>Max.</b> | <b>Min.</b>       | <b>Max.</b> | <b>Min.</b>       | <b>Max.</b> | <b>Min.</b>        | <b>Max.</b> | <b>Min.</b>       | <b>Max.</b> | <b>Units</b> |
| t <sub>IOCKH</sub>                                | Input Low to High<br>(Pad to I/O Module Input) |                   | 2.3         |                   | 2.6         |                   | 3.0         |                    | 3.5         |                   | 4.5         | ns           |
| t <sub>IOPWH</sub>                                | Minimum Pulse Width High                       | 2.4               |             | 3.2               |             | 3.8               |             | 4.8                |             | 6.5               |             | ns           |
| t <sub>IOPWL</sub>                                | Minimum Pulse Width Low                        | 2.4               |             | 3.2               |             | 3.8               |             | 4.8                |             | 6.5               |             | ns           |
| t <sub>IOSAPW</sub>                               | Minimum Asynchronous<br>Pulse Width            | 2.4               |             | 3.2               |             | 3.8               |             | 4.8                |             | 6.5               |             | ns           |
| t <sub>IOCKSW</sub>                               | Maximum Skew                                   |                   | 0.6         |                   | 0.6         |                   | 0.6         |                    | 0.6         |                   | 0.6         | ns           |
| t <sub>IOP</sub>                                  | Minimum Period                                 | 5.0               |             | 6.8               |             | 8.0               |             | 10.0               |             | 13.4              |             | ns           |
| f <sub>IOMAX</sub>                                | Maximum Frequency                              |                   | 200         |                   | 150         |                   | 125         |                    | 100         |                   | 75          | MHz          |
| <b>Dedicated (Hard-Wired) Array Clock Network</b> |  |                   |             |                   |             |                   |             |                    |             |                   |             |              |
| t <sub>HCKH</sub>                                 | Input Low to High<br>(Pad to S-Module Input)   |                   | 3.7         |                   | 4.1         |                   | 4.7         |                    | 5.5         |                   | 7.0         | ns           |
| t <sub>HCKL</sub>                                 | Input High to Low<br>(Pad to S-Module Input)   |                   | 3.7         |                   | 4.1         |                   | 4.7         |                    | 5.5         |                   | 7.0         | ns           |
| t <sub>HPWH</sub>                                 | Minimum Pulse Width High                       | 2.4               |             | 3.2               |             | 3.8               |             | 4.8                |             | 6.5               |             | ns           |
| t <sub>HPWL</sub>                                 | Minimum Pulse Width Low                        | 2.4               |             | 3.2               |             | 3.8               |             | 4.8                |             | 6.5               |             | ns           |
| t <sub>HCKSW</sub>                                | Maximum Skew                                   |                   | 0.6         |                   | 0.6         |                   | 0.6         |                    | 0.6         |                   | 0.6         | ns           |
| t <sub>HP</sub>                                   | Minimum Period                                 | 5.0               |             | 6.8               |             | 8.0               |             | 10.0               |             | 13.4              |             | ns           |
| f <sub>HMAX</sub>                                 | Maximum Frequency                              |                   | 200         |                   | 150         |                   | 125         |                    | 100         |                   | 75          | MHz          |
| <b>Routed Array Clock Networks</b>                |  |                   |             |                   |             |                   |             |                    |             |                   |             |              |
| t <sub>RCKH</sub>                                 | Input Low to High (FO=256)                     |                   | 6.0         |                   | 6.8         |                   | 7.7         |                    | 9.0         |                   | 11.8        | ns           |
| t <sub>RCKL</sub>                                 | Input High to Low (FO=256)                     |                   | 6.0         |                   | 6.8         |                   | 7.7         |                    | 9.0         |                   | 11.8        | ns           |
| t <sub>RPWH</sub>                                 | Min. Pulse Width High<br>(FO=256)              | 4.1               |             | 4.5               |             | 5.4               |             | 6.1                |             | 8.2               |             | ns           |
| t <sub>RPWL</sub>                                 | Min. Pulse Width Low<br>(FO=256)               | 4.1               |             | 4.5               |             | 5.4               |             | 6.1                |             | 8.2               |             | ns           |
| t <sub>RCKSW</sub>                                | Maximum Skew (FO=128)                          |                   | 1.2         |                   | 1.4         |                   | 1.6         |                    | 1.8         |                   | 1.8         | ns           |
| t <sub>RP</sub>                                   | Minimum Period (FO=256)                        | 8.3               |             | 9.3               |             | 11.1              |             | 12.5               |             | 16.7              |             | ns           |
| f <sub>RMAX</sub>                                 | Maximum Frequency<br>(FO=256)                  |                   | 120         |                   | 105         |                   | 90          |                    | 80          |                   | 60          | MHz          |
| <b>Clock-to-Clock Skews</b>                       |  |                   |             |                   |             |                   |             |                    |             |                   |             |              |
| t <sub>IOHCKSW</sub>                              | I/O Clock to H-Clock Skew                      | 0.0               | 2.6         | 0.0               | 2.7         | 0.0               | 2.9         | 0.0                | 3.0         | 0.0               | 3.0         | ns           |
| t <sub>IORCKSW</sub>                              | I/O Clock to R-Clock Skew<br>(FO = 64)         | 0.0               | 1.7         | 0.0               | 1.7         | 0.0               | 1.7         | 0.0                | 1.7         | 0.0               | 5.0         | ns           |
|   |  | 0.0               | 5.0         | 0.0               | 5.0         | 0.0               | 5.0         | 0.0                | 5.0         | 0.0               | 5.0         | ns           |
| t <sub>HRCKSW</sub>                               | H-Clock to R-Clock Skew<br>(FO = 64)           | 0.0               | 1.3         | 0.0               | 1.0         | 0.0               | 1.0         | 0.0                | 1.0         | 0.0               | 1.0         | ns           |
|   |  | 0.0               | 3.0         | 0.0               | 3.0         | 0.0               | 3.0         | 0.0                | 3.0         | 0.0               | 3.0         | ns           |

**Note:**

- Delays based on 35pF loading.



## A14100A, A14V100A Timing Characteristics

(Worst-Case Commercial Conditions,  $V_{CC} = 4.75\text{ V}$ ,  $T_J = 70^\circ\text{C}$ )<sup>1</sup>

| Logic Module Propagation Delays <sup>2</sup> |                              | ‘-3’ Speed |      | ‘-2’ Speed |      | ‘-1’ Speed |      | ‘Std’ Speed |      | 3.3V Speed <sup>1</sup> |      |       |
|--|------------------------------|------------|------|------------|------|------------|------|-------------|------|-------------------------|------|-------|
| Parameter                                    | Description                  | Min.       | Max. | Min.       | Max. | Min.       | Max. | Min.        | Max. | Min.                    | Max. | Units |
| $t_{PD}$                                     | Internal Array Module        |            | 2.0  |            | 2.3  |            | 2.6  |             | 3.0  |                         | 3.9  | ns    |
| $t_{CO}$                                     | Sequential Clock to Q        |            | 2.0  |            | 2.3  |            | 2.6  |             | 3.0  |                         | 3.9  | ns    |
| $t_{CLR}$                                    | Asynchronous Clear to Q      |            | 2.0  |            | 2.3  |            | 2.6  |             | 3.0  |                         | 3.9  | ns    |
| Predicted Routing Delays <sup>3</sup>        |                              |            |      |            |      |            |      |             |      |                         |      |       |
| $t_{RD1}$                                    | FO=1 Routing Delay           |            | 0.9  |            | 1.0  |            | 1.1  |             | 1.3  |                         | 1.7  | ns    |
| $t_{RD2}$                                    | FO=2 Routing Delay           |            | 1.2  |            | 1.4  |            | 1.6  |             | 1.8  |                         | 2.4  | ns    |
| $t_{RD3}$                                    | FO=3 Routing Delay           |            | 1.4  |            | 1.6  |            | 1.8  |             | 2.1  |                         | 2.8  | ns    |
| $t_{RD4}$                                    | FO=4 Routing Delay           |            | 1.7  |            | 1.9  |            | 2.2  |             | 2.5  |                         | 3.3  | ns    |
| $t_{RD8}$                                    | FO=8 Routing Delay           |            | 2.8  |            | 3.2  |            | 3.6  |             | 4.2  |                         | 5.5  | ns    |
| Logic Module Sequential Timing               |                              |            |      |            |      |            |      |             |      |                         |      |       |
| $t_{SUD}$                                    | Flip-Flop Data Input Setup   | 0.5        |      | 0.6        |      | 0.8        |      | 0.8         |      | 0.8                     |      | ns    |
| $t_{HD}$                                     | Flip-Flop Data Input Hold    | 0.0        |      | 0.0        |      | 0.5        |      | 0.5         |      | 0.5                     |      | ns    |
| $t_{SUD}$                                    | Latch Data Input Setup       | 0.5        |      | 0.6        |      | 0.8        |      | 0.8         |      | 0.8                     |      | ns    |
| $t_{HD}$                                     | Latch Data Input Hold        | 0.0        |      | 0.0        |      | 0.5        |      | 0.5         |      | 0.5                     |      | ns    |
| $t_{WASYN}$                                  | Asynchronous Pulse Width     | 2.4        |      | 3.2        |      | 3.8        |      | 4.8         |      | 6.5                     |      | ns    |
| $t_{WCLKA}$                                  | Flip-Flop Clock Pulse Width  | 2.4        |      | 3.2        |      | 3.8        |      | 4.8         |      | 6.5                     |      | ns    |
| $t_A$  | Flip-Flop Clock Input Period | 5.0        |      | 6.8        |      | 8.0        |      | 10.0        |      | 13.4                    |      | ns    |
| $f_{MAX}$                                    | Flip-Flop Clock Frequency    |            | 200  |            | 150  |            | 125  |             | 100  |                         | 75   | MHz   |

**Notes:**

- $V_{CC} = 3.0\text{ V}$  for 3.3V specifications.
- For dual-module macros, use  $t_{PD} + t_{RD1} + t_{PDn}$ ,  $t_{CO} + t_{RD1} + t_{PDn}$  or  $t_{PD1} + t_{RD1} + t_{SUD}$ , whichever is appropriate.
- Routing delays are for typical designs across worst-case operating conditions. These parameters should be used for estimating device performance. Post-route timing analysis or simulation is required to determine actual worst-case performance. Post-route timing is based on actual routing delay measurements performed on the device prior to shipment.

## A14100A, A14V100A Timing Characteristics (continued)

(Worst-Case Commercial Conditions)

| I/O Module Input Propagation Delays               |   | '-3' Speed |      | '-2' Speed |      | '-1' Speed |      | 'Std' Speed |      | 3.3V Speed |      |       |
|---|---|------------|------|------------|------|------------|------|-------------|------|------------|------|-------|
| Parameter   | Description                                 | Min.       | Max. | Min.       | Max. | Min.       | Max. | Min.        | Max. | Min.       | Max. | Units |
| t <sub>INY</sub>                                  | Input Data Pad to Y                         |            | 2.8  |            | 3.2  |            | 3.6  |             | 4.2  |            | 5.5  | ns    |
| t <sub>ICKY</sub>                                 | Input Reg IOCLK Pad to Y                    |            | 4.7  |            | 5.3  |            | 6.0  |             | 7.0  |            | 9.2  | ns    |
| t <sub>OOCKY</sub>                                | Output Reg IOCLK Pad to Y                   |            | 4.7  |            | 5.3  |            | 6.0  |             | 7.0  |            | 9.2  | ns    |
| t <sub>ICLRY</sub>                                | Input Asynchronous Clear to Y               |            | 4.7  |            | 5.3  |            | 6.0  |             | 7.0  |            | 9.2  | ns    |
| t <sub>OCLRY</sub>                                | Output Asynchronous Clear to Y              |            | 4.7  |            | 5.3  |            | 6.0  |             | 7.0  |            | 9.2  | ns    |
| <b>Predicted Input Routing Delays<sup>1</sup></b> |   |            |      |            |      |            |      |             |      |            |      |       |
| t <sub>IRD1</sub>                                 | FO=1 Routing Delay                          |            | 0.9  |            | 1.0  |            | 1.1  |             | 1.3  |            | 1.7  | ns    |
| t <sub>IRD2</sub>                                 | FO=2 Routing Delay                          |            | 1.2  |            | 1.4  |            | 1.6  |             | 1.8  |            | 2.4  | ns    |
| t <sub>IRD3</sub>                                 | FO=3 Routing Delay                          |            | 1.4  |            | 1.6  |            | 1.8  |             | 2.1  |            | 2.8  | ns    |
| t <sub>IRD4</sub>                                 | FO=4 Routing Delay                          |            | 1.7  |            | 1.9  |            | 2.2  |             | 2.5  |            | 3.3  | ns    |
| t <sub>IRD8</sub>                                 | FO=8 Routing Delay                          |            | 2.8  |            | 3.2  |            | 3.6  |             | 4.2  |            | 5.5  | ns    |
| <b>I/O Module Sequential Timing</b>               |   |            |      |            |      |            |      |             |      |            |      |       |
| t <sub>INH</sub>                                  | Input F-F Data Hold (w.r.t. IOCLK Pad)      | 0.0        |      | 0.0        |      | 0.0        |      | 0.0         |      | 0.0        |      | ns    |
| t <sub>INSU</sub>                                 | Input F-F Data Setup (w.r.t. IOCLK Pad)     | 1.2        |      | 1.4        |      | 1.5        |      | 1.8         |      | 1.8        |      | ns    |
| t <sub>IDEH</sub>                                 | Input Data Enable Hold (w.r.t. IOCLK Pad)   | 0.0        |      | 0.0        |      | 0.0        |      | 0.0         |      | 0.0        |      | ns    |
| t <sub>IDESU</sub>                                | Input Data Enable Setup (w.r.t. IOCLK Pad)  | 5.8        |      | 6.5        |      | 7.5        |      | 8.6         |      | 8.6        |      | ns    |
| t <sub>OUTH</sub>                                 | Output F-F Data Hold (w.r.t. IOCLK Pad)     | 0.7        |      | 0.8        |      | 1.0        |      | 1.0         |      | 1.0        |      | ns    |
| t <sub>OUTSU</sub>                                | Output F-F Data Setup (w.r.t. IOCLK Pad)    | 0.7        |      | 0.8        |      | 1.0        |      | 1.0         |      | 1.0        |      | ns    |
| t <sub>ODEH</sub>                                 | Output Data Enable Hold (w.r.t. IOCLK Pad)  | 0.3        |      | 0.4        |      | 0.5        |      | 0.5         |      | 0.5        |      | ns    |
| t <sub>ODESU</sub>                                | Output Data Enable Setup (w.r.t. IOCLK Pad) | 1.3        |      | 1.5        |      | 2.0        |      | 2.0         |      | 2.0        |      | ns    |

**Note:**

1. Routing delays are for typical designs across worst-case operating conditions. These parameters should be used for estimating device performance. Post-route timing analysis or simulation is required to determine actual worst-case performance. Post-route timing is based on actual routing delay measurements performed on the device prior to shipment.

## A14100A, A14V100A Timing Characteristics (continued)

(Worst-Case Commercial Conditions)

| I/O Module – TTL Output Timing <sup>1</sup>        |                                  | ‘-3’ Speed |      | ‘-2’ Speed |      | ‘-1’ Speed |      | ‘Std’ Speed |      | 3.3V Speed |      |       |
|--|----------------------------------|------------|------|------------|------|------------|------|-------------|------|------------|------|-------|
| Parameter  | Description                      | Min.       | Max. | Min.       | Max. | Min.       | Max. | Min.        | Max. | Min.       | Max. | Units |
| t <sub>DHS</sub>                                   | Data to Pad, High Slew           |            | 5.0  |            | 5.6  |            | 6.4  |             | 7.5  |            | 9.8  | ns    |
| t <sub>DLS</sub>                                   | Data to Pad, Low Slew            |            | 8.0  |            | 9.0  |            | 10.2 |             | 12.0 |            | 15.6 | ns    |
| t <sub>ENZHS</sub>                                 | Enable to Pad, Z to H/L, Hi Slew |            | 4.0  |            | 4.5  |            | 5.1  |             | 6.0  |            | 7.8  | ns    |
| t <sub>ENZLS</sub>                                 | Enable to Pad, Z to H/L, Lo Slew |            | 7.4  |            | 8.3  |            | 9.4  |             | 11.0 |            | 14.3 | ns    |
| t <sub>ENHSZ</sub>                                 | Enable to Pad, H/L to Z, Hi Slew |            | 8.0  |            | 9.0  |            | 10.2 |             | 12.0 |            | 15.6 | ns    |
| t <sub>ENLSZ</sub>                                 | Enable to Pad, H/L to Z, Lo Slew |            | 7.4  |            | 8.3  |            | 9.4  |             | 11.0 |            | 14.3 | ns    |
| t <sub>CKHS</sub>                                  | IOCLK Pad to Pad H/L, Hi Slew    |            | 9.5  |            | 9.5  |            | 10.5 |             | 12.0 |            | 15.6 | ns    |
| t <sub>CKLS</sub>                                  | IOCLK Pad to Pad H/L, Lo Slew    |            | 12.8 |            | 12.8 |            | 15.3 |             | 17.0 |            | 22.1 | ns    |
| d <sub>TLHHS</sub>                                 | Delta Low to High, Hi Slew       |            | 0.02 |            | 0.02 |            | 0.03 |             | 0.03 |            | 0.04 | ns/pF |
| d <sub>TLHLS</sub>                                 | Delta Low to High, Lo Slew       |            | 0.05 |            | 0.05 |            | 0.06 |             | 0.07 |            | 0.09 | ns/pF |
| d <sub>THLHS</sub>                                 | Delta High to Low, Hi Slew       |            | 0.04 |            | 0.04 |            | 0.04 |             | 0.05 |            | 0.07 | ns/pF |
| d <sub>THLLS</sub>                                 | Delta High to Low, Lo Slew       |            | 0.05 |            | 0.05 |            | 0.06 |             | 0.07 |            | 0.09 | ns/pF |
| <b>I/O Module – CMOS Output Timing<sup>1</sup></b> |                                  |            |      |            |      |            |      |             |      |            |      |       |
| t <sub>DHS</sub>                                   | Data to Pad, High Slew           |            | 6.2  |            | 7.0  |            | 7.9  |             | 9.3  |            | 12.1 | ns    |
| t <sub>DLS</sub>                                   | Data to Pad, Low Slew            |            | 11.7 |            | 13.1 |            | 14.9 |             | 17.5 |            | 22.8 | ns    |
| t <sub>ENZHS</sub>                                 | Enable to Pad, Z to H/L, Hi Slew |            | 5.2  |            | 5.9  |            | 6.6  |             | 7.8  |            | 10.1 | ns    |
| t <sub>ENZLS</sub>                                 | Enable to Pad, Z to H/L, Lo Slew |            | 8.9  |            | 10.0 |            | 11.3 |             | 13.3 |            | 17.3 | ns    |
| t <sub>ENHSZ</sub>                                 | Enable to Pad, H/L to Z, Hi Slew |            | 8.0  |            | 9.0  |            | 10.0 |             | 12.0 |            | 15.6 | ns    |
| t <sub>ENLSZ</sub>                                 | Enable to Pad, H/L to Z, Lo Slew |            | 7.4  |            | 8.3  |            | 9.4  |             | 11.0 |            | 14.3 | ns    |
| t <sub>CKHS</sub>                                  | IOCLK Pad to Pad H/L, Hi Slew    |            | 10.4 |            | 10.4 |            | 12.4 |             | 13.8 |            | 17.9 | ns    |
| t <sub>CKLS</sub>                                  | IOCLK Pad to Pad H/L, Lo Slew    |            | 14.5 |            | 14.5 |            | 17.4 |             | 19.3 |            | 25.1 | ns    |
| d <sub>TLHHS</sub>                                 | Delta Low to High, Hi Slew       |            | 0.04 |            | 0.04 |            | 0.05 |             | 0.06 |            | 0.08 | ns/pF |
| d <sub>TLHLS</sub>                                 | Delta Low to High, Lo Slew       |            | 0.07 |            | 0.08 |            | 0.09 |             | 0.11 |            | 0.14 | ns/pF |
| d <sub>THLHS</sub>                                 | Delta High to Low, Hi Slew       |            | 0.03 |            | 0.03 |            | 0.03 |             | 0.04 |            | 0.05 | ns/pF |
| d <sub>THLLS</sub>                                 | Delta High to Low, Lo Slew       |            | 0.04 |            | 0.04 |            | 0.04 |             | 0.05 |            | 0.07 | ns/pF |

**Note:**

1. Delays based on 35pF loading.

## A14100A, A14V100A Timing Characteristics (continued)

(Worst-Case Commercial Conditions)

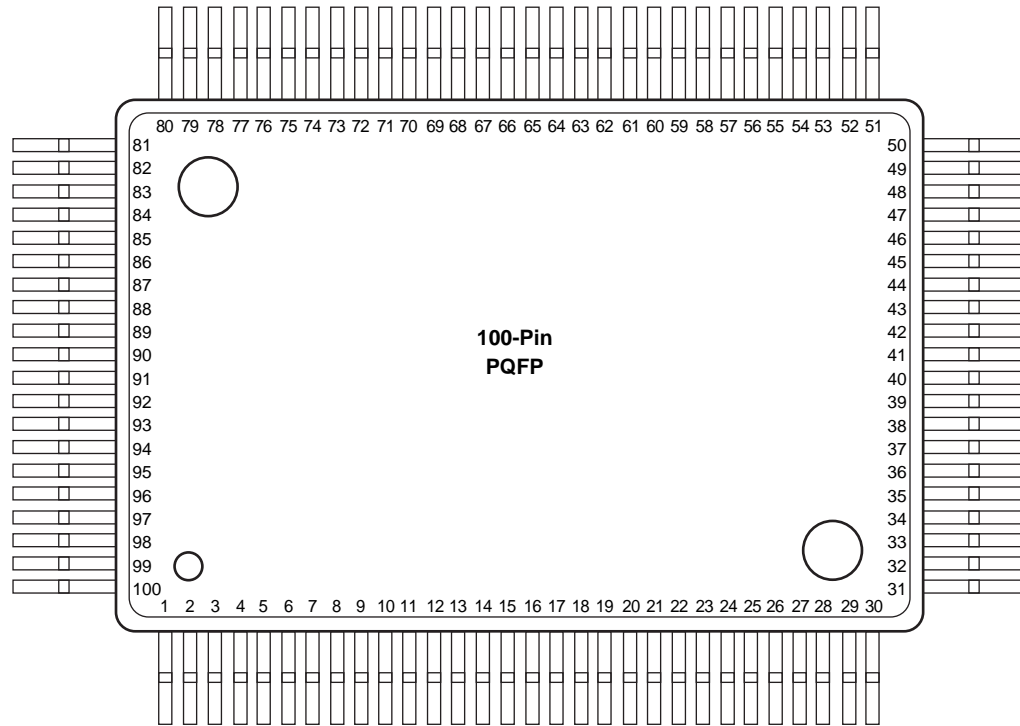
| <b>Dedicated (Hard-Wired) I/O Clock Network</b>   |  | ‘-3’ Speed  |             | ‘-2’ Speed  |             | ‘-1’ Speed  |             | ‘Std’ Speed |             | 3.3V Speed  |             |              |
|---|--|-------------|-------------|-------------|-------------|-------------|-------------|-------------|-------------|-------------|-------------|--------------|
| <b>Parameter</b>                                  | <b>Description</b>                             | <b>Min.</b> | <b>Max.</b> | <b>Min.</b> | <b>Max.</b> | <b>Min.</b> | <b>Max.</b> | <b>Min.</b> | <b>Max.</b> | <b>Min.</b> | <b>Max.</b> | <b>Units</b> |
| t <sub>IOCKH</sub>                                | Input Low to High<br>(Pad to I/O Module Input) |             | 2.3         |             | 2.6         |             | 3.0         |             | 3.5         |             | 4.5         | ns           |
| t <sub>IOPWH</sub>                                | Minimum Pulse Width High                       | 2.4         |             | 3.3         |             | 3.8         |             | 4.8         |             | 6.5         |             | ns           |
| t <sub>IOPWL</sub>                                | Minimum Pulse Width Low                        | 2.4         |             | 3.3         |             | 3.8         |             | 4.8         |             | 6.5         |             | ns           |
| t <sub>IOSAPW</sub>                               | Minimum Asynchronous<br>Pulse Width            | 2.4         |             | 3.3         |             | 3.8         |             | 4.8         |             | 6.5         |             | ns           |
| t <sub>IOCKSW</sub>                               | Maximum Skew                                   |             | 0.6         |             | 0.6         |             | 0.7         |             | 0.8         |             | 0.6         | ns           |
| t <sub>IOP</sub>                                  | Minimum Period                                 | 5.0         |             | 6.8         |             | 8.0         |             | 10.0        |             | 13.4        |             | ns           |
| f <sub>IOMAX</sub>                                | Maximum Frequency                              |             | 200         |             | 150         |             | 125         |             | 100         |             | 75          | MHz          |
| <b>Dedicated (Hard-Wired) Array Clock Network</b> |  |             |             |             |             |             |             |             |             |             |             |              |
| t <sub>HCKH</sub>                                 | Input Low to High<br>(Pad to S-Module Input)   |             | 3.7         |             | 4.1         |             | 4.7         |             | 5.5         |             | 7.0         | ns           |
| t <sub>HCKL</sub>                                 | Input High to Low<br>(Pad to S-Module Input)   |             | 3.7         |             | 4.1         |             | 4.7         |             | 5.5         |             | 7.0         | ns           |
| t <sub>HPWH</sub>                                 | Minimum Pulse Width High                       | 2.4         |             | 3.3         |             | 3.8         |             | 4.8         |             | 6.5         |             | ns           |
| t <sub>HPWL</sub>                                 | Minimum Pulse Width Low                        | 2.4         |             | 3.3         |             | 3.8         |             | 4.8         |             | 6.5         |             | ns           |
| t <sub>HCKSW</sub>                                | Maximum Skew                                   |             | 0.6         |             | 0.6         |             | 0.7         |             | 0.8         |             | 0.6         | ns           |
| t <sub>HP</sub>                                   | Minimum Period                                 | 5.0         |             | 6.8         |             | 8.0         |             | 10.0        |             | 13.4        |             | ns           |
| f <sub>HMAX</sub>                                 | Maximum Frequency                              |             | 200         |             | 150         |             | 125         |             | 100         |             | 75          | MHz          |
| <b>Routed Array Clock Networks</b>                |  |             |             |             |             |             |             |             |             |             |             |              |
| t <sub>RCKH</sub>                                 | Input Low to High (FO=256)                     |             | 6.0         |             | 6.8         |             | 7.7         |             | 9.0         |             | 11.8        | ns           |
| t <sub>RCKL</sub>                                 | Input High to Low (FO=256)                     |             | 6.0         |             | 6.8         |             | 7.7         |             | 9.0         |             | 11.8        | ns           |
| t <sub>RPWH</sub>                                 | Min. Pulse Width High<br>(FO=256)              | 4.1         |             | 4.5         |             | 5.4         |             | 6.1         |             | 8.2         |             | ns           |
| t <sub>RPWL</sub>                                 | Min. Pulse Width Low<br>(FO=256)               | 4.1         |             | 4.5         |             | 5.4         |             | 6.1         |             | 8.2         |             | ns           |
| t <sub>RCKSW</sub>                                | Maximum Skew (FO=128)                          |             | 1.2         |             | 1.4         |             | 1.6         |             | 1.8         |             | 1.8         | ns           |
| t <sub>RP</sub>                                   | Minimum Period (FO=256)                        | 8.3         |             | 9.3         |             | 11.1        |             | 12.5        |             | 16.7        |             | ns           |
| f <sub>RMAX</sub>                                 | Maximum Frequency<br>(FO=256)                  |             | 120         |             | 105         |             | 90          |             | 80          |             | 60          | MHz          |
| <b>Clock-to-Clock Skews</b>                       |  |             |             |             |             |             |             |             |             |             |             |              |
| t <sub>IOHCKSW</sub>                              | I/O Clock to H-Clock Skew                      | 0.0         | 2.6         | 0.0         | 2.7         | 0.0         | 2.9         | 0.0         | 3.0         | 0.0         | 3.0         | ns           |
| t <sub>IORCKSW</sub>                              | I/O Clock to R-Clock Skew<br>(FO = 64)         | 0.0         | 1.7         | 0.0         | 1.7         | 0.0         | 1.7         | 0.0         | 1.7         | 0.0         | 5.0         | ns           |
|   |  | 0.0         | 5.0         | 0.0         | 5.0         | 0.0         | 5.0         | 0.0         | 5.0         | 0.0         | 5.0         |              |
| t <sub>HRCKSW</sub>                               | H-Clock to R-Clock Skew<br>(FO = 64)           | 0.0         | 1.3         | 0.0         | 1.0         | 0.0         | 1.0         | 0.0         | 1.0         | 0.0         | 1.0         | ns           |
|   |  | 0.0         | 3.0         | 0.0         | 3.0         | 0.0         | 3.0         | 0.0         | 3.0         | 0.0         | 3.0         |              |

**Note:**

- Delays based on 35pF loading.

## Package Pin Assignments

### 100-Pin PQFP (Top View)



| Pin Number | A1415 Function | A1425 Function |
|------------|----------------|----------------|
| 2          | IOCLK, I/O     | IOCLK, I/O     |
| 14         | CLKA, I/O      | CLKA, I/O      |
| 15         | CLKB, I/O      | CLKB, I/O      |
| 16         | VCC            | VCC            |
| 17         | GND            | GND            |
| 18         | VCC            | VCC            |
| 19         | GND            | GND            |
| 20         | PRA, I/O       | PRA, I/O       |
| 27         | DCLK, I/O      | DCLK, I/O      |
| 28         | GND            | GND            |
| 29         | SDI, I/O       | SDI, I/O       |
| 34         | MODE           | MODE           |
| 35         | VCC            | VCC            |
| 36         | GND            | GND            |
| 47         | GND            | GND            |

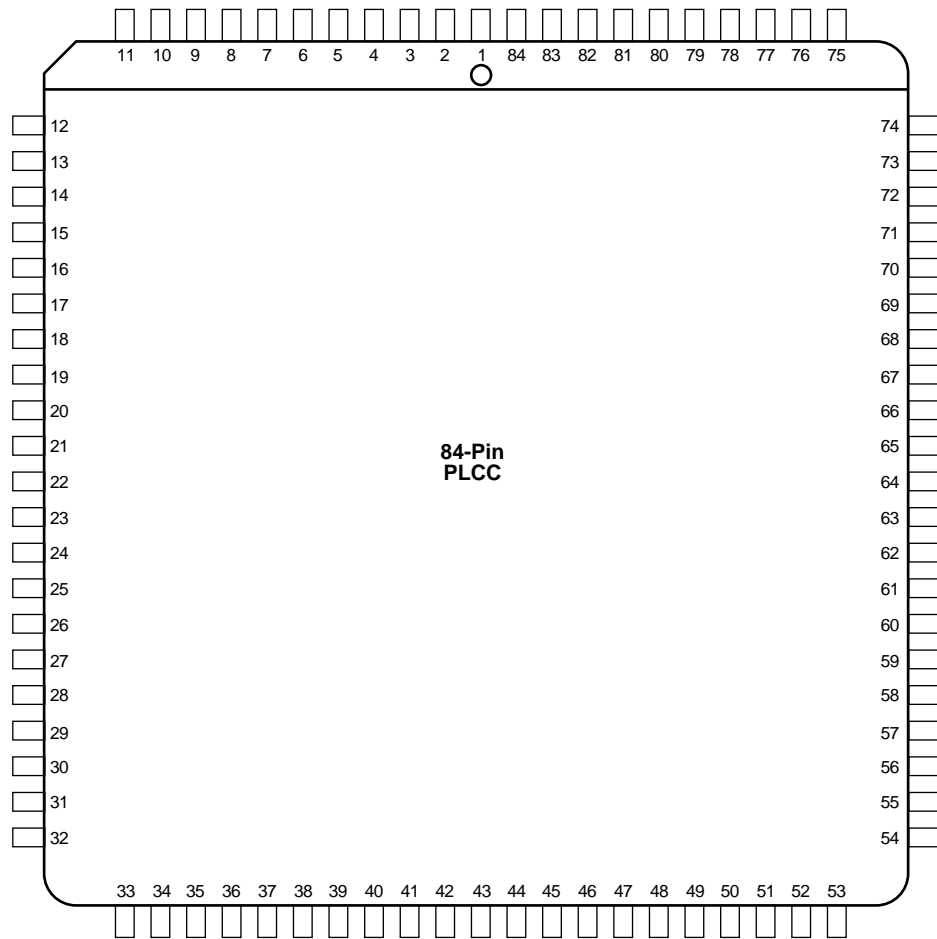
| Pin Number | A1415 Function | A1425 Function |
|------------|----------------|----------------|
| 48         | VCC            | VCC            |
| 61         | PRB, I/O       | PRB, I/O       |
| 62         | GND            | GND            |
| 63         | VCC            | VCC            |
| 64         | GND            | GND            |
| 65         | VCC            | VCC            |
| 67         | HCLK, I/O      | HCLK, I/O      |
| 78         | IOPCL, I/O     | IOPCL, I/O     |
| 79         | GND            | GND            |
| 85         | VCC            | VCC            |
| 86         | VCC            | VCC            |
| 87         | GND            | GND            |
| 96         | VCC            | VCC            |
| 97         | GND            | GND            |

#### Notes:

1. All unlisted pin numbers are user I/Os.
2. NC : Denotes No Connection
3. MODE should be terminated to GND through a 10K resistor to enable Actionprobe usage; otherwise it can be terminated directly to GND.

## Package Pin Assignments (continued)

### 84-Pin PLCC (Top View)



## 84-Pin PLCC

| Pin Number | A1415<br>A14V15 Function | A1425<br>A14V25 Function | A1440<br>A14V40 Function |
|------------|--------------------------|--------------------------|--------------------------|
| 1          | VCC                      | VCC                      | VCC                      |
| 2          | GND                      | GND                      | GND                      |
| 3          | VCC                      | VCC                      | VCC                      |
| 4          | PRA, I/O                 | PRA, I/O                 | PRA, I/O                 |
| 11         | DCLK, I/O                | DCLK, I/O                | DCLK, I/O                |
| 12         | SDI, I/O                 | SDI, I/O                 | SDI, I/O                 |
| 16         | MODE                     | MODE                     | MODE                     |
| 27         | GND                      | GND                      | GND                      |
| 28         | VCC                      | VCC                      | VCC                      |
| 40         | PRB, I/O                 | PRB, I/O                 | PRB, I/O                 |
| 41         | VCC                      | VCC                      | VCC                      |
| 42         | GND                      | GND                      | GND                      |
| 43         | VCC                      | VCC                      | VCC                      |
| 45         | HCLK, I/O                | HCLK, I/O                | HCLK, I/O                |
| 53         | IOPCL, I/O               | IOPCL, I/O               | IOPCL, I/O               |
| 59         | VCC                      | VCC                      | VCC                      |
| 60         | VCC                      | VCC                      | VCC                      |
| 61         | GND                      | GND                      | GND                      |
| 68         | VCC                      | VCC                      | VCC                      |
| 69         | GND                      | GND                      | GND                      |
| 74         | IOCLK, I/O               | IOCLK, I/O               | IOCLK, I/O               |
| 83         | CLKA, I/O                | CLKA, I/O                | CLKA, I/O                |
| 84         | CLKB, I/O                | CLKB, I/O                | CLKB, I/O                |

**Notes:**

1. All unlisted pin numbers are user I/Os.
2. NC : Denotes No Connection
3. MODE should be terminated to GND through a 10K resistor to enable Actionprobe usage; otherwise it can be terminated directly to GND.





## 160-Pin PQFP

| Pin Number | A1425 A14V25 Function | A1440 A14V40 Function | A1460 A14V60 Function |
|------------|-----------------------|-----------------------|-----------------------|
| 1          | GND                   | GND                   | GND                   |
| 2          | SDI, I/O              | SDI, I/O              | SDI, I/O              |
| 5          | NC                    | I/O                   | I/O                   |
| 9          | MODE                  | MODE                  | MODE                  |
| 10         | VCC                   | VCC                   | VCC                   |
| 14         | NC                    | I/O                   | I/O                   |
| 15         | GND                   | GND                   | GND                   |
| 18         | VCC                   | VCC                   | VCC                   |
| 19         | GND                   | GND                   | GND                   |
| 20         | NC                    | I/O                   | I/O                   |
| 24         | NC                    | I/O                   | I/O                   |
| 27         | NC                    | I/O                   | I/O                   |
| 28         | VCC                   | VCC                   | VCC                   |
| 29         | VCC                   | VCC                   | VCC                   |
| 40         | GND                   | GND                   | GND                   |
| 41         | NC                    | I/O                   | I/O                   |
| 43         | NC                    | I/O                   | I/O                   |
| 45         | NC                    | I/O                   | I/O                   |
| 46         | VCC                   | VCC                   | VCC                   |
| 47         | NC                    | I/O                   | I/O                   |
| 49         | NC                    | I/O                   | I/O                   |
| 51         | NC                    | I/O                   | I/O                   |
| 53         | NC                    | I/O                   | I/O                   |
| 58         | PRB, I/O              | PRB, I/O              | PRB, I/O              |
| 59         | GND                   | GND                   | GND                   |
| 60         | VCC                   | VCC                   | VCC                   |
| 62         | HCLK, I/O             | HCLK, I/O             | HCLK, I/O             |
| 63         | GND                   | GND                   | GND                   |
| 74         | NC                    | I/O                   | I/O                   |
| 75         | VCC                   | VCC                   | VCC                   |
| 76         | NC                    | I/O                   | I/O                   |
| 77         | NC                    | I/O                   | I/O                   |
| 78         | NC                    | I/O                   | I/O                   |
| 80         | IOPCL, I/O            | IOPCL, I/O            | IOPCL, I/O            |
| 81         | GND                   | GND                   | GND                   |

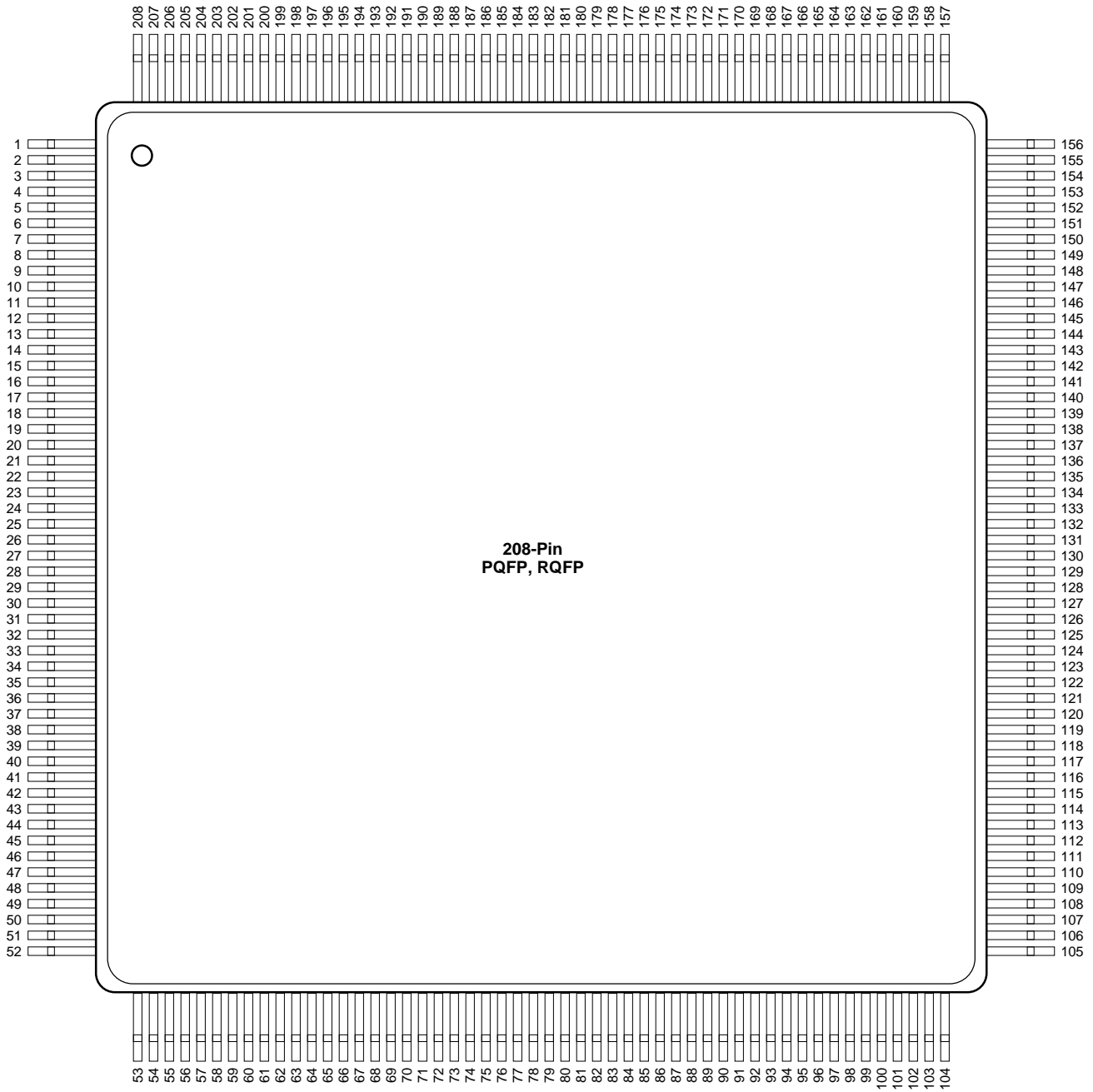
| Pin Number | A1425 A14V25 Function | A1440 A14V40 Function | A1460 A14V60 Function |
|------------|-----------------------|-----------------------|-----------------------|
| 90         | VCC                   | VCC                   | VCC                   |
| 91         | VCC                   | VCC                   | VCC                   |
| 92         | NC                    | I/O                   | I/O                   |
| 93         | NC                    | I/O                   | I/O                   |
| 98         | GND                   | GND                   | GND                   |
| 99         | VCC                   | VCC                   | VCC                   |
| 100        | NC                    | I/O                   | I/O                   |
| 103        | GND                   | GND                   | GND                   |
| 107        | NC                    | I/O                   | I/O                   |
| 109        | NC                    | I/O                   | I/O                   |
| 110        | VCC                   | VCC                   | VCC                   |
| 111        | GND                   | GND                   | GND                   |
| 112        | VCC                   | VCC                   | VCC                   |
| 113        | NC                    | I/O                   | I/O                   |
| 119        | NC                    | I/O                   | I/O                   |
| 120        | IOCLK, I/O            | IOCLK, I/O            | IOCLK, I/O            |
| 121        | GND                   | GND                   | GND                   |
| 124        | NC                    | I/O                   | I/O                   |
| 127        | NC                    | I/O                   | I/O                   |
| 136        | CLKA, I/O             | CLKA, I/O             | CLKA, I/O             |
| 137        | CLKB, I/O             | CLKB, I/O             | CLKB, I/O             |
| 138        | VCC                   | VCC                   | VCC                   |
| 139        | GND                   | GND                   | GND                   |
| 140        | VCC                   | VCC                   | VCC                   |
| 141        | GND                   | GND                   | GND                   |
| 142        | PRA, I/O              | PRA, I/O              | PRA, I/O              |
| 143        | NC                    | I/O                   | I/O                   |
| 145        | NC                    | I/O                   | I/O                   |
| 147        | NC                    | I/O                   | I/O                   |
| 149        | NC                    | I/O                   | I/O                   |
| 151        | NC                    | I/O                   | I/O                   |
| 153        | NC                    | I/O                   | I/O                   |
| 154        | VCC                   | VCC                   | VCC                   |
| 160        | DCLK, I/O             | DCLK, I/O             | DCLK, I/O             |

**Notes:**

1. All unlisted pin numbers are user I/Os.
2. NC : Denotes No Connection
3. MODE should be terminated to GND through a 10K resistor to enable Actionprobe usage; otherwise it can be terminated directly to GND.

# Package Pin Assignments (continued)

## 208-Pin PQFP, RQFP (Top View)



## 208-Pin PQFP, RQFP

| Pin Number | A1460<br>A14V60<br>Function | A14100<br>A14V100<br>Function |
|------------|-----------------------------|-------------------------------|
| 1          | GND                         | GND                           |
| 2          | SDI, I/O                    | SDI, I/O                      |
| 11         | MODE                        | MODE                          |
| 12         | VCC                         | VCC                           |
| 25         | VCC                         | VCC                           |
| 26         | GND                         | GND                           |
| 27         | VCC                         | VCC                           |
| 28         | GND                         | GND                           |
| 40         | VCC                         | VCC                           |
| 41         | VCC                         | VCC                           |
| 52         | GND                         | GND                           |
| 53         | NC                          | I/O                           |
| 60         | VCC                         | VCC                           |
| 65         | NC                          | I/O                           |
| 76         | PRB, I/O                    | PRB, I/O                      |
| 77         | GND                         | GND                           |
| 78         | VCC                         | VCC                           |
| 79         | GND                         | GND                           |
| 80         | VCC                         | VCC                           |
| 82         | HCLK, I/O                   | HCLK, I/O                     |
| 98         | VCC                         | VCC                           |
| 102        | NC                          | I/O                           |
| 104        | IOPCL, I/O                  | IOPCL, I/O                    |
| 105        | GND                         | GND                           |
| 114        | VCC                         | VCC                           |

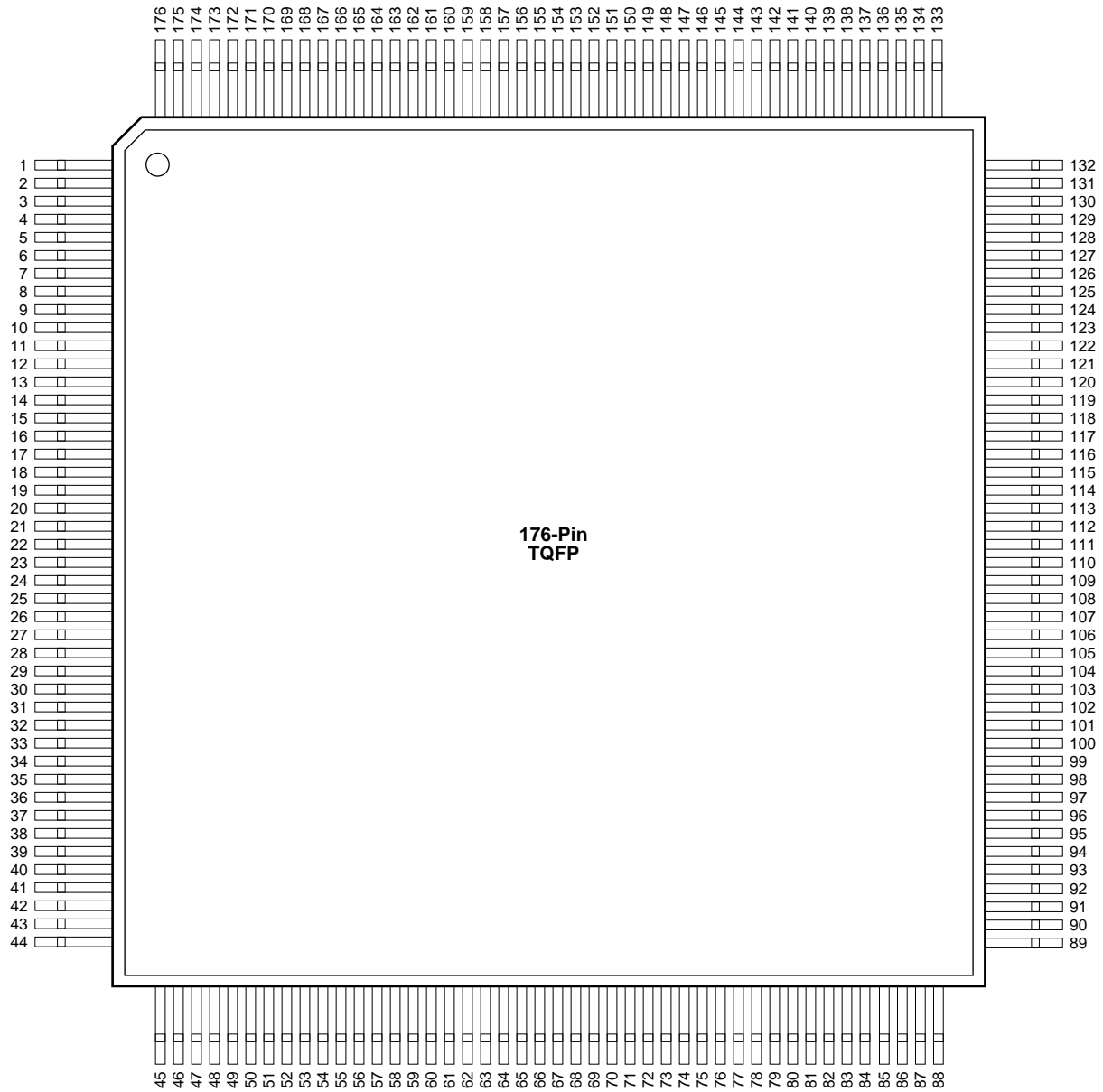
| Pin Number | A1460<br>A14V60<br>Function | A14100<br>A14V100<br>Function |
|------------|-----------------------------|-------------------------------|
| 115        | VCC                         | VCC                           |
| 116        | NC                          | I/O                           |
| 129        | GND                         | GND                           |
| 130        | VCC                         | VCC                           |
| 131        | GND                         | GND                           |
| 132        | VCC                         | VCC                           |
| 145        | VCC                         | VCC                           |
| 146        | GND                         | GND                           |
| 147        | NC                          | I/O                           |
| 148        | VCC                         | VCC                           |
| 156        | IOCLK, I/O                  | IOCLK, I/O                    |
| 157        | GND                         | GND                           |
| 158        | NC                          | I/O                           |
| 164        | VCC                         | VCC                           |
| 180        | CLKA, I/O                   | CLKA, I/O                     |
| 181        | CLKB, I/O                   | CLKB, I/O                     |
| 182        | VCC                         | VCC                           |
| 183        | GND                         | GND                           |
| 184        | VCC                         | VCC                           |
| 185        | GND                         | GND                           |
| 186        | PRA, I/O                    | PRA, I/O                      |
| 195        | NC                          | I/O                           |
| 201        | VCC                         | VCC                           |
| 205        | NC                          | I/O                           |
| 208        | DCLK, I/O                   | DCLK, I/O                     |

**Notes:**

1. All unlisted pin numbers are user I/Os.
2. NC : Denotes No Connection
3. MODE should be terminated to GND through a 10K resistor to enable Actionprobe usage; otherwise it can be terminated directly to GND.

## Package Pin Assignments (continued)

### 176-Pin TQFP (Top View)



## 176-Pin TQFP

| Pin Number | A1440<br>A14V40<br>Function | A1460<br>A14V60<br>Function |
|------------|-----------------------------|-----------------------------|
| 1          | GND                         | GND                         |
| 2          | SDI, I/O                    | SDI, I/O                    |
| 10         | MODE                        | MODE                        |
| 11         | VCC                         | VCC                         |
| 20         | NC                          | I/O                         |
| 21         | GND                         | GND                         |
| 22         | VCC                         | VCC                         |
| 23         | GND                         | GND                         |
| 32         | VCC                         | VCC                         |
| 33         | VCC                         | VCC                         |
| 44         | GND                         | GND                         |
| 49         | NC                          | I/O                         |
| 51         | NC                          | I/O                         |
| 63         | NC                          | I/O                         |
| 64         | PRB, I/O                    | PRB, I/O                    |
| 65         | GND                         | GND                         |
| 66         | VCC                         | VCC                         |
| 67         | VCC                         | VCC                         |
| 69         | HCLK, I/O                   | HCLK, I/O                   |
| 82         | NC                          | I/O                         |
| 83         | NC                          | I/O                         |
| 88         | IOPCL, I/O                  | IOPCL, I/O                  |
| 89         | GND                         | GND                         |

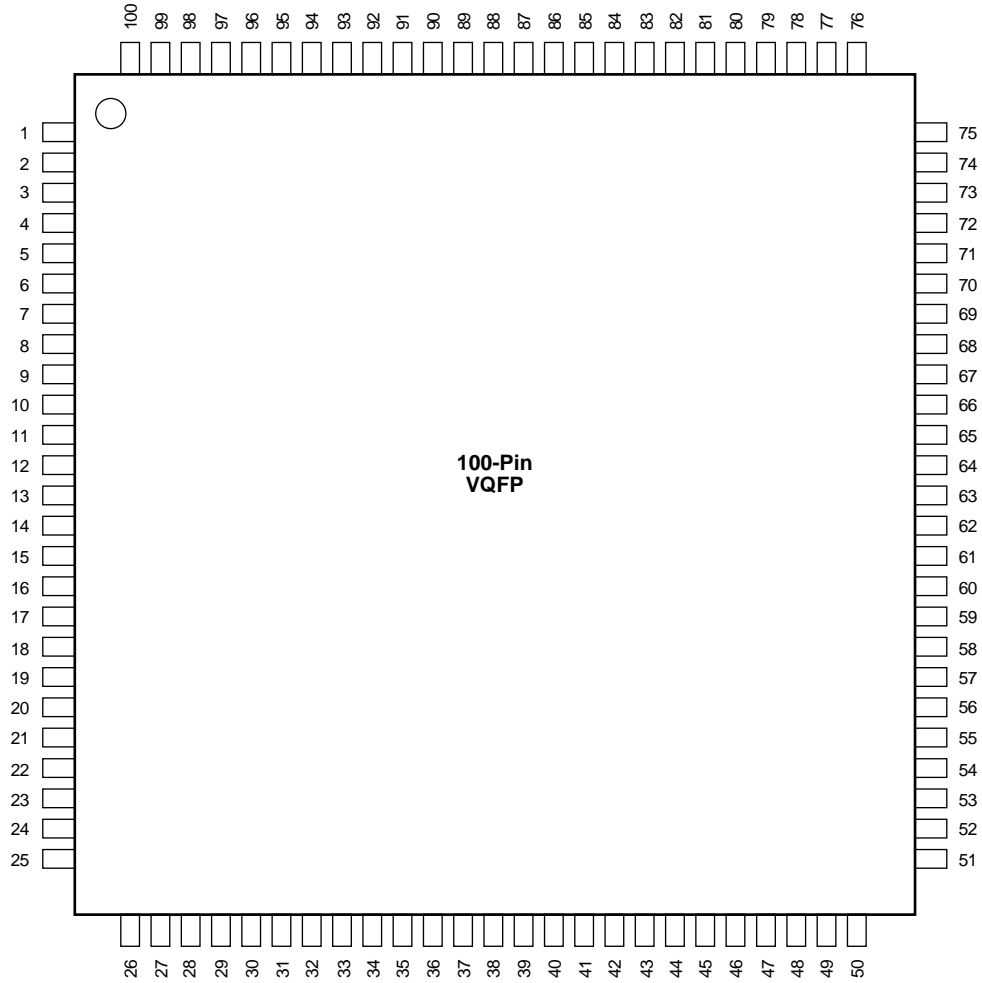
| Pin Number | A1440<br>A14V40<br>Function | A1460<br>A14V60<br>Function |
|------------|-----------------------------|-----------------------------|
| 98         | VCC                         | VCC                         |
| 99         | VCC                         | VCC                         |
| 108        | GND                         | GND                         |
| 109        | VCC                         | VCC                         |
| 110        | GND                         | GND                         |
| 119        | NC                          | I/O                         |
| 121        | NC                          | I/O                         |
| 122        | VCC                         | VCC                         |
| 123        | GND                         | GND                         |
| 124        | VCC                         | VCC                         |
| 132        | IOCLK, I/O                  | IOCLK, I/O                  |
| 133        | GND                         | GND                         |
| 138        | NC                          | I/O                         |
| 152        | CLKA, I/O                   | CLKA, I/O                   |
| 153        | CLKB, I/O                   | CLKB, I/O                   |
| 154        | VCC                         | VCC                         |
| 155        | GND                         | GND                         |
| 156        | VCC                         | VCC                         |
| 157        | PRA, I/O                    | PRA, I/O                    |
| 158        | NC                          | I/O                         |
| 170        | NC                          | I/O                         |
| 176        | DCLK, I/O                   | DCLK, I/O                   |

**Notes:**

1. All unlisted pin numbers are user I/Os.
2. NC : Denotes No Connection
3. MODE should be terminated to GND through a 10K resistor to enable Actionprobe usage; otherwise it can be terminated directly to GND.

Package Pin Assignments (continued)

100-Pin VQFP (Top View)



## 100-Pin VQFP

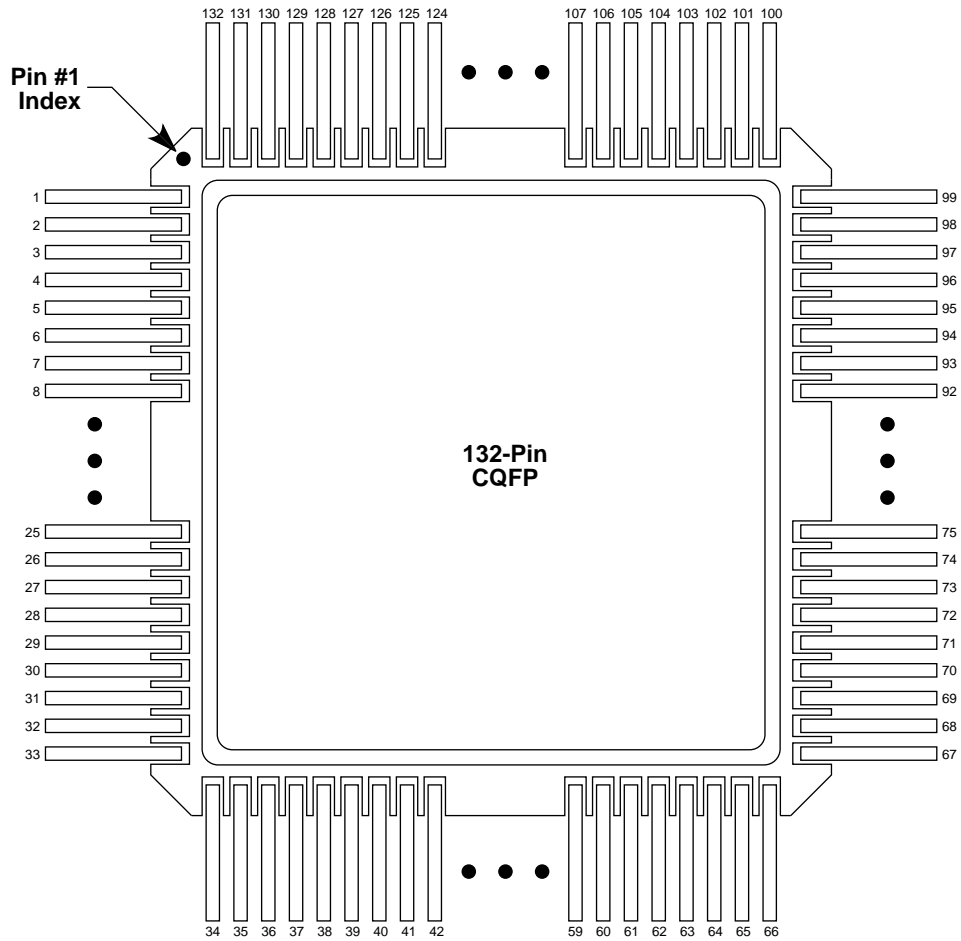
| Pin Number | A1415<br>A14V15 Function | A1425<br>A14V25 Function | A1440<br>A14V40 Function |
|------------|--------------------------|--------------------------|--------------------------|
| 1          | GND                      | GND                      | GND                      |
| 2          | SDI, I/O                 | SDI, I/O                 | SDI, I/O                 |
| 7          | MODE                     | MODE                     | MODE                     |
| 8          | VCC                      | VCC                      | VCC                      |
| 9          | GND                      | GND                      | GND                      |
| 20         | VCC                      | VCC                      | VCC                      |
| 21         | NC                       | I/O                      | I/O                      |
| 34         | PRB, I/O                 | PRB, I/O                 | PRB, I/O                 |
| 35         | VCC                      | VCC                      | VCC                      |
| 36         | GND                      | GND                      | GND                      |
| 37         | VCC                      | VCC                      | VCC                      |
| 39         | HCLK, I/O                | HCLK, I/O                | HCLK, I/O                |
| 50         | IOPCL, I/O               | IOPCL, I/O               | IOPCL, I/O               |
| 51         | GND                      | GND                      | GND                      |
| 57         | VCC                      | VCC                      | VCC                      |
| 58         | VCC                      | VCC                      | VCC                      |
| 67         | VCC                      | VCC                      | VCC                      |
| 68         | GND                      | GND                      | GND                      |
| 69         | GND                      | GND                      | GND                      |
| 74         | NC                       | I/O                      | I/O                      |
| 75         | IOCLK, I/O               | IOCLK, I/O               | IOCLK, I/O               |
| 87         | CLKA, I/O                | CLKA, I/O                | CLKA, I/O                |
| 88         | CLKB, I/O                | CLKB, I/O                | CLKB, I/O                |
| 89         | VCC                      | VCC                      | VCC                      |
| 90         | VCC                      | VCC                      | VCC                      |
| 91         | GND                      | GND                      | GND                      |
| 92         | PRA, I/O                 | PRA, I/O                 | PRA, I/O                 |
| 93         | NC                       | I/O                      | I/O                      |
| 100        | DCLK, I/O                | DCLK, I/O                | DCLK, I/O                |

**Notes:**

1. All unlisted pin numbers are user I/Os.
2. NC : Denotes No Connection
3. MODE should be terminated to GND through a 10K resistor to enable Actionprobe usage; otherwise it can be terminated directly to GND.

## Package Pin Assignments (continued)

### 132-Pin CQFP (Top View)





## 132-Pin CQFP

| Pin Number | A1425 Function |
|------------|----------------|
| 1          | NC             |
| 2          | GND            |
| 3          | SDI, I/O       |
| 9          | MODE           |
| 10         | GND            |
| 11         | VCC            |
| 22         | VCC            |
| 26         | GND            |
| 27         | VCC            |
| 34         | NC             |
| 36         | GND            |
| 42         | GND            |
| 43         | VCC            |
| 48         | PRB, I/O       |
| 50         | HCLK, I/O      |
| 58         | GND            |
| 59         | VCC            |
| 64         | IOPCL, I/O     |
| 65         | GND            |
| 66         | NC             |
| 67         | NC             |

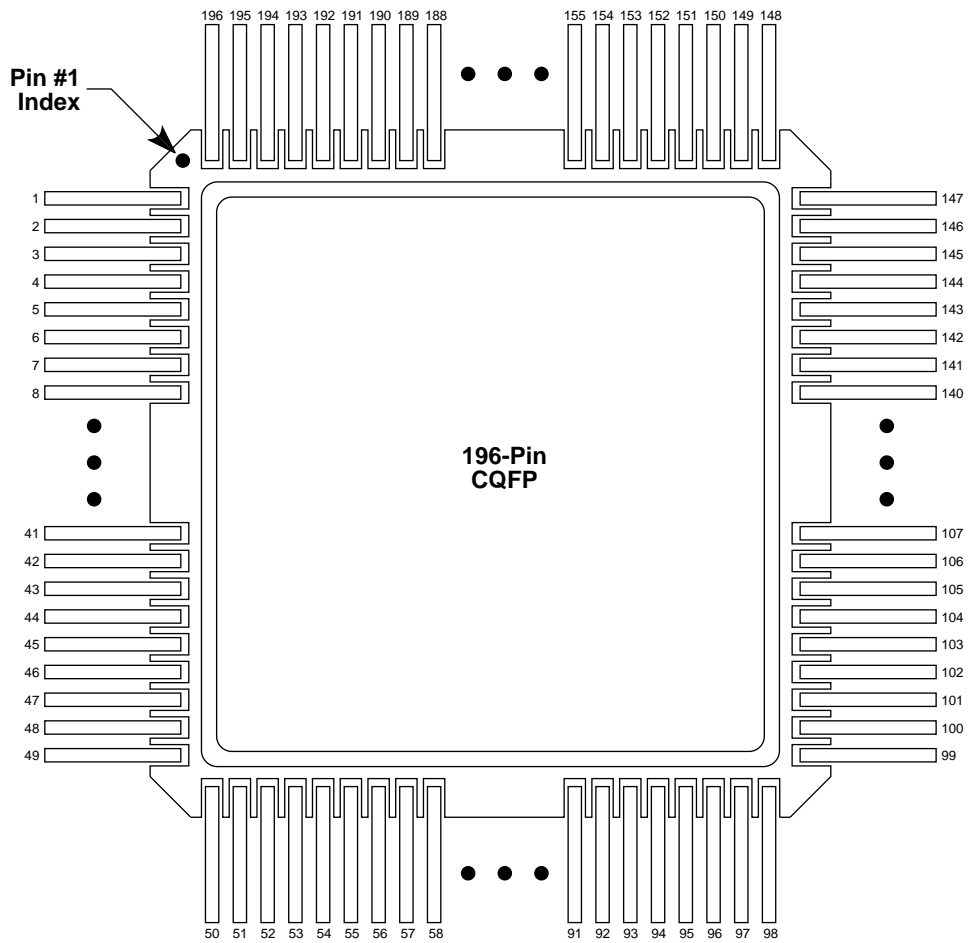
| Pin Number | A1425 Function |
|------------|----------------|
| 74         | GND            |
| 75         | VCC            |
| 78         | VCC            |
| 89         | VCC            |
| 90         | GND            |
| 91         | VCC            |
| 92         | GND            |
| 98         | IOCLK, I/O     |
| 99         | NC             |
| 100        | NC             |
| 101        | GND            |
| 106        | GND            |
| 107        | VCC            |
| 116        | CLKA, I/O      |
| 117        | CLKB, I/O      |
| 118        | PRA, I/O       |
| 122        | GND            |
| 123        | VCC            |
| 131        | DCLK, I/O      |
| 132        | NC             |

**Notes:**

1. All unlisted pin numbers are user I/Os.
2. NC : Denotes No Connection
3. MODE should be terminated to GND through a 10K resistor to enable Actionprobe usage; otherwise it can be terminated directly to GND.

## Package Pin Assignments (continued)

### 196-Pin CQFP (Top View)



## 196-Pin CQFP

| Pin Number | A1460 Function |
|------------|----------------|
| 1          | GND            |
| 2          | SDI, I/O       |
| 11         | MODE           |
| 12         | VCC            |
| 13         | GND            |
| 37         | GND            |
| 38         | VCC            |
| 39         | VCC            |
| 51         | GND            |
| 52         | GND            |
| 59         | VCC            |
| 64         | GND            |
| 77         | HCLK, I/O      |
| 79         | PRB, I/O       |
| 86         | GND            |
| 94         | VCC            |
| 98         | GND            |
| 100        | IOPCL, I/O     |
| 101        | GND            |

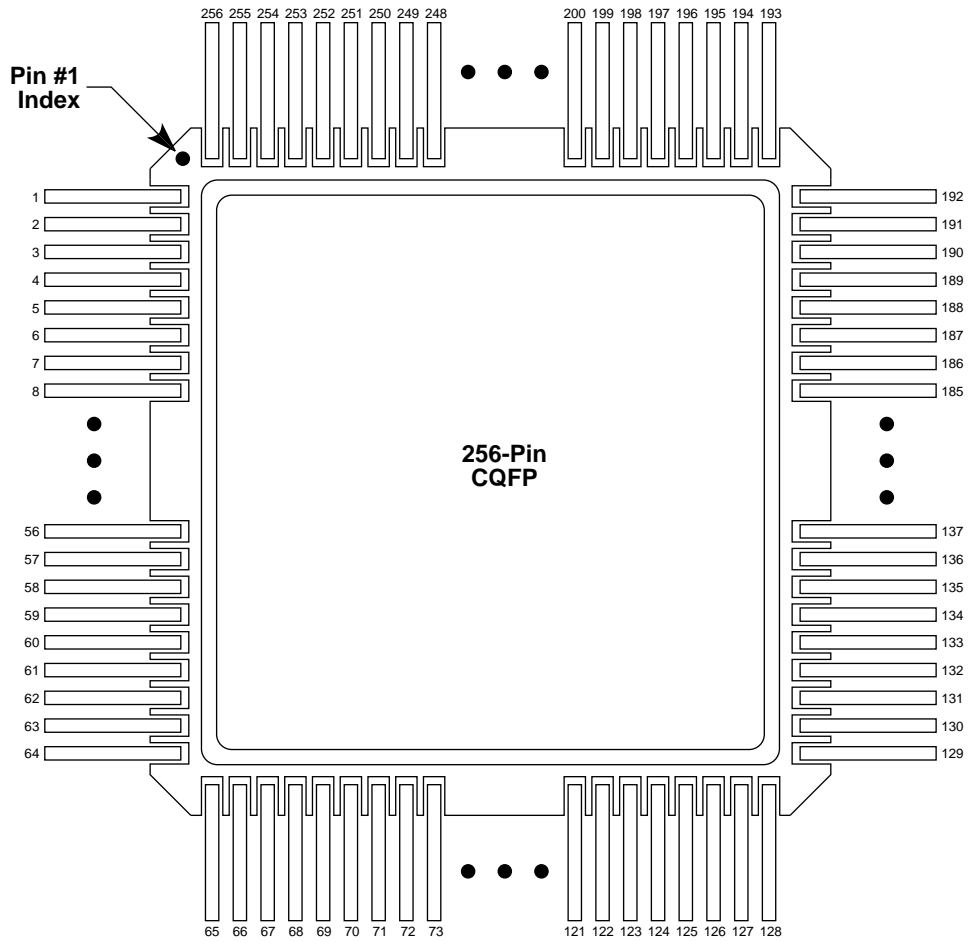
| Pin Number | A1460 Function |
|------------|----------------|
| 110        | VCC            |
| 111        | VCC            |
| 112        | GND            |
| 137        | VCC            |
| 138        | GND            |
| 139        | GND            |
| 140        | VCC            |
| 148        | IOCLK, I/O     |
| 149        | GND            |
| 155        | VCC            |
| 162        | GND            |
| 172        | CLKA, I/O      |
| 173        | CLKB, I/O      |
| 174        | PRA, I/O       |
| 183        | GND            |
| 189        | VCC            |
| 193        | GND            |
| 196        | DCLK, I/O      |

**Notes:**

1. All unlisted pin numbers are user I/Os.
2. NC : Denotes No Connection
3. MODE should be terminated to GND through a 10K resistor to enable Actionprobe usage; otherwise it can be terminated directly to GND.

## Package Pin Assignments (continued)

### 256-Pin CQFP (Top View)



## 256-Pin CQFP

| Pin Number | A14100 Function |
|------------|-----------------|
| 1          | GND             |
| 2          | SDI, I/O        |
| 11         | MODE            |
| 28         | VCC             |
| 29         | GND             |
| 30         | VCC             |
| 31         | GND             |
| 46         | VCC             |
| 59         | GND             |
| 90         | PRB, I/O        |
| 91         | GND             |
| 92         | VCC             |
| 93         | GND             |
| 94         | VCC             |
| 96         | HCLK, I/O       |
| 110        | GND             |
| 127        | IOPCL, I/O      |
| 128        | GND             |
| 141        | VCC             |

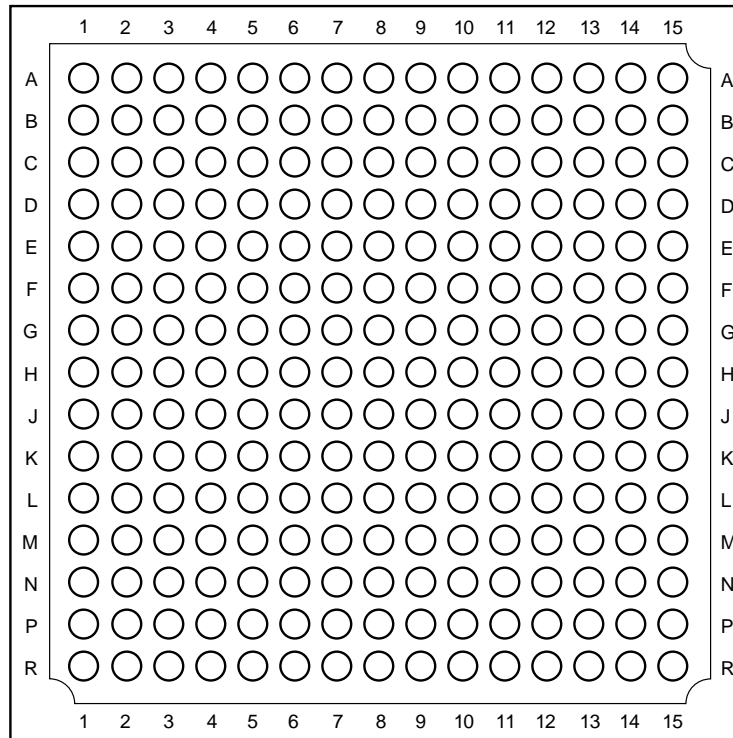
| Pin Number | A14100 Function |
|------------|-----------------|
| 158        | GND             |
| 159        | VCC             |
| 160        | GND             |
| 161        | VCC             |
| 174        | VCC             |
| 175        | GND             |
| 176        | GND             |
| 188        | IOCLK, I/O      |
| 189        | GND             |
| 219        | CLKA, I/O       |
| 220        | CLKB, I/O       |
| 221        | VCC             |
| 222        | GND             |
| 223        | VCC             |
| 224        | GND             |
| 225        | PRA, I/O        |
| 240        | GND             |
| 256        | DCLK, I/O       |

**Notes:**

1. All unlisted pin numbers are user I/Os.
2. NC: Denotes No Connection
3. MODE should be terminated to GND through a 10K resistor to enable Actionprobe usage; otherwise it can be terminated directly to GND.

## Package Pin Assignments (continued)

225-Pin BGA (Top View)



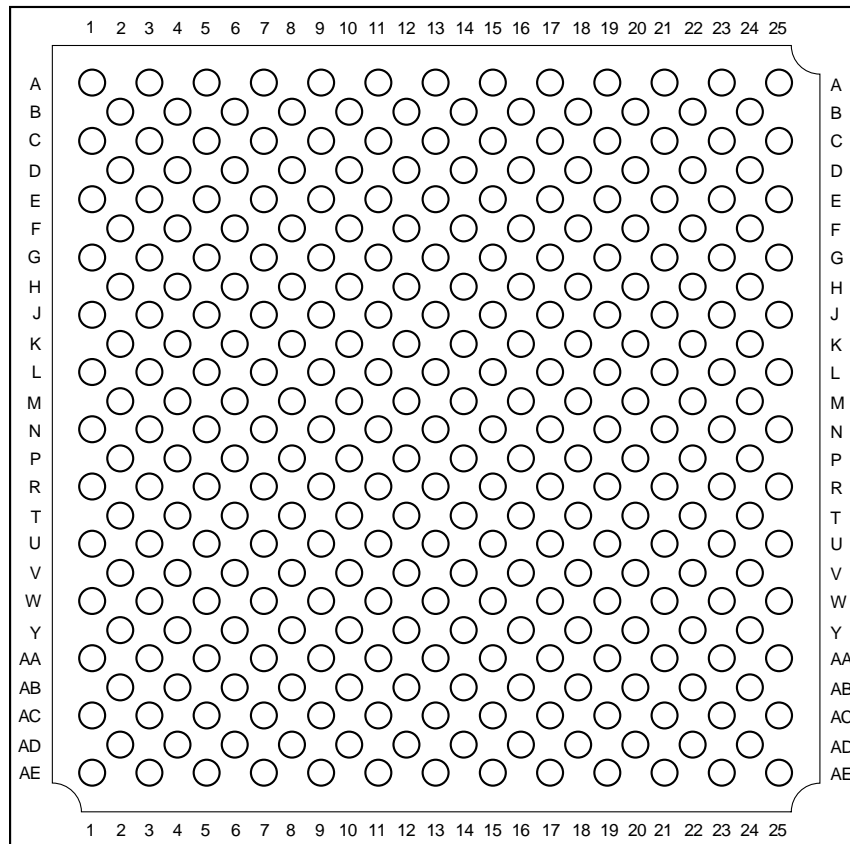
| A1460 Function  | Location  |
|-----------------|---|
| CLKA or I/O     | C8  |
| CLKB or I/O     | B8  |
| DCLK or I/O     | B2  |
| GND             | A1, A15, D15, F8, G7, G8, G9, H6, H7, H8, H9, H10, J7, J8, J9, K8, P2, R15          |
| HCLK or I/O     | P9  |
| IOCLK or I/O    | B14   |
| IOPCL or I/O    | P14   |
| MODE            | D1  |
| NC              | A11, B5, B7, D8, D12, F6, F11, H1, H12, H14, K11, L1, L13, N8, P5, R1, R8, R11, R14 |
| PRA OR I/O      | A7  |
| PRB or I/O      | L7  |
| SDI or I/O      | D4  |
| V <sub>CC</sub> | A8, B12, D5, D14, E3, E8, E13, H2, H3, H11, H15, K4, L2, L12, M8, M15, P4, P8, R13  |

### Notes:

1. Unused I/O pins are designated as outputs by ALS and are driven low.
2. All unassigned pins are available for use as I/Os.
3. MODE should be terminated to GND through a 10K resistor to enable Actionprobe usage; otherwise it can be terminated directly to GND.

## Package Pin Assignments (continued)

## 313-Pin BGA (Top View)



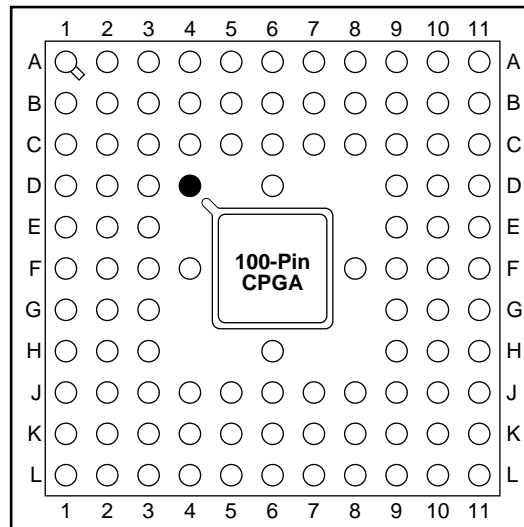
| A14100<br>A14V100 Function | Location  |
|----------------------------|---|
| CLKA or I/O                | J13   |
| CLKB or I/O                | G13   |
| DCLK or I/O                | B2  |
| GND                        | A1, A25, AD2, AE25, J21, L13, M12, M14, N11, N13, N15, P12, P14, R13  |
| HCLK or I/O                | T14   |
| IOCLK or I/O               | B24   |
| IOPCL or I/O               | AD24  |
| MODE                       | G3  |
| NC                         | A3, A13, A23, AA5, AA9, AA23, AB2, AB4, AB20, AC13, AC25, AD22, AE1, AE21, B14, C5, C25, D4, D24, E3, E21, F6, F10, F16, G1, G25, H18, H24, J1, J7, J25, K12, L15, L17, M6, N1, N5, N7, N21, N23, P20, R11, T6, T8, U9, U13, U21, V16, W7, Y20, Y24 |
| PRA OR I/O                 | H12   |
| PRB or I/O                 | AD12  |
| SDI or I/O                 | C1  |
| V <sub>CC</sub>            | AB18, AD6, AE13, C13, C19, E13, G9, H22, K8, K20, M16, N3, N9, N25, U5, W13, V2, V22, V24   |

**Notes:**

1. Unused I/O pins are designated as outputs by ALS and are driven low.
2. All unassigned pins are available for use as I/Os.
3. MODE should be terminated to GND through a 10K resistor to enable Actionprobe usage; otherwise it can be terminated directly to GND.

## Package Pin Assignments (continued)

### 100-Pin CPGA (Top View)



● Orientation Pin

| A1415 Function  | Location                               |
|-----------------|--|
| CLKA or I/O     | C7                                     |
| CLKB or I/O     | D6                                     |
| DCLK or I/O     | C4                                     |
| GND             | C3, C6, C9, E9, F3, F9, J3, J6, J8, J9 |
| HCLK or I/O     | H6                                     |
| IOCLK or I/O    | C10                                    |
| IOPCL or I/O    | K9                                     |
| MODE            | C2                                     |
| PRA OR I/O      | A6                                     |
| PRB or I/O      | L3                                     |
| SDI or I/O      | B3                                     |
| V <sub>CC</sub> | B6, B10, E11, F2, F10, G2, K2, K6, K10 |

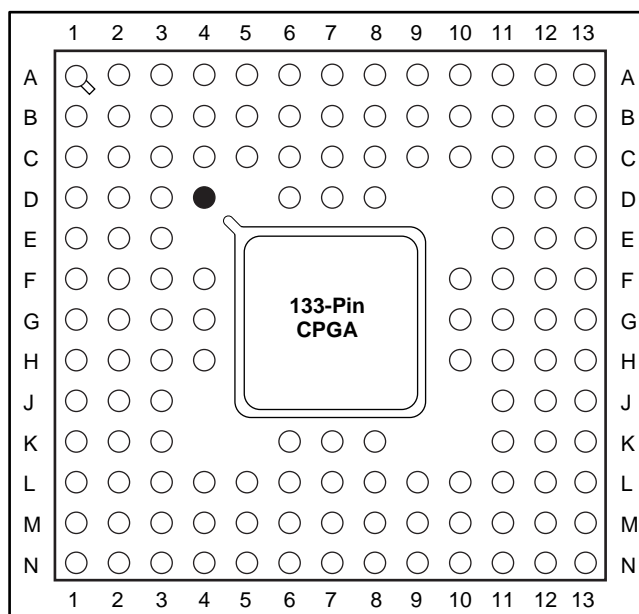
#### Notes:

1. Unused I/O pins are designated as outputs by ALS and are driven low.
2. All unassigned pins are available for use as I/Os.
3. MODE should be terminated to GND through a 10K resistor to enable Actionprobe usage; otherwise it can be terminated directly to GND.



## Package Pin Assignments (continued)

## 133-Pin CPGA (Top View)



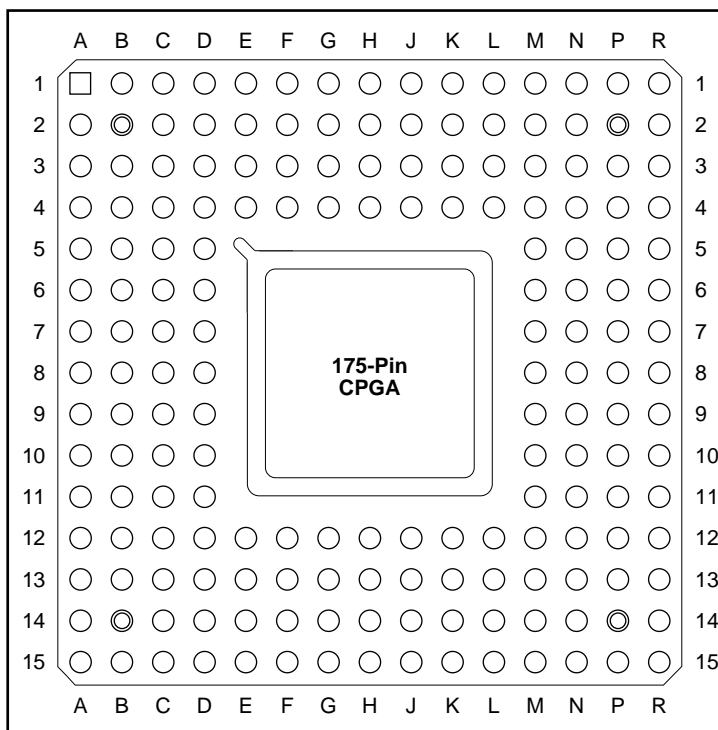
| A1425 Function  | Location   |
|-----------------|--|
| CLKA or I/O     | D7   |
| CLKB or I/O     | B6   |
| DCLK or I/O     | D4   |
| GND             | A2, C3, C7, C11, C12, F10, G3, G11, L3, L7, L11, M3, N12 |
| HCLK or I/O     | K7   |
| IOCLK or I/O    | C10  |
| IOPCL or I/O    | L10  |
| MODE            | E3   |
| NC              | A1, A7, A13, G1, G13, N1, N7, N13                        |
| PRA OR I/O      | A6   |
| PRB or I/O      | L6   |
| SDI or I/O      | C2   |
| V <sub>CC</sub> | B2, B7, B12, E11, G2, G12, J2, J12, M2, M7, M12          |

**Notes:**

1. Unused I/O pins are designated as outputs by ALS and are driven low.
2. All unassigned pins are available for use as I/Os.
3. MODE should be terminated to GND through a 10K resistor to enable Actionprobe usage; otherwise it can be terminated directly to GND.

## Package Pin Assignments (continued)

### 175-Pin CPGA (Top View)



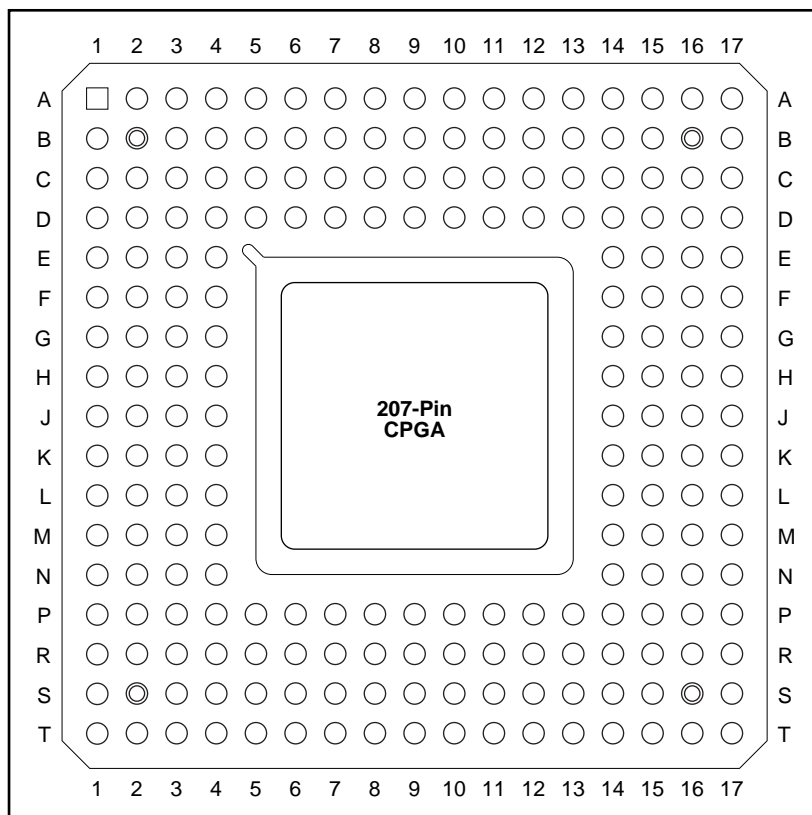
| A1440 Function  | Location   |
|-----------------|--|
| CLKA or I/O     | C9   |
| CLKB or I/O     | A9   |
| DCLK or I/O     | D5   |
| GND             | D4, D8, D11, D12, E4, E14, H4, H12, L4, L12, M4, M8, M12 |
| HCLK or I/O     | R8   |
| IOCLK or I/O    | E12  |
| IOPCL or I/O    | P13  |
| MODE            | F3   |
| NC              | A1, A2, A15, B2, B3, P2, P14, R1, R2, R14, R15           |
| PRA OR I/O      | B8   |
| PRB or I/O      | R7   |
| SDI or I/O      | D3   |
| V <sub>CC</sub> | C3, C8, C13, E15, H3, H13, L1, L14, N3, N8, N13          |

#### Notes:

1. Unused I/O pins are designated as outputs by ALS and are driven low.
2. All unassigned pins are available for use as I/Os.
3. MODE should be terminated to GND through a 10K resistor to enable Actionprobe usage; otherwise it can be terminated directly to GND.

## Package Pin Assignments (continued)

## 207-Pin CPGA (Top View)



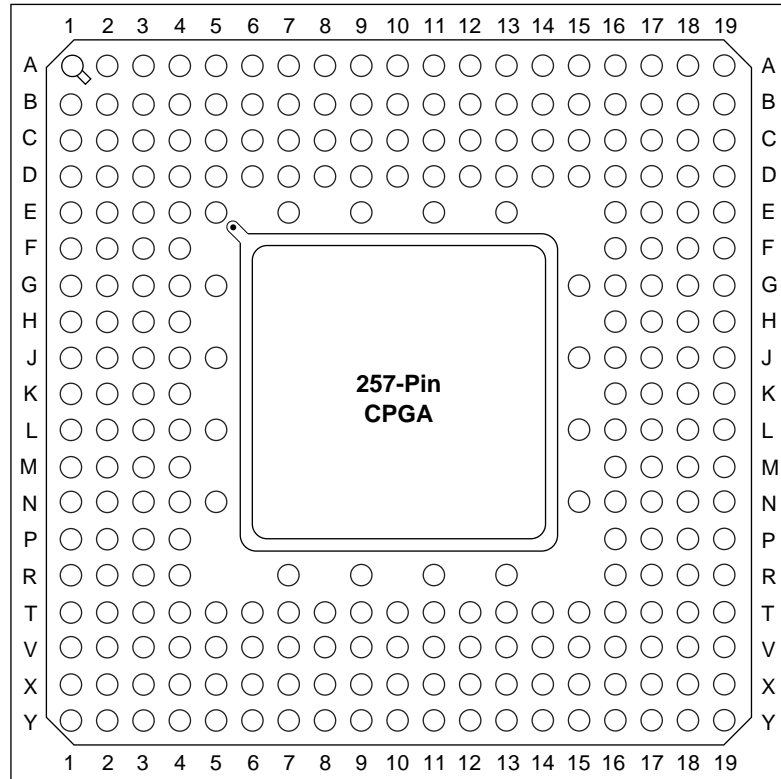
| A1460 Function  | Location   |
|-----------------|--|
| CLKA or I/O     | K1   |
| CLKB or I/O     | J3   |
| DCLK or I/O     | E4   |
| GND             | C15, D4, D5, D9, D14, J4, J14, P3, P4, P7, P9, P14, R15          |
| HCKL or I/O     | J15  |
| IOCLK or I/O    | P5   |
| IOPCL or I/O    | N14  |
| MODE            | D7   |
| NC              | A1, A2, A16, A17, B1, B17, C1, C2, S1, S3, S17, T1, T2, T16, T17 |
| PRA OR I/O      | H1   |
| PRB or I/O      | K16  |
| SDI or I/O      | C3   |
| V <sub>CC</sub> | B2, B9, B16, D11, J2, J16, P12, S2, S9, S16, T5                  |

**Notes:**

1. Unused I/O pins are designated as outputs by ALS and are driven low.
2. All unassigned pins are available for use as I/Os.
3. MODE should be terminated to GND through a 10K resistor to enable Actionprobe usage; otherwise it can be terminated directly to GND.

## Package Pin Assignments (continued)

### 257-Pin CPGA (Top View)



| A14100 Function | Location  |
|-----------------|---|
| CLKA or I/O     | L4  |
| CLKB or I/O     | L5  |
| DCLK or I/O     | E4  |
| GND             | B16, C4, D4, D10, D16, E11, J5, K4, K16, L15, R4, T4, T10, T16, T17, X7 |
| HCLK or I/O     | J16   |
| IOCLK or I/O    | T5  |
| IOPCL or I/O    | R16   |
| MODE            | A5  |
| NC              | E5  |
| PRA OR I/O      | J1  |
| PRB or I/O      | J17   |
| SDI or I/O      | B4  |
| V <sub>CC</sub> | C3, C10, C13, C17, K3, K17, V3, V7, V10, V17, X14                       |

#### Notes:

1. Unused I/O pins are designated as outputs by ALS and are driven low.
2. All unassigned pins are available for use as I/Os.
3. MODE should be terminated to GND through a 10K resistor to enable Actionprobe usage; otherwise it can be terminated directly to GND.