



A_LT-2W Series

**FIXED INPUT ISOLATED & UNREGULATED
2W DUAL OUTPUT
ULTRAMINIATURE SMD PACKAGE**

Multi-country patent protection **RoHS**

FEATURES

- High Efficiency up to 85%
- High Power Density
- SMD Package Styles
- Small Footprint
- 1kVDC Isolation
- Temperature Range: -40°C ~+85°C
- Industry Standard Pinout
- No Heatsink Required
- No External Component Required
- RoHS Compliance

APPLICATIONS

The A_LT-2W Series are specially designed for applications where a group of polar power supplies are isolated from the input power supply in a distributed power supply system on a circuit board.

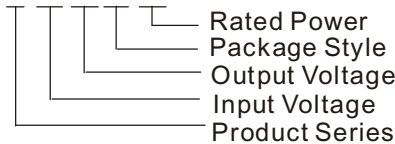
These products apply to:

- 1) Where the voltage of the input power supply is fixed (voltage variation $\pm 10\%$);
- 2) Where isolation is necessary between input and output (isolation voltage = 1000VDC);
- 3) Where the regulation of the output voltage and the output ripple noise are not demanding.

Such as: purely digital circuits, ordinary low frequency analog circuits, and IGBT power device driving circuits.

MODEL SELECTION

A0505LT-2W



PRODUCT PROGRAM							
Part Number	Input		Output			Efficiency (% Typ)	Package Style
	Voltage (VDC)		Voltage (VDC)	Current (mA)			
	Nominal	Range		Max	Min		
A0505LT-2W	5	4.5~5.5	±5	±200	±20	82	SMD
A0509LT-2W			±9	±111	±11	83	SMD
A0512LT-2W			±12	±83	±8	84	SMD
A1205LT-2W	12	10.8~13.2	±5	±200	±20	83	SMD
A1209LT-2W			±9	±111	±11	84	SMD
A1212LT-2W			±12	±83	±8	84	SMD
A1215LT-2W			±15	±67	±7	85	SMD

Note: The A_T-1W series also are available in our company.

COMMON SPECIFICATIONS	
Short circuit protection	1 second
Temperature rise at full load	25°C Max, 15°C Typ
Cooling	Free air convection
Operating temperature range	-40°C~+85°C
Storage temperature range	-55°C ~+125°C
Lead temperature	260°C (1.5mm from case for 10 seconds)
Storage humidity range	≤ 95%
Case material	Plastic (UL94-V0)
MTBF	>3,500,000 hours

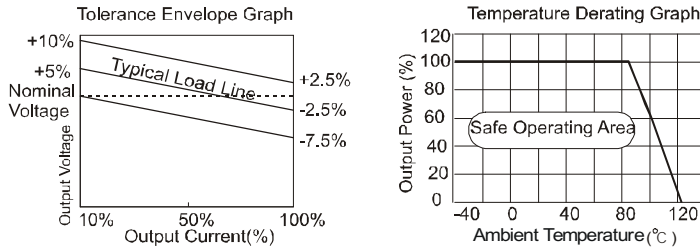
ISOLATION SPECIFICATIONS					
Item	Test conditions	Min	Typ	Max	Units
Isolation voltage	Tested for 1 minute and 1mA max	1000			VDC
Isolation resistance	Test at 500VDC	1000			MΩ

OUTPUT SPECIFICATIONS					
Item	Test conditions	Min	Typ	Max	Units
Output power		0.2		2	W
Line regulation	For Vin change of 1%			1.2	%
Load regulation	10% to 100% load (5V output)		10	15	%
	10% to 100% load (9V output)		6.5	15	
	10% to 100% load (12V output)		6.0	15	
	10% to 100% load (15V output)		6.0	15	
Output voltage accuracy	See tolerance envelope graph				
Temperature drift	100% full load			0.03	%/°C
Output ripple	20MHz Bandwidth		75	150	mVp-p
Noise	20MHz Bandwidth		150	250	
Switching frequency	Full load, nominal input		70		kHz

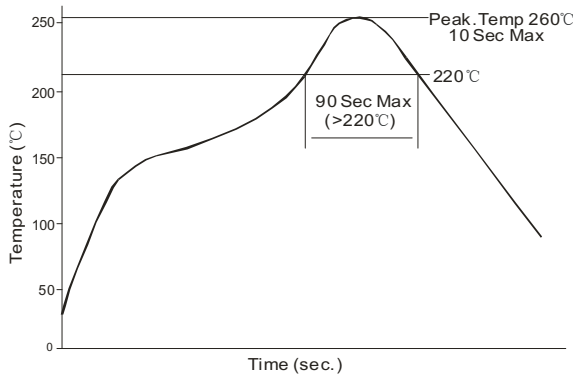
Note:

1. All specifications measured at TA=25°C, humidity<75%, nominal input voltage and rated output load unless otherwise specified.
2. See below recommended circuits for more details.

TYPICAL CHARACTERISTICS



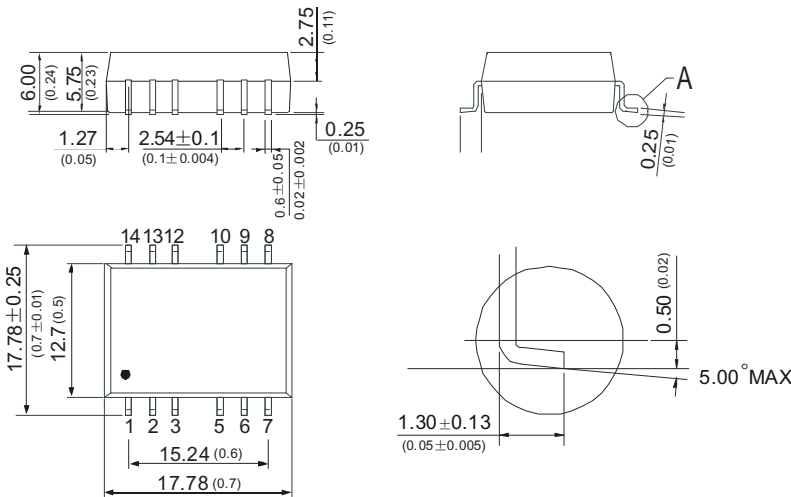
RECOMMENDED REFLOW SOLDERING PROFILE



PIN CONNECTIONS

Pin	1	2	3	5	6	7	8	9	10	12	13	14
Function	GND	V _{in}	NC	-V _o	0V	+V _o	NC	NC	-V _o	NC	NC	NC

OUTLINE DIMENSIONS & RECOMMENDED FOOTPRINT DETAILS



Note: All Pins on a 2.54mm(0.1) pitch; All Pin Widths are 0.60 mm(0.02);

Tolerances: ±0.15mm(0.006); Unit: mm(inch)

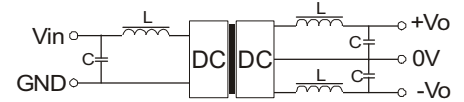
APPLICATION NOTE

Requirement on output load

To ensure this module can operate efficiently and reliably, a minimum load is specified for this kind of DC/DC converter in addition to a maximum load (namely full load). During operation, make sure the specified range of input voltage is not exceeded, the minimum output load is **not less than 10%** of the full load, and that this product should never be operated under no load! If the actual output power is very small, please connect a resistor with proper resistance at the output end in parallel to increase the load, or use our company's products with a lower rated output power (A_T-1W series).

Filtering

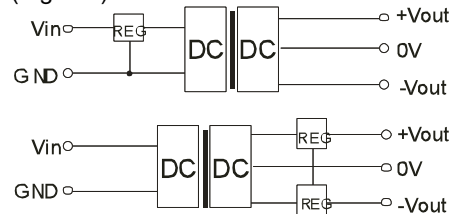
In some circuits which are sensitive to noise and ripple, a filtering capacitor may be added to the DC/DC output end and input end to reduce the noise and ripple. However, the capacitance of the output filter capacitor must be proper. If the capacitance is too big, a startup problem might arise. For every channel of output, provided the safe and reliable operation is ensured, the greatest capacitance of its filter capacitor sees the **EXTERNAL CAPACITOR TABLE**. To get an extremely low ripple, an "LC" filtering network may be connected to the input and output ends of the DC/DC converter, which may produce a more significant filtering effect. It should also be noted that the inductance and the frequency of the "LC" filtering network should be staggered with the DC/DC frequency to avoid mutual interference (Figure 1).



(Figure 1)

Output Voltage Regulation and Over-voltage Protection Circuit

The simplest device for output voltage regulation, over-voltage and over-current protection is a linear voltage regulator that is connected to the input or output end in series (Figure 2).



(Figure 2)

Overload Protection

Under normal operating conditions, the output circuit of these products has no protection against over-current and short-circuits. The simplest method is to connect a self-recovery fuse in series at the input end or add a circuit breaker to the circuit.

EXTERNAL CAPACITOR TABLE

V _{in}	External capacitor	V _{out}	External capacitor
5VDC	4.7uF	5VDC	4.7uF
12VDC	2.2uF	9VDC	2.2uF
		12VDC	1uF
--	--	15VDC	0.47uF

It's not recommend to connect any external capacitor in the application field with less than 0.5 watt output.