

### FEATURES

CMOS 10-Bit 20 MSPS Sampling A/D Converter  
 Pin-Compatible 8-Bit Option  
 Power Dissipation: 160 mW  
 +5 V Single Supply Operation  
 Differential Nonlinearity: 0.5 LSB  
 Guaranteed No Missing Codes  
 Power Down (Standby) Mode  
 Three-State Outputs  
 Digital I/Os Compatible with +5 V or +3.3 V Logic  
 Adjustable Reference Input  
 Small Size: 28-Lead SOIC, 28-Lead SSOP, or 48-Lead  
 Thin Quad Flatpack (TQFP)

### PRODUCT DESCRIPTION

The AD876 is a CMOS, 160 mW, 10-bit, 20 MSPS analog-to-digital converter (ADC). The AD876 has an on-chip input sample-and-hold amplifier. By implementing a multistage pipelined architecture with output error correction logic, the AD876 offers accurate performance and guarantees no missing codes over the full operating temperature range. Force and sense connections to the reference inputs minimize external voltage drops.

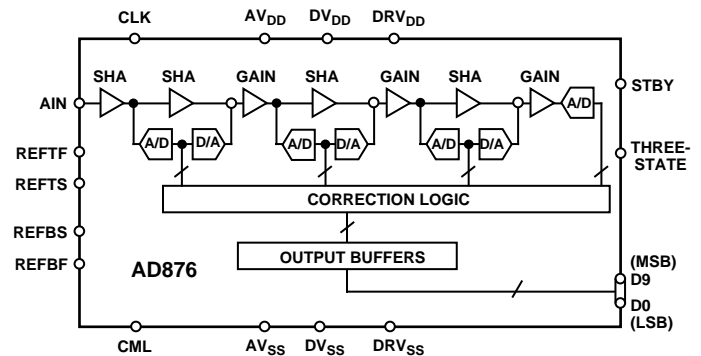
The AD876 can be placed into a standby mode of operation reducing the power below 50 mW. The AD876's digital I/O interfaces to either +5 V or +3.3 V logic. Digital output pins can be placed in a high impedance state; the format of the output is straight binary coding.

The AD876's speed, resolution and single-supply operation ideally suit a variety of applications in video, multimedia, imaging, high speed data acquisition and communications. The AD876's low power and single-supply operation satisfy requirements for high speed portable applications. Its speed and resolution ideally suit charge coupled device (CCD) input systems such as color scanners, digital copiers, electronic still cameras and camcorders.

### REV. B

Information furnished by Analog Devices is believed to be accurate and reliable. However, no responsibility is assumed by Analog Devices for its use, nor for any infringements of patents or other rights of third parties which may result from its use. No license is granted by implication or otherwise under any patent or patent rights of Analog Devices.

### FUNCTIONAL BLOCK DIAGRAM



The AD876 comes in a space saving 28-lead SOIC and 48-lead thin quad flatpack (TQFP) and is specified over the commercial (0°C to +70°C) temperature range.

### PRODUCT HIGHLIGHTS

#### Low Power

The AD876 at 160 mW consumes a fraction of the power of presently available 8- or 10-bit, video speed converters. Power-down mode and single-supply operation further enhance its desirability in low power, battery operated applications such as electronic still cameras, camcorders and communication systems.

#### Very Small Package

The AD876 comes in a 28-lead SOIC, 28-lead SSOP, and 48-lead surface mount, thin quad flat package. The TQFP package is ideal for very tight, low headroom designs.

#### Digital I/O Functionality

The AD876 offers three-state output control.

#### Pin Compatible Upgrade Path

The AD876 offers the option of laying out designs for eight bits and migrating to 10-bit resolution if prototype results warrant.

# AD876—SPECIFICATIONS

( $T_{MIN}$  to  $T_{MAX}$  with  $AV_{DD} = +5.0$  V,  $DV_{DD} = +5.0$  V,  $DRV_{DD} = +3.3$  V,  $V_{REFB} = +4.0$  V,  $V_{REFB} = +2.0$  V,  $f_{CLOCK} = 20$  MSPS, unless otherwise noted)

Parameter	AD876JR-8			AD876			Units	
	Min	Typ	Max	Min	Typ	Max		
RESOLUTION	8			10			Bits	
DC ACCURACY								
Integral Nonlinearity (INL)		±0.3	±1.0		±1.0		LSB	
Differential Nonlinearity (DNL)		±0.1	±0.75		±0.5	±1	LSB	
No Missing Codes	GUARANTEED			GUARANTEED				
Offset Error		0.1			0.4		% FSR	
Gain Error		0.1			0.2		% FSR	
ANALOG INPUT								
Input Range	2			2			V p-p	
Input Capacitance	5.0			5.0			pF	
REFERENCE INPUT								
Reference Top Voltage	3.5	4.0	4.5	3.5	4.0	4.5	V	
Reference Bottom Voltage	1.6	2.0	2.5	1.6	2.0	2.5	V	
Reference Input Resistance	250			250			Ω	
Reference Input Current	8.0			8.0			mA	
Reference Top Offset	35			35			mV	
Reference Bottom Offset	35			35			mV	
DYNAMIC PERFORMANCE								
Effective Number of Bits								
$f_{IN} = 1$ MHz		7.8			9.0		Bits	
$f_{IN} = 3.58$ MHz	7.4	7.8		8.2	9.0		Bits	
$f_{IN} = 10$ MHz		7.5			8.2		Bits	
Signal-to-Noise and Distortion (S/N+D) Ratio								
$f_{IN} = 1$ MHz		49			56		dB	
$f_{IN} = 3.58$ MHz	46	49		51	56		dB	
$f_{IN} = 10$ MHz		47			51		dB	
Total Harmonic Distortion (THD)								
$f_{IN} = 1$ MHz		-62			-62		dB	
$f_{IN} = 3.58$ MHz		-62	-56		-62	-56	dB	
$f_{IN} = 10$ MHz		-60			-60		dB	
Spurious Free Dynamic Range <sup>2</sup>		-65			-65		dB	
Full Power Bandwidth		150			150		MHz	
Differential Phase		0.5			0.5		Degree	
Differential Gain		1			1		%	
POWER SUPPLIES								
Operating Voltage								
$AV_{DD}$ <sup>1</sup>	+4.5		+5.25	+4.5		+5.25	Volts	
$DV_{DD}$ <sup>1</sup>	+4.5		+5.25	+4.5		+5.25	Volts	
$DRV_{DD}$	+3.0		+5.25	+3.0		+5.25	Volts	
Operating Current								
$I_{AV_{DD}}$		20	25		20	25	mA	
$IDV_{DD}$		12	16		12	16	mA	
$IDRV_{DD}$		0.1	1		0.1	1	mA	
POWER CONSUMPTION	160			160			190	mW
TEMPERATURE RANGE								
Specified	0			0			+70	°C

## NOTES

<sup>1</sup> $AV_{DD}$  and  $DV_{DD}$  must be within 0.5 V of each other to maintain specified performance levels.

<sup>2</sup>3.58 MHz Input Frequency.

Specifications subject to change without notice. See Definition of Specifications for additional information.

## DIGITAL SPECIFICATIONS

( $T_{MIN}$  to  $T_{MAX}$  with  $AV_{DD} = +5.0$  V,  $DV_{DD} = +5.0$  V,  $DRV_{DD} = +3.3$  V,  $V_{REFT} = +4.0$  V,  $V_{REFB} = +2.0$  V,  $f_{CLOCK} = 20$  MSPS,  $C_L = 20$  pF unless otherwise noted)

Parameter	Symbol	DRV <sub>DD</sub>	AD876			Units
			Min	Typ	Max	
<b>LOGIC INPUT</b>						
High Level Input Voltage	V <sub>IH</sub>	3.0	2.4			V
		5.0	4.0			V
		5.25	4.2			V
Low Level Input Voltage	V <sub>IL</sub>	3.0			0.6	V
		5.0			1.0	V
		5.25			1.05	V
High Level Input Current	I <sub>IH</sub>	5.0	-10		+10	μA
Low Level Input Current	I <sub>IL</sub>	5.0	-50		+50	μA
Low Level Input Current (CLK Only)	I <sub>IL</sub>	5.0	-10		+10	μA
Input Capacitance	C <sub>IN</sub>			5		pF
<b>LOGIC OUTPUTS</b>						
High Level Output Voltage (I <sub>OH</sub> = 50 μA)	V <sub>OH</sub>	3.0	2.4			V
		5.0	3.8			V
		5.0	2.4			V
Low Level Output Voltage (I <sub>OL</sub> = 50 μA)	V <sub>OL</sub>	3.6			0.7	V
		5.25			1.05	V
		5.25			0.4	V
Output Capacitance	C <sub>OUT</sub>			5		pF
Output Leakage Current	I <sub>OZ</sub>		-10		10	μA

Specifications subject to change without notice.

## TIMING SPECIFICATIONS

	Symbol	Min	Typ	Max	Units
Maximum Conversion Rate <sup>1</sup>		20			MHz
Clock Period	t <sub>C</sub>		50		ns
Clock High	t <sub>CH</sub>	23	25		ns
Clock Low	t <sub>CL</sub>	23	25		ns
Output Delay	t <sub>OD</sub>	10	20		ns
Pipeline Delay (Latency)				3.5	Clock Cycles
Aperture Delay Time			4		ns
Aperture Jitter			22		ps

NOTE

<sup>1</sup>Conversion rate is operational down to 10 kHz without degradation in specified performance.

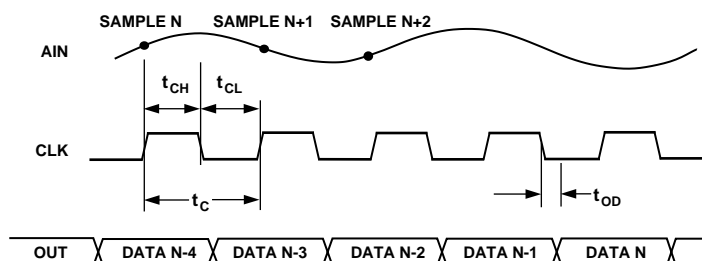


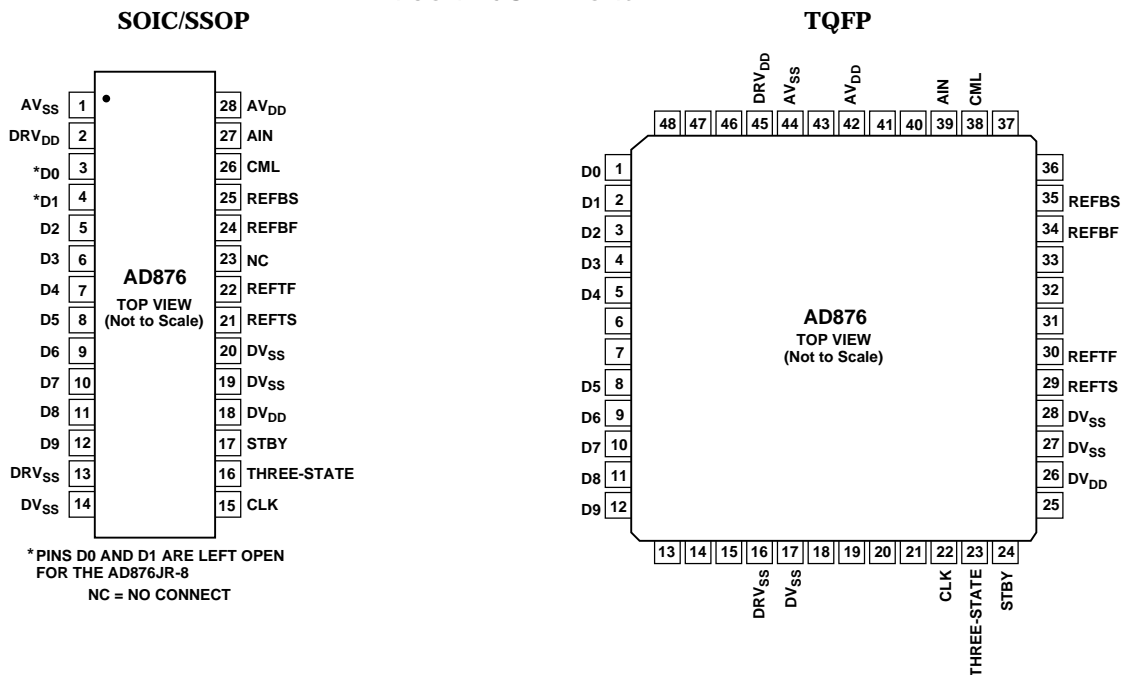
Figure 1. Timing Diagram

## PIN FUNCTION DESCRIPTIONS

Symbol	SOIC Pin No.	TQFP Pin No.	Type	Name and Function
D0 (LSB)	3	1	DO	Least Significant Bit.
D1-D4	4-7	2-5	DO	Data Bits 1 through 4.
D5-D8	8-11	8-11	DO	Data Bits 5 through 8.
D9 (MSB)	12	12	DO	Most Significant Bit.
THREE-STATE	16	23	DI	<u>THREE-STATE = LOW</u> <u>THREE-STATE = HIGH</u> or N/C
STBY	17	24	DI	Normal Operating Mode      High Impedance Outputs <u>STBY = LOW</u> or N/C <u>STBY = HIGH</u> Normal Operating Mode      Standby Mode
CLK	15	22	DI	Clock Input.
CML	26	38	AO	Bypass Pin for an Internal Bias Point.
REFTF	22	30	AI	Reference Top Force.
REFBF	24	34	AI	Reference Bottom Force.
REFTS	21	29	AI	Reference Top Sense.
REFBS	25	35	AI	Reference Bottom Sense.
AIN	27	39	AI	Analog Input.
AV <sub>DD</sub>	28	42	P	+5 V Analog Supply.
AV <sub>SS</sub>	1	44	P	Analog Ground.
DV <sub>DD</sub>	18	26	P	+5 V Digital Supply.
DV <sub>SS</sub>	14, 19, 20	17, 27, 28	P	Digital Ground.
DRV <sub>DD</sub>	2	45	P	+3.3 V/+5 V Digital Supply. Supply for digital input and output buffers.
DRV <sub>SS</sub>	13	16	P	+3.3 V/+5 V Digital Ground. Ground for digital input and output buffers.

Type: AI = Analog Input; AO = Analog Output; DI = Digital Input; DO = Digital Output; P = Power.

## PIN CONFIGURATIONS



**ABSOLUTE MAXIMUM RATINGS\***

Parameter	With Respect to	Min	Max	Units
AV <sub>DD</sub>	AV <sub>SS</sub>	-0.5	+6.5	Volts
DV <sub>DD</sub> , DRV <sub>DD</sub>	DV <sub>SS</sub> , DRV <sub>SS</sub>	-0.5	+6.5	Volts
AV <sub>SS</sub>	DV <sub>SS</sub> , DRV <sub>SS</sub>	-0.5	+0.5	Volts
AIN	AV <sub>SS</sub>	-0.5	+6.5	Volts
REFTS, REFTF	AV <sub>SS</sub>	-0.5	+6.5	Volts
REFBS, REFBF				
Digital Inputs, CLK	DV <sub>SS</sub> , DRV <sub>SS</sub>	-0.5	+6.5	Volts
Junction Temperature				
Storage Temperature		-65	+150	°C
Lead Temperature (10 sec)			+300	°C

**ORDERING GUIDE**

Model	Temperature Range	Package Description	Package Options
AD876JR	0°C to +70°C	28-Lead SOIC	R-28
AD876JST-Reel	0°C to +70°C	48-Lead TQFP (Tape and Reel 13")	ST-48
AD876JR-8	0°C to +70°C	28-Lead SOIC	R-28
AD876AR	-40°C to +85°C	28-Lead SOIC	R-28
AD876ARS	-40°C to +85°C	28-Lead SSOP	RS-28
AD876JRS	0°C to +70°C	28-Lead SSOP	RS-28
AD876JRS-8	0°C to +70°C	28-Lead SSOP	RS-28

\*Stresses above those listed under Absolute Maximum Ratings may cause permanent damage to the device. This is a stress rating only; functional operation of the device at these or any other conditions above those indicated in the operational sections of this specification is not implied. Exposure to absolute maximum ratings for extended periods may effect device reliability.

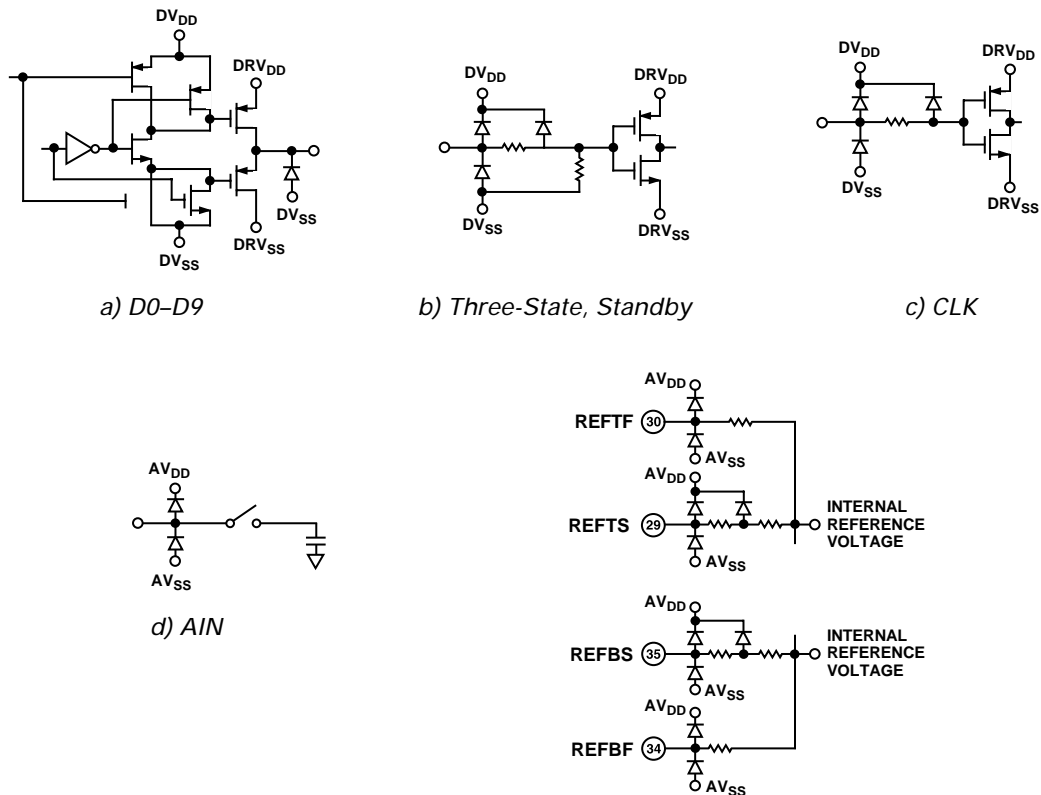


Figure 2. Equivalent Circuits

**CAUTION**

ESD (electrostatic discharge) sensitive device. Electrostatic charges as high as 4000 V readily accumulate on the human body and test equipment and can discharge without detection. Although the AD876 features proprietary ESD protection circuitry, permanent damage may occur on devices subjected to high energy electrostatic discharges. Therefore, proper ESD precautions are recommended to avoid performance degradation or loss of functionality.



# AD876—Typical Performance Characteristics

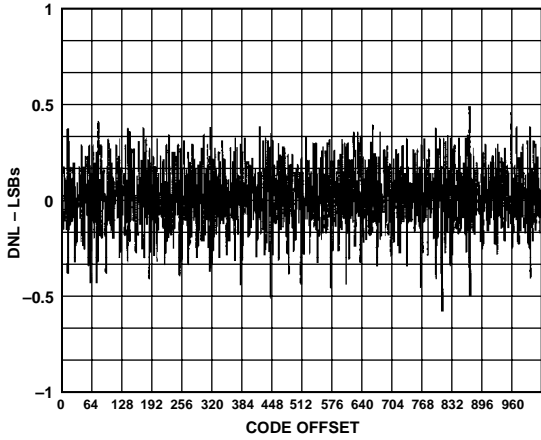


Figure 3. AD876 Typical DNL

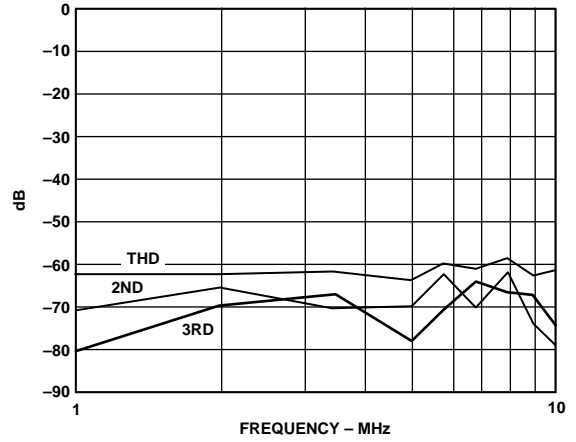


Figure 6. THD vs. Input Frequency 2nd, 3rd Harmonics

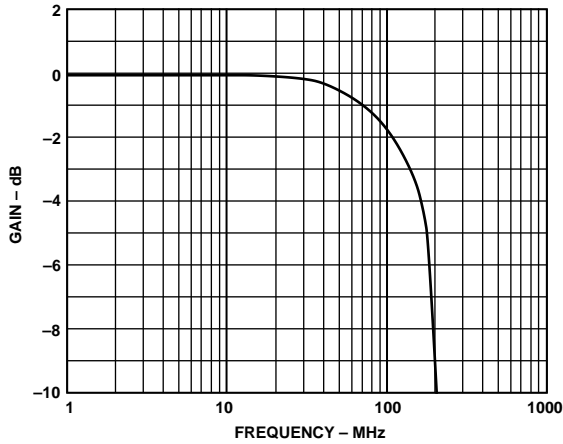


Figure 4. Full Power Bandwidth

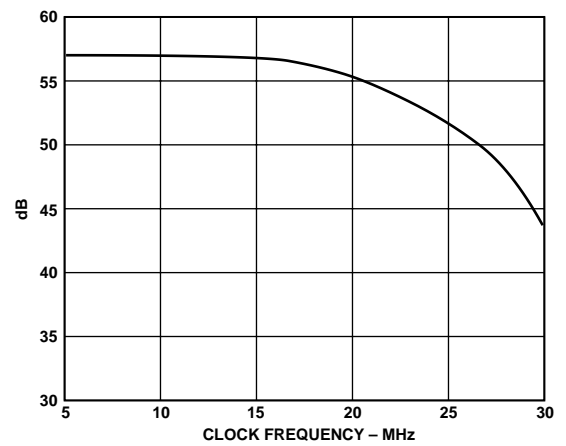


Figure 7. SINAD vs. CLK Frequency ( $A_{IN} = -0.5$  dB)

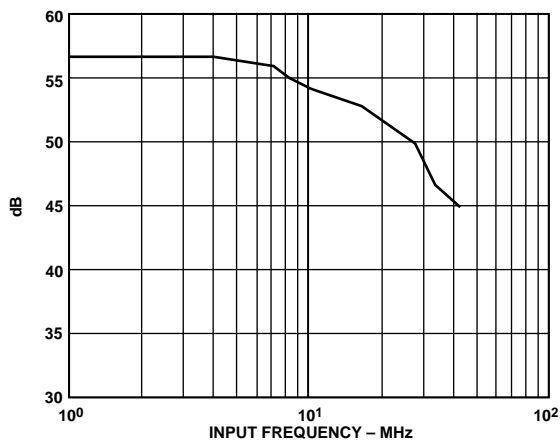


Figure 5. SINAD vs. Input Frequency ( $f_{CLK} = 20$  MSPS,  $A_{IN} = -0.5$  dB)

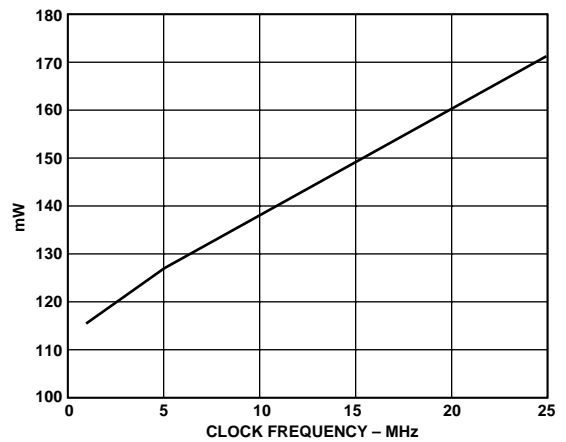


Figure 8. Power Consumption vs. Sample Rate

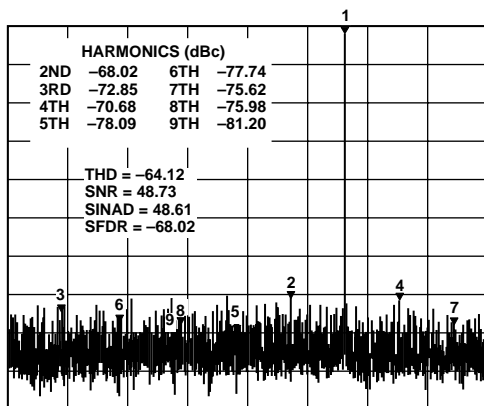


Figure 9. AD876JR-8 Typical FFT ( $f_{IN} = 3.58$  MHz,  $A_{IN} = -0.5$  dB,  $f_{CLOCK} = 20$  MSPS)

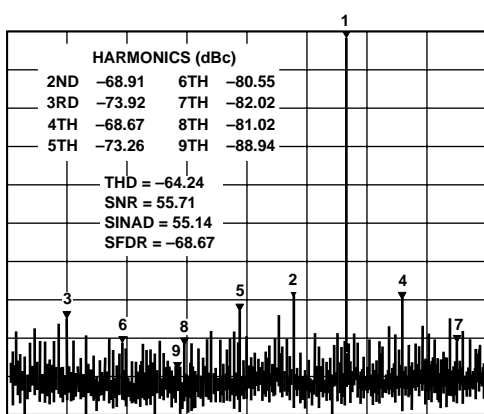


Figure 10. AD876 Typical FFT ( $f_{IN} = 3.58$  MHz,  $A_{IN} = -0.5$  dB,  $f_{CLOCK} = 20$  MSPS)

## DEFINITIONS OF SPECIFICATIONS

### INTEGRAL NONLINEARITY (INL)

Integral nonlinearity refers to the deviation of each individual code from a line drawn from “zero” through “full scale”. The point used as “zero” occurs 1/2 LSB before the first code transition. “Full scale” is defined as a level 1 1/2 LSB beyond the last code transition. The deviation is measured from the center of each particular code to the true straight line.

### DIFFERENTIAL NONLINEARITY (DNL, NO MISSING CODES)

An ideal ADC exhibits code transitions that are exactly 1 LSB apart. DNL is the deviation from this ideal value. It is often specified in terms of the resolution for which no missing codes (NMC) are guaranteed.

### OFFSET ERROR

The first transition should occur at a level 1/2 LSB above “zero.” Offset is defined as the deviation of the actual first code transition from that point.

### GAIN ERROR

The first code transition should occur for an analog value 1/2 LSB above nominal negative full scale. The last transition should occur for an analog value 1 1/2 LSB below the nominal positive full scale. Gain error is the deviation of the actual difference between first and last code transitions and the ideal difference between the first and last code transitions.

### PIPELINE DELAY (LATENCY)

The number of clock cycles between conversion initiation and the associated output data being made available. New output data is provided every clock cycle.

### REFERENCE TOP/BOTTOM OFFSET

Resistance between the reference input and comparator input tap points causes offset errors. These errors can be nulled out by using the force-sense connection as shown in the Reference Input section.

### THEORY OF OPERATION

The AD876 implements a pipelined multistage architecture to achieve high sample rate with low power. The AD876 distributes the conversion over several smaller A/D subblocks, refining the conversion with progressively higher accuracy as it passes the results from stage to stage. As a consequence of the distributed conversion, the AD876 requires a small fraction of the 1023 comparators used in a traditional flash type A/D. A sample-and-hold function within each of the stages permits the first stage to operate on a new input sample while the second and third stages operate on the two preceding samples.

### APPLYING THE AD876

#### DRIVING THE ANALOG INPUT

Figure 11 shows the equivalent analog input of the AD876, a sample-and-hold amplifier (SHA). Bringing CLK to a logic low level closes Switches 1 and 2 and opens Switch 3. The input source connected to AIN must charge capacitor  $C_H$  during this time. When CLK transitions from logic “low” to logic “high,” Switch 1 opens first, placing the SHA in hold mode. Switch 2 opens subsequently. Switch 3 then closes, connects the feedback loop around the op amp, and forces the output of the op amp to equal the voltage stored on  $C_H$ . When CLK transitions from logic “high” to logic “low”, Switch 3 opens first. Switch 2 closes and reconnects the input to  $C_H$ . Finally, Switch 1 closes and places the SHA in track mode.

The structure of the input SHA places certain requirements on the input drive source. The combination of the pin capacitance,  $C_P$ , and the hold capacitance,  $C_H$ , is typically less than 5 pF. The input source must be able to charge or discharge this capacitance to 10-bit accuracy in one half of a clock cycle. When the SHA goes into track mode, the input source must charge or discharge capacitor  $C_H$  from the voltage already stored on  $C_H$  (the previously captured sample) to the new voltage. In the worst case, a full-scale voltage step on the input, the input source must provide the charging current through the  $R_{ON}$  (50  $\Omega$ ) of Switch 2 and quickly settle (within 1/2 CLK period). This situation corresponds to driving a low input impedance. On the other hand, when the source voltage equals the value previously stored on  $C_H$ , the hold capacitor requires no input current and the equivalent input impedance is extremely high.

Adding series resistance between the output of the source and the AIN pin reduces the drive requirements placed on the source. Figure 12 shows this configuration. The bandwidth of the particular application limits the size of this resistor. To maintain the performance outlined in the data sheet specifications, the resistor should be limited to 200  $\Omega$  or less. For applications with signal bandwidths less than 10 MHz, the user may increase the size of the series resistor proportionally. Alternatively, adding a shunt capacitance between the AIN pin and

# AD876

analog ground can lower the ac source impedance. The value of this capacitance will depend on the source resistance and the required signal bandwidth.

The input span of the AD876 is a function of the reference voltages. For more information regarding the input range, see the DRIVING THE REFERENCE TERMINALS section of the data sheet.

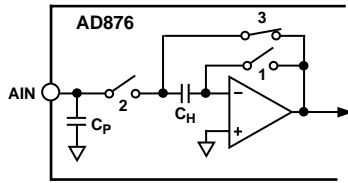


Figure 11. AD876 Equivalent Input Structure

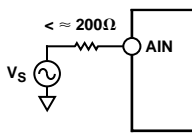


Figure 12. Simple AD876 Drive Requirements

In many cases, particularly in single-supply operation, ac-coupling offers a convenient way of biasing the analog input signal at the proper signal range. Figure 13 shows a typical configuration for ac-coupling the analog input signal to the AD876. Maintaining the specifications outlined in the data sheet requires careful selection of the component values. The most important concern is the  $f_{3\text{ dB}}$  high-pass corner that is a function of  $R_2$ , and the parallel combination of  $C_1$  and  $C_2$ . The  $f_{3\text{ dB}}$  point can be approximated by the equation

$$f_{3\text{ dB}} = \frac{1}{[2 \times \pi \times (R_2) C_{eq}]}$$

where  $C_{eq}$  is the parallel combination of  $C_1$  and  $C_2$ . Note that  $C_1$  is typically a large electrolytic or tantalum capacitor that becomes inductive at high frequencies. Adding a small ceramic or polystyrene capacitor on the order of  $0.01\ \mu\text{F}$  that does not become inductive until negligibly higher frequencies maintains a low impedance over a wide frequency range.

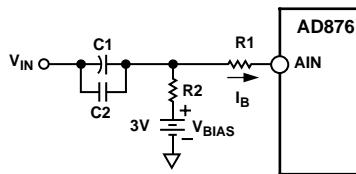


Figure 13. AC-Coupled Inputs

There are additional considerations when choosing the resistor values. The ac-coupling capacitors integrate the switching transients present at the input of the AD876 and cause a net dc bias current,  $I_B$ , to flow into the input. The magnitude of this bias current increases with increasing dc signal level and also increases with sample frequency. This bias current will result in an offset error of  $(R_1 + R_2) \times I_B$ . If it is necessary to compensate this error, consider making  $R_2$  negligibly small or modifying  $V_{BIAS}$  to account for the resultant offset.

As an example, assume that the input to the AD876 must have a dc bias of 3 V and the minimum expected signal frequency is

20 kHz. At a sample clock frequency of 20 MHz, the dc bias current at 3 V dc is approximately  $30\ \mu\text{A}$ . If we choose  $R_2$  equal to  $1\ \text{k}\Omega$  and  $R_1$  equal to  $50\ \Omega$ , the parallel capacitance should be a minimum of  $0.008\ \mu\text{F}$  to avoid attenuating signals close to 20 kHz. Note that the bias current will cause a 31.5 mV offset from the 3 V bias.

In systems that must use dc-coupling, use an op amp to level-shift a ground-referenced signal to comply with the input requirements of the AD876. Figure 14 shows an AD817 configured in inverting mode with ac signal gain of  $-1$ . The dc voltage at the noninverting input of the op amp controls the amount of dc level shifting. A resistive voltage divider attenuates the REFBF signal. The op amp then multiplies the attenuated signal by 2. In the case where  $\text{REFBF} = 1.6\ \text{V}$ , the dc output level will be 2.6 V. The AD817 is a low cost, fast settling, single supply op amp with a  $G = -1$  bandwidth of 29 MHz. The AD818 is similar to the AD817 but has a 50 MHz bandwidth. Other appropriate op amps include the AD8011, AD812 (a dual), and the AD8001.

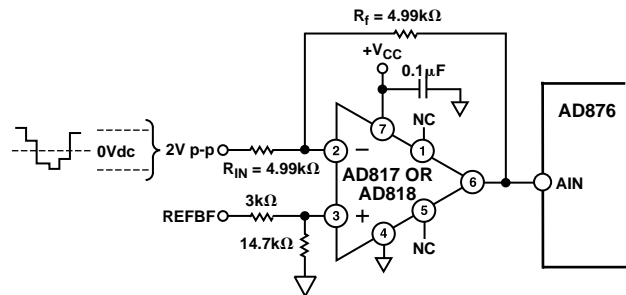


Figure 14. Bipolar Level Shift

An integrated difference amplifier such as the AD830 is an alternate means of providing dc level shifting. The AD830 provides a great deal of flexibility with control over offset and gain. Figure 15 shows the AD830 precisely level-shifting a unipolar, ground-referenced signal. The reference voltage, REFBS, determines the amount of level-shifting. The ac gain is 1. The AD830 offers the advantages of high CMRR, precise gain, offset, and high-impedance inputs when compared with a discrete implementation. For more information regarding the AD830, see the AD830 data sheet.

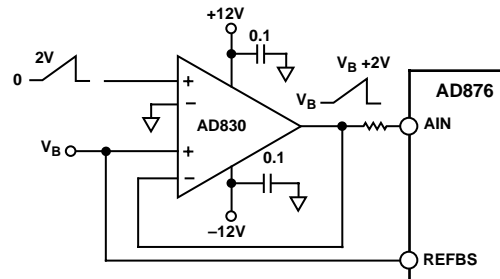


Figure 15. Level Shifting with the AD830

## REFERENCE INPUT DRIVING THE REFERENCE TERMINALS

The AD876 requires an external reference on pins REFTF and REFBF. The AD876 provides reference sense pins, REFTS and REFBS, to minimize voltage drops caused by external and internal wiring resistance. A resistor ladder, nominally  $250\ \Omega$ , connects pins REFTF and REFBF.





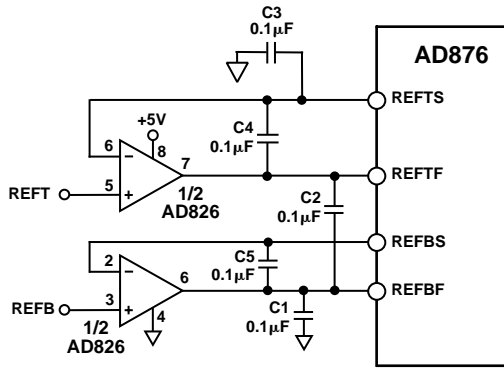


Figure 19. Kelvin Connected Reference Using the AD826

By connecting the op amp feedback through the sense connections of the AD876, the outputs of the op amps automatically adjust to compensate for the voltage drops that occur within the converter. The AD826 has the advantage of being able to maintain stability while driving unlimited capacitive loads. As a result, 0.1 μF capacitors C1, C2, and C3 can connect directly to the outputs of the op amps. These decoupling capacitors reduce high frequency transients. Capacitors C4 and C5 shunt across the internal resistors of the force sense connections and prevent instability.

This configuration provides excellent performance and a minimal number of components. The circuit also offers the advantage of operating from a single +5 V supply. While alternative op amps may also be suitable, consider the stability of these op amps while driving capacitive loads.

The circuit shown in Figure 20 allows a wider selection of op amps when compared with the previous configuration. An

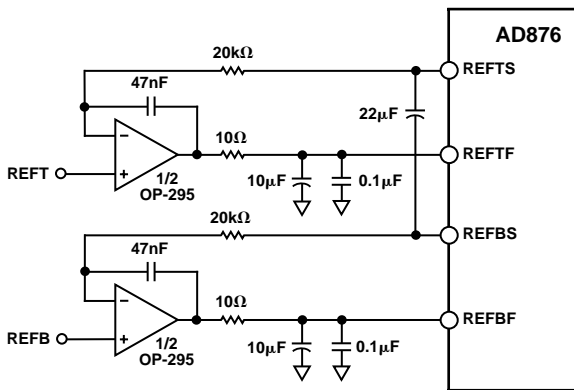


Figure 20. Kelvin Connected Reference Using the OP295

OP295 dual, single-supply op amp provides stable 3.6 V and 1.6 V reference voltages. The AD822 dual op amp is also suitable for single-supply applications. Each half of the OP295 is compensated to drive the 10 μF and 0.1 μF decoupling capacitors at the REFTF and REFBF pins and maintain stability.

Like any high resolution converter, the layout and decoupling of the reference is critical. The actual voltage digitized by the AD876 is relative to the reference voltages. In Figure 21, for example, the reference return and the bypass capacitors are connected to the shield of the incoming analog signal. Disturbances in the ground of the analog input, that will be common-mode to the REFT, REFB, and AIN pins because of the

common ground, are effectively removed by the AD876's high common-mode rejection.

High frequency noise sources,  $V_{N1}$  and  $V_{N2}$ , are shunted to ground by decoupling capacitors. Any voltage drops between the analog input ground and the reference bypassing points will be treated as input signals by the converter via the reference inputs. Consequently, the reference decoupling capacitors should be connected to the same analog ground point used to define the analog input voltage. (For further suggestions, see the "Grounding and Layout Rules" section of the data sheet.)

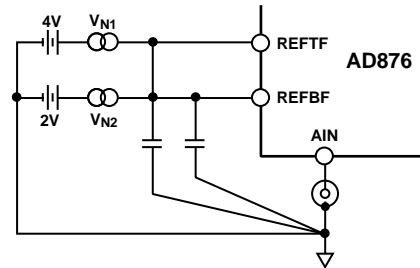


Figure 21. Recommended Bypassing for the Reference Inputs

### CLOCK INPUT

The AD876 clock input is buffered internally with an inverter powered from the  $DRV_{DD}$  pin. This feature allows the AD876 to accommodate either +5 V or +3.3 V CMOS logic input signal swings with the input threshold for the CLK pin nominally at  $DRV_{DD}/2$ .

The AD876's pipelined architecture operates on both rising and falling edges of the input clock. To minimize duty cycle variations the recommended logic family to drive the clock input is high speed or advanced CMOS (HC/HCT, AC/ACT) logic. CMOS logic provides both symmetrical voltage threshold levels and sufficient rise and fall times to support 20 MSPS operation. The AD876 is designed to support a conversion rate of 20 MSPS; running the part at slightly faster clock rates may be possible, although at reduced performance levels. Conversely, some slight performance improvements might be realized by clocking the AD876 at slower clock rates.

The power dissipated by the correction logic and output buffers is largely proportional to the clock frequency; running at reduced clock rates provides a reduction in power consumption. Figure 8 illustrates this trade-off.

### DIGITAL INPUTS AND OUTPUTS

Each of the AD876 digital control inputs, THREE-STATE and STBY, has an input buffer powered from the  $DRV_{DD}$  supply pins. With  $DRV_{DD}$  set to +5 V, all digital inputs readily interface with +5 V CMOS logic. For interfacing with lower voltage CMOS logic,  $DRV_{DD}$  can be set to 3.3 V, effectively lowering the nominal input threshold of all digital inputs to  $3.3 V/2 = 1.65 V$ .

The format of the digital output is straight binary. Table I shows the output format for the case where  $REFTS = 4 V$  and  $REFBS = 2 V$ .

Table I. Output Data Format

Approx. AIN (V)	THREE-STATE	DATA									
		D9	D8	D7	D6	D5	D4	D3	D2	D1	D0
>4	0	1	1	1	1	1	1	1	1	1	1
4	0	1	1	1	1	1	1	1	1	1	1
3	0	1	0	0	0	0	0	0	0	0	0
2	0	0	0	0	0	0	0	0	0	0	0
<2	0	0	0	0	0	0	0	0	0	0	0
X	1	Z	Z	Z	Z	Z	Z	Z	Z	Z	Z

A low power mode feature is provided such that for STBY = HIGH and the clock disabled, the static power of the AD876 will drop below 50 mW.

### GROUNDING AND LAYOUT RULES

As is the case for any high performance device, proper grounding and layout techniques are essential in achieving optimal performance. The analog and digital grounds on the AD876 have been separated to optimize the management of return currents in a system. It is recommended that a printed circuit board (PCB) of at least 4 layers employing a ground plane and power planes be used with the AD876. The use of ground and power planes offers distinct advantages:

1. The minimization of the loop area encompassed by a signal and its return path.
2. The minimization of the impedance associated with ground and power paths.
3. The inherent distributed capacitor formed by the power plane, PCB insulation, and ground plane.

These characteristics result in both a reduction of electromagnetic interference (EMI) and an overall improvement in performance.

It is important to design a layout which prevents noise from coupling onto the input signal. Digital signals should not be run in parallel with the input signal traces and should be routed away from the input circuitry. Separate analog and digital grounds should be joined together directly under the AD876. A solid ground plane under the AD876 is also acceptable if the power and ground return currents are managed carefully. A general rule of thumb for mixed signal layouts dictates that the return currents from digital circuitry should not pass through critical analog circuitry. For further layout suggestions, see the *AD876 Evaluation Board data sheet*.

### DIGITAL OUTPUTS

Each of the on-chip buffers for the AD876 output bits (D0–D9) is powered from the DRV<sub>DD</sub> supply pins, separate from AV<sub>DD</sub> or DV<sub>DD</sub>. The output drivers are sized to handle a variety of logic families while minimizing the amount of glitch energy generated. In all cases, a fan-out of one is recommended to keep the capacitive load on the output data bits below the specified 20 pF level.

For DRV<sub>DD</sub> = 5 V, the AD876 output signal swing is compatible with both high speed CMOS and TTL logic families. For TTL, the AD876 on-chip, output drivers were designed to support several of the high speed TTL families (F, AS, S). For applications where the clock rate is below 20 MSPS, other TTL families may be appropriate. For interfacing with lower voltage CMOS logic, the AD876 sustains 20 MSPS operation with DRV<sub>DD</sub> = 3.3 V. In all cases, check your logic family data sheets for compatibility with the AD876 Digital Specification table.

### THREE-STATE OUTPUTS

The digital outputs of the AD876 can be placed in a high impedance state by setting the THREE-STATE pin to HIGH. This feature is provided to facilitate in-circuit testing or evaluation. Note that this function is not intended for enabling/disabling the ADC outputs from a bus at 20 MSPS. Also, to avoid corruption of the sampled analog signal during conversion (3.5 clock cycles), it is highly recommended that the AD876 outputs be enabled on the bus prior to the first sampling. For the purpose of budgetary timing, the maximum access and float delay times ( $t_{DD}$ ,  $t_{HL}$  shown in Figure 22) for the AD876 are 150 ns.

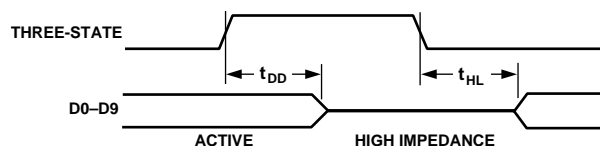


Figure 22. High-Impedance Output Timing Diagram



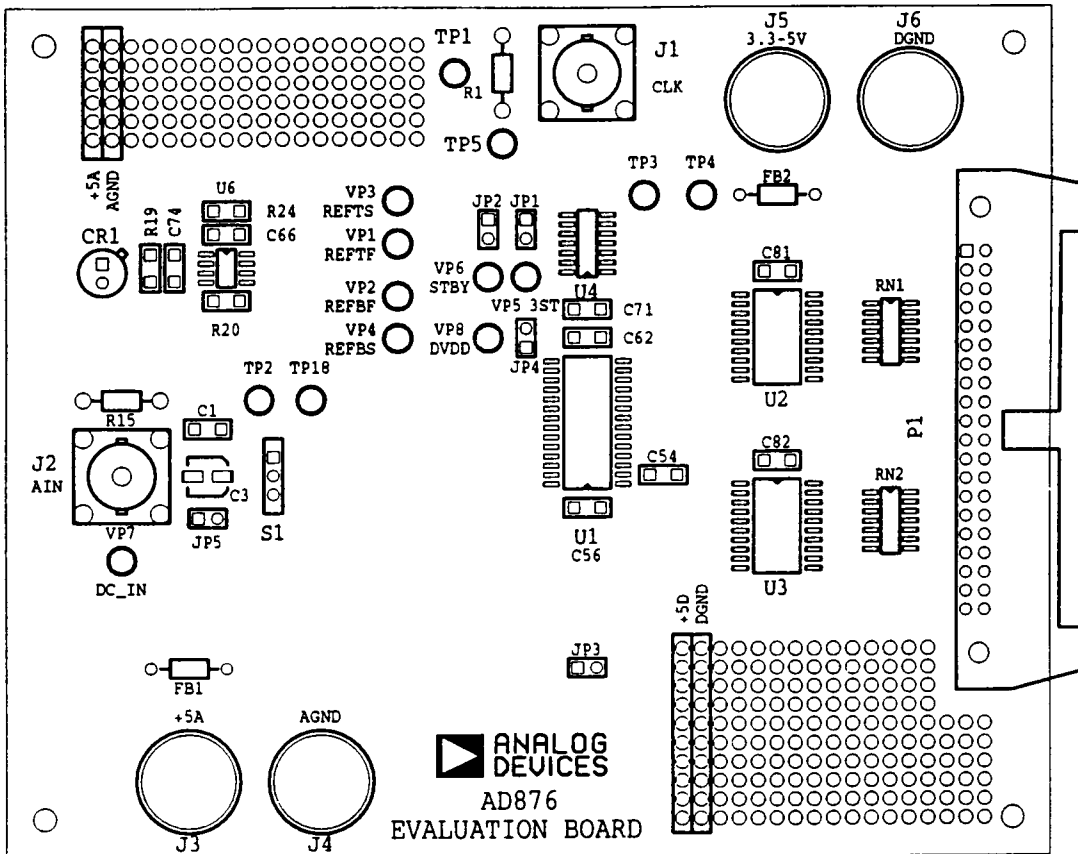


Figure 24. Silkscreen Layer, Component Side PCB Layout

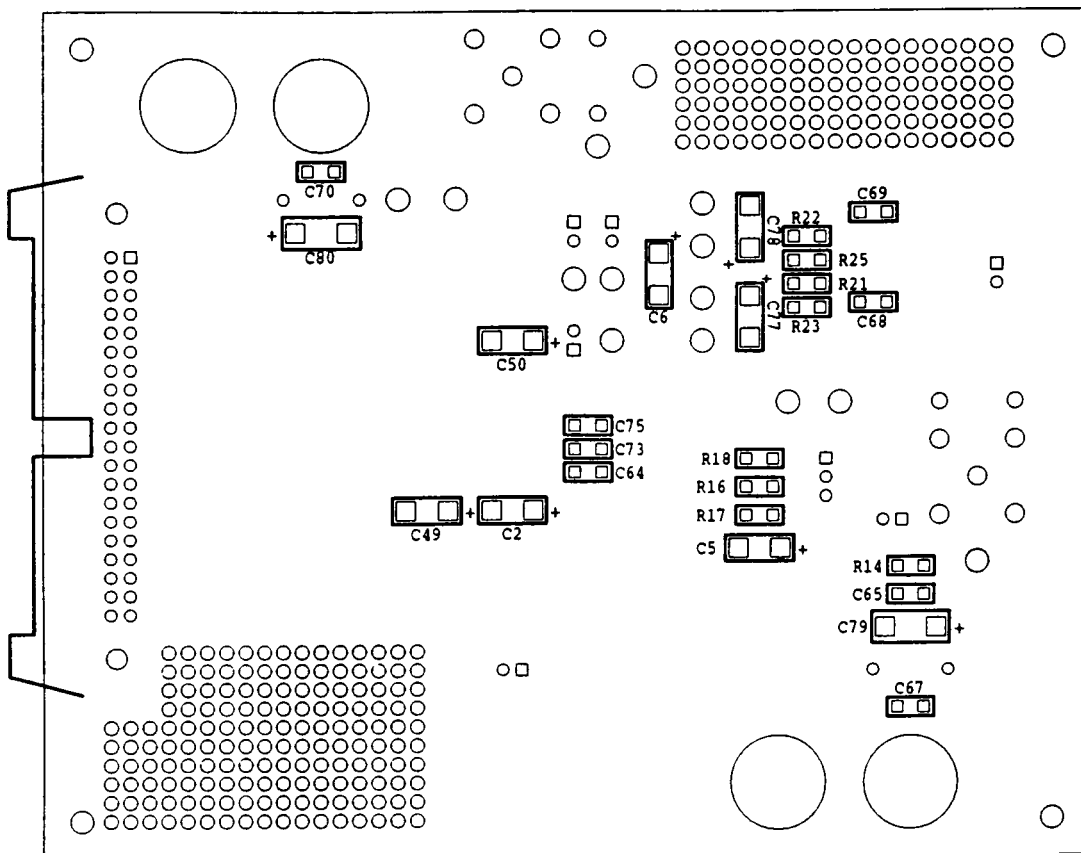


Figure 25. Silkscreen Layer, Circuit Side PCB Layout

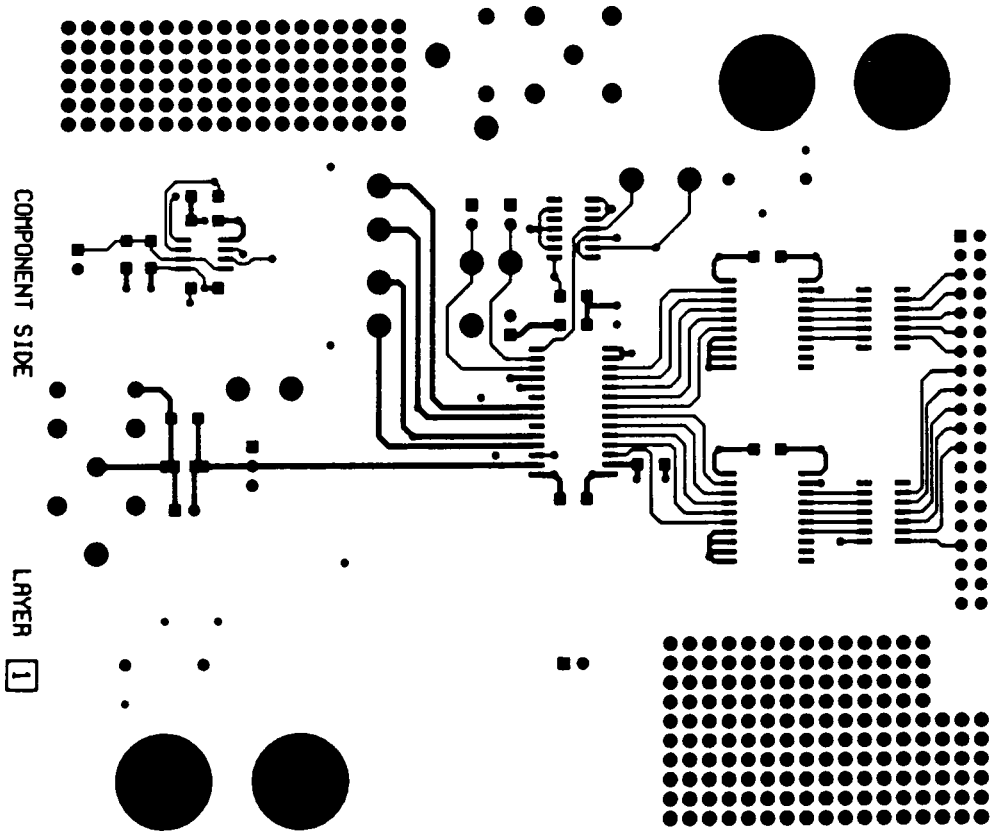


Figure 26. Component Side PCB Layout

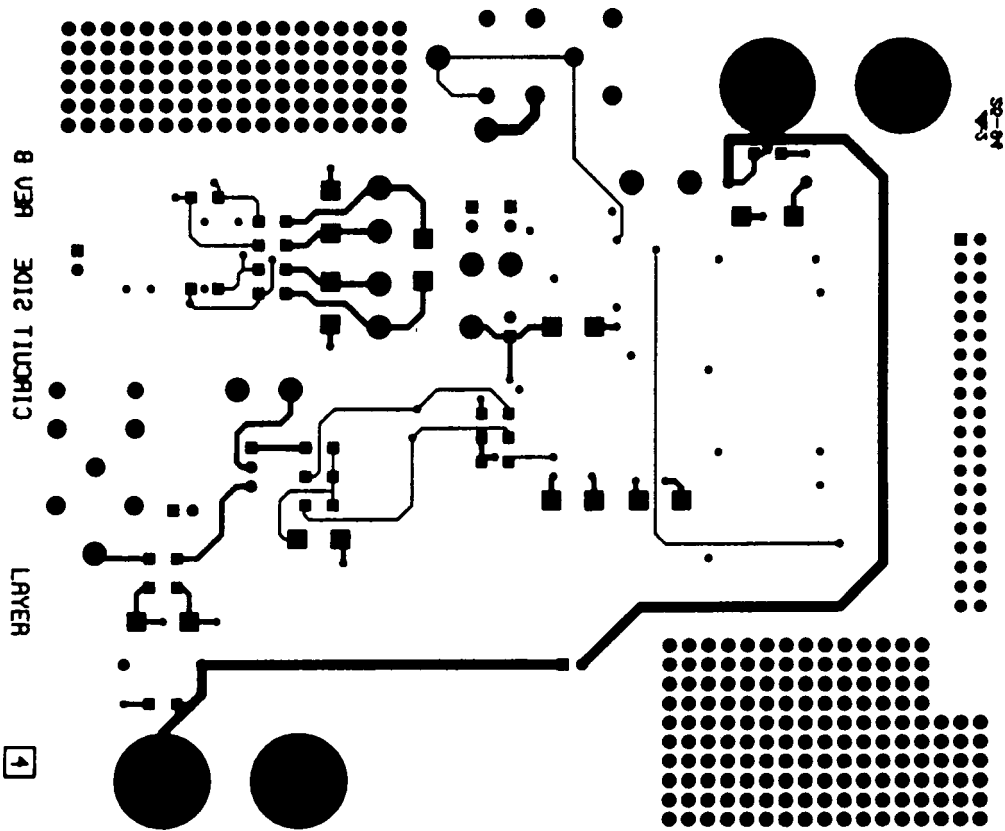


Figure 27. Circuit Side PCB Layout

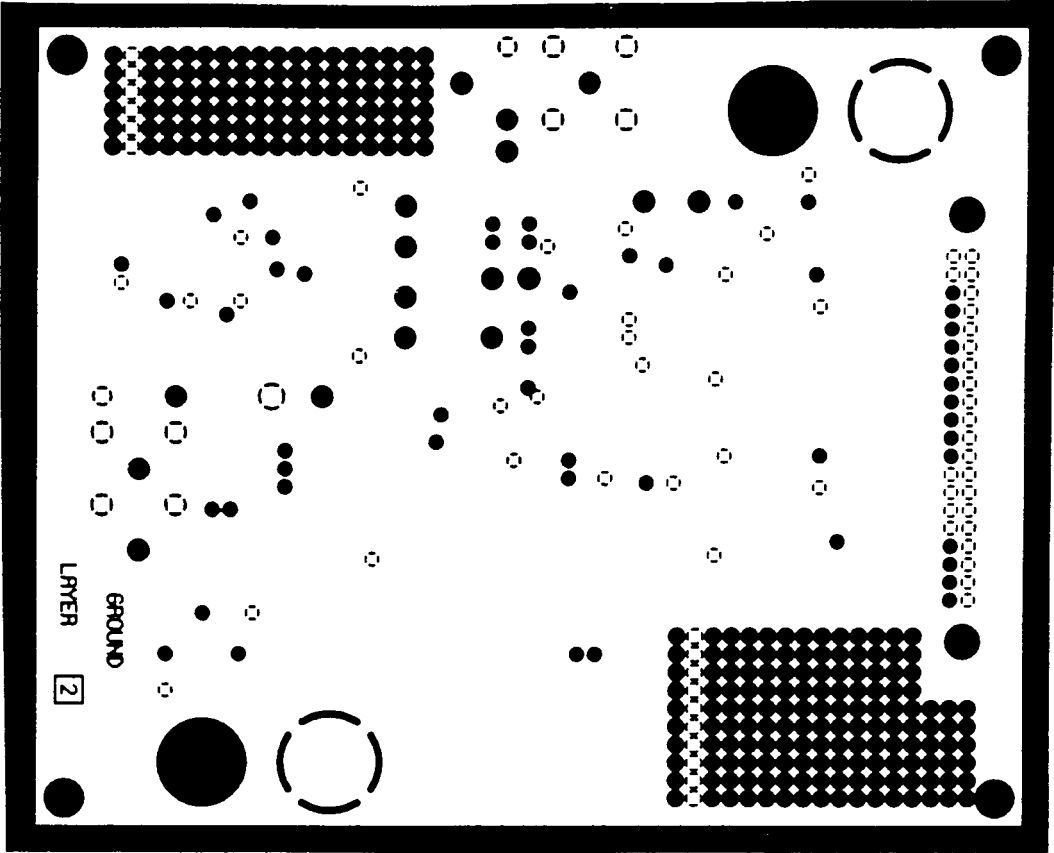


Figure 28. Ground Layer PCB Layout

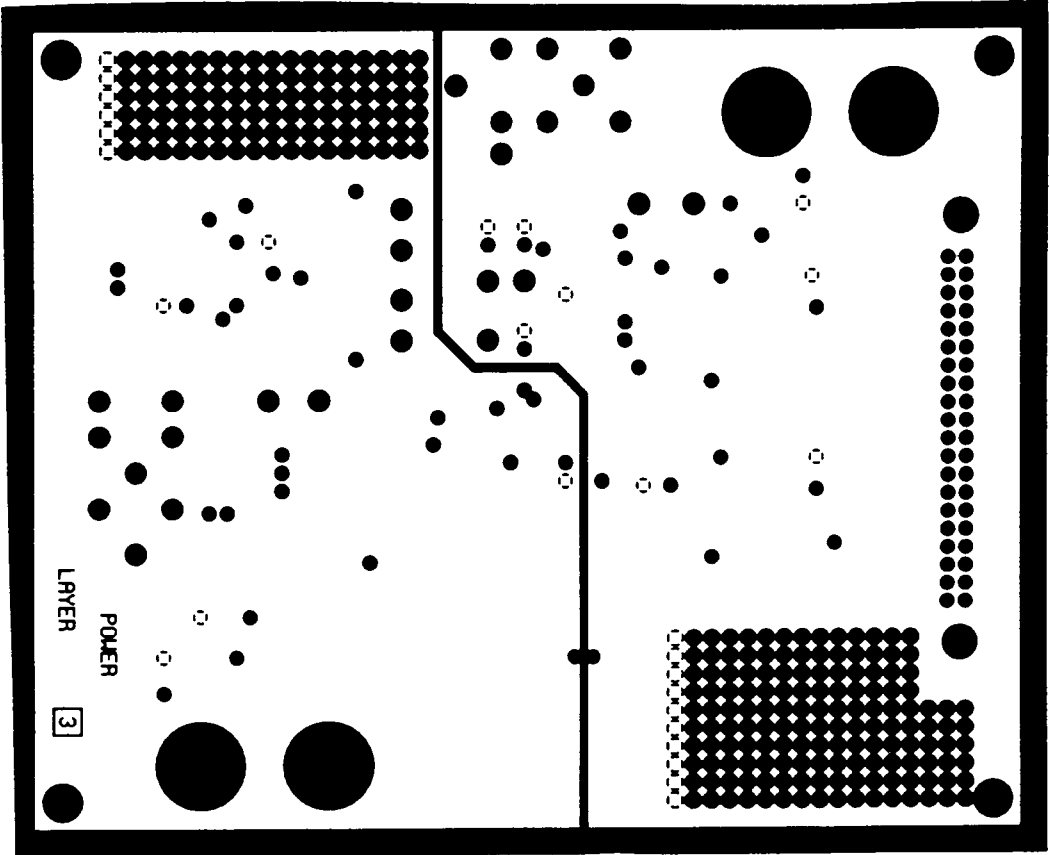
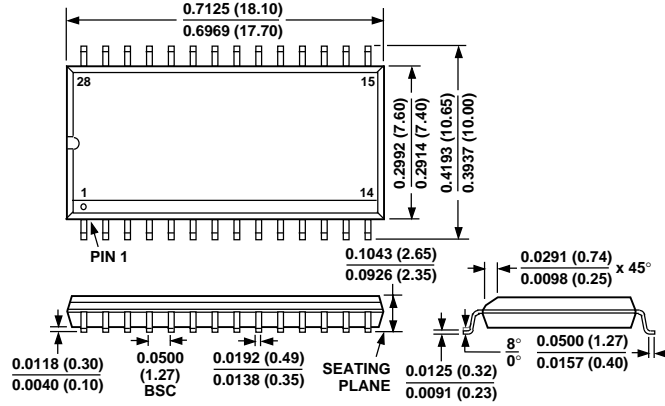


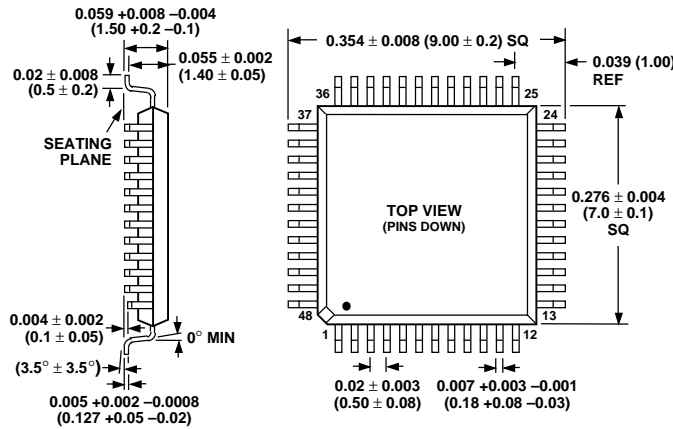
Figure 29. Power Layer PCB Layout

**OUTLINE DIMENSIONS**  
Dimensions shown in inches and (mm).

**R-28**  
**28-Lead Wide Body (SOIC)**



**ST-48**  
**28-Lead Plastic Thin Quad Flatpack (TQFP)**



**RS-28**  
**28-Lead Shrink Small Outline Package (SSOP)**

