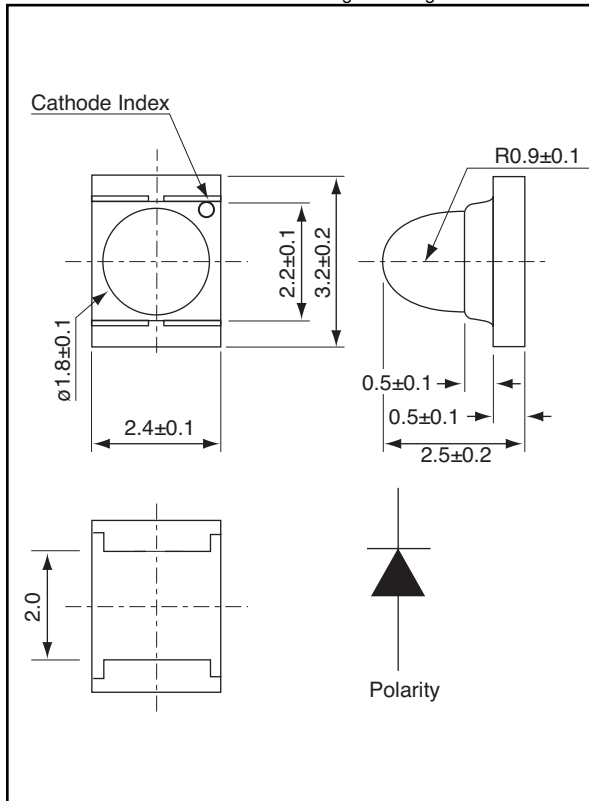




Weight: 2.0 mg Unit: mm



Product specifications contained herein may be changed without prior notice. It is therefore advisable to contact Purdy Electronics before proceeding with the design of equipment incorporating this product.

# AND5RA

## GaAlAs Ultra Bright Red Light Emission Surface Mount Package

### Features

- Small package size with dome lens
- 3.2(l) x 2.4 (w) x 2.6 (h) size
- Suitable for REFLOW soldering
- Recommended Forward Current: 10 mA
- RoHS Compliant

### Maximum Ratings ( $T_a = 25^\circ\text{C}$ )

Characteristics	Symbol	Rating	Unit
Forward Current	$I_F$	40	mA
Reverse Voltage	$V_R$	5	V
Power Dissipation	$P_D$	110	mW
Operating Temperature Range	$T_{Opr}$	-40 to 85	$^\circ\text{C}$
Storage Temperature Range	$T_{Sig}$	-40 to 90	$^\circ\text{C}$

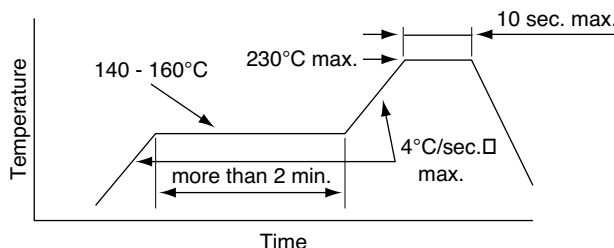
### Electro-Optical Characteristics ( $T_a = 25^\circ\text{C}$ )

Characteristics	Symbol	Test Condition	Minimum	Typical	Maximum	Unit
Forward Voltage	$V_F$	$I_F = 20 \text{ mA}$	–	1.7	2.4	V
Reverse Current	$I_R$	$V_R = 5 \text{ V}$	–	–	10	$\mu\text{A}$
Luminous Intensity	$I_V$	$I_F = 20 \text{ mA}$	290	480	–	mcd
Peak Emission Wavelength	$I_P$	$I_F = 20 \text{ mA}$	–	660	–	nm
Spectral Line Half Width	$\Delta\lambda$	$I_F = 20 \text{ mA}$	–	20	–	nm
Dominant Wavelength	$\lambda_d$	$I_F = 20 \text{ mA}$	–	643	–	nm
Full Viewing Angle	$\theta$	$I_V = 1/2 \text{ Peak}$	–	30	–	degree

### Precaution

Please be careful of the following:

1. Manual soldering: maximum temperature of iron tip:  $260^\circ\text{C}$  max.  
Soldering time: within 5 sec. per solder-land  
Soldering portion of lead: up to 1.6 mm from the body of the device
2. Reflow solder: recommended condition is as follows:



The following soldering patterns are recommended for reflow soldering

