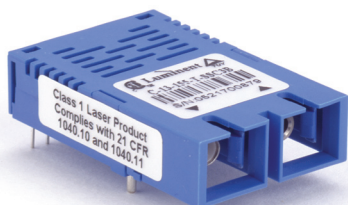


C-13-1250(C)-T(3)-SSC(2)



Features

- SC Duplex Single Mode Transceiver
- Industry Standard 1x9 Footprint
- Gigabit Ethernet Compliant
- Single +3.3/5V Power Supply
- PECL Differential Inputs and Outputs
- PECL/LVPECL Signal Detection Output [C-13-1250-T(3)-SSC(2)]
- TTL/LVTTL Signal Detection Output [C-13-1250C-T(3)-SSC(2)]
- Wave Solderable and Aqueous Washable
- Uncooled laser diode with MQW structure
- Complies with Telcordia (Bellcore) GR-468-CORE
- Gigabit Ethernet Application
- RoHS compliance available

Absolute Maximum Rating

Parameter	Symbol	Min.	Max.	Unit	Note
Power Supply Voltage	V_{CC}	0	3.6	V	C-13-1250(C)-T3-SSC(2)
Power Supply Voltage	V_{CC}	0	6	V	C-13-1250(C)-T-SSC(2)
Output Current	I_{out}	0	30	mA	
Soldering Temperature	-	-	260	°C	10 seconds on leads only
Storage Temperature	T_{stg}	-40	85	°C	

Recommended Operating Condition

Parameter	Symbol	Min.	Typ.	Max.	Unit
Power Supply Voltage ¹	V_{CC}	3.1	3.3	3.5	V
Power Supply Voltage ¹	V_{CC}	4.75	5	5.25	V
Operating Temperature ¹	T_{opr}	0	-	70	°C
Operating Temperature ¹	T_{opr}	-40	-	85	°C
Data Rate	-	-	1250	-	Mbps

Note1: Please refer to ordering information

C-13-1250(C)-T(3)-SSC(2)

Transmitter Specifications

Parameter	Symbol	Min	Typical	Max	Unit	Notes
Optical Transmit Power	P_o	-10	-	-3	dBm	C-13-1250(C)-T(3)-SSC
Optical Transmit Power	P_o	-5	-	0	dBm	C-13-1250(C)-T(3)-SSC2
Output center Wavelength	λ	1270	1310	1355	nm	C-13-1250(C)-T(3)-SSC
Output center Wavelength	λ	1275	1310	1350	nm	C-13-1250(C)-T(3)-SSC2
Output Spectrum Width	$\Delta\lambda$	-	-	4	nm	RMS(σ), C-13-1250(C)-T(3)-SSC
Output Spectrum Width	$\Delta\lambda$	-	-	2.5	nm	RMS(σ), C-13-1250(C)-T(3)-SSC2
Extinction Ratio	ER	9	-	-	dB	
Output Eye		Compliant with IEEE 802.3				
Optical Rise Time	t_r	-	-	0.26	ns	20% to 80% Values
Optical Fall Time	t_f	-	-	0.26	ns	20% to 80% Values
Relative Intensity Noise	RIN	-	-	-120	dB/Hz	
Total Jitter	TJ	-	-	0.27	ns	Measured with 2 ⁷ -1 PRBS

Transmitter Specifications

Parameter	Symbol	Min	Typical	Max	Unit	Notes
Power Supply Current	I_{CC}	-	-	180	mA	Maximum current is specified at V_{CC} = Maximum @ maximum temperature
Data Input Current-Low	I_{IL}	-350	-	-	μ A	
Data Input Current-High	I_{IH}	-	-	350	μ A	
Differential Input Voltage	$V_{IH}-V_{IL}$	300	-	-	mV	
Data Input Voltage-Low	$V_{IL}-V_{CC}$	-2.0	-	-1.58	V	These inputs are compatible with 10K, 10KH and 100K ECL and PECL inputs
Data Input Voltage-High	$V_{IH}-V_{CC}$	-1.1	-	-0.74	V	

C-13-1250(C)-T(3)-SSC(2)

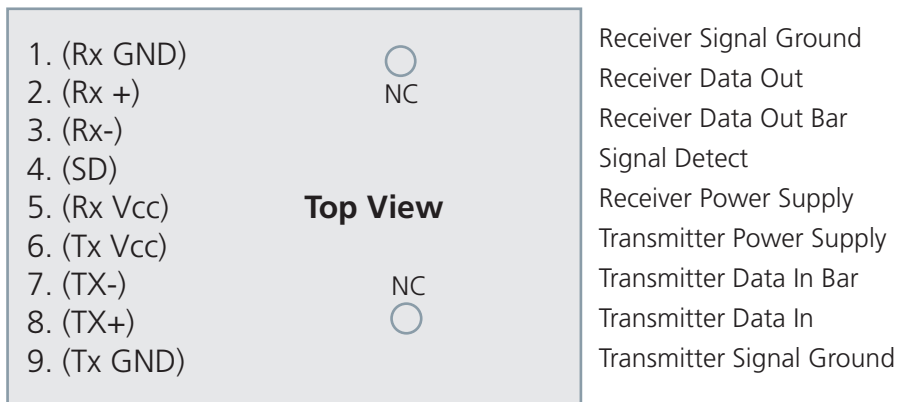
Receiver Specifications						
Parameter	Symbol	Min	Typical	Max	Unit	Notes
Sensitivity ²	-	-	-	-24	dBm	
Maximum Input Power	P _{in}	0	-	-	dBm	
Signal Detect-Asserted	P _a	-	-	-24	dBm	Measured on transition: low to high
Signal Detect-Deasserted	P _d	-38	-	-	dBm	Measured on transition: high to low
Signal Detect-Hysteresis		1	-	-	dB	
Wavelength of Operation		1100	-	1600	nm	

Note 2: Measured with 2⁷-1 PRBS, BER= 10⁻¹²

Receiver Specifications						
Parameter	Symbol	Min	Typical	Max	Unit	Note
Power Supply Current	I _{CC}	-	-	100	mA	The current excludes the output load current
Data output Voltage-Low	V _{OL} -V _{CC}	-2.0	-	-1.58	V	These outputs are compatible with 10K, 10KH and 100KECL and LVPECL outputs
Data output Voltage-High	V _{OH} -V _{CC}	-1.1	-	-0.74	V	
Signal Detect Output Voltage-Low	V _{SDL}	-	-	0.5	V	C-13-1250C-T(3)-SSC(2)
Signal Detect Output Voltage-High	V _{SDH}	2.0	-	-	V	
Signal Detect Output Voltage-Low	V _{SDL} -V _{CC}	-2.0	-	-1.58	V	C-13-1250-T(3)-SSC(2)
Signal Detect Output Voltage-High	V _{SDH} -V _{CC}	-1.1	-	-0.74	V	

C-13-1250(C)-T(3)-SSC(2)

Connection Diagram

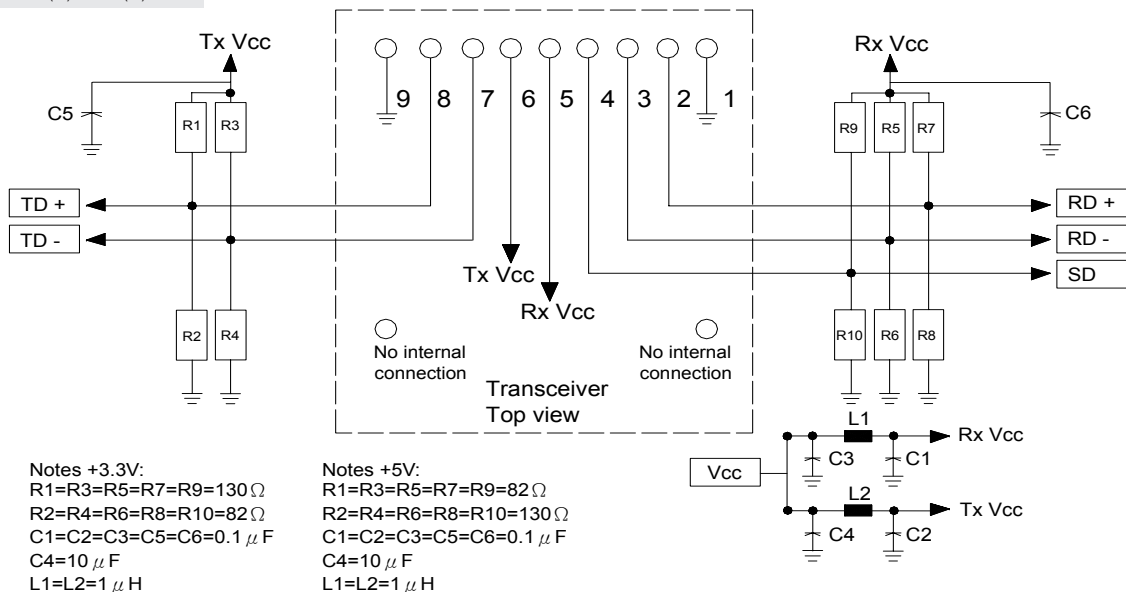


PIN	Symbol	Notes
1	RxGND	Directly connect this pin to the receiver ground plane
2	RD+	See recommended circuit schematic
3	RD-	See recommended circuit schematic
4	SD	Active high on this indicates a received optical signal
5	RxVcc	DC power for the receiver section
6	TxVcc	DC power for the transmitter section
7	TD-	See recommended circuit schematic
8	TD+	See recommended circuit schematic
9	TxGND	Directly connect this pin to the transmitter ground plane

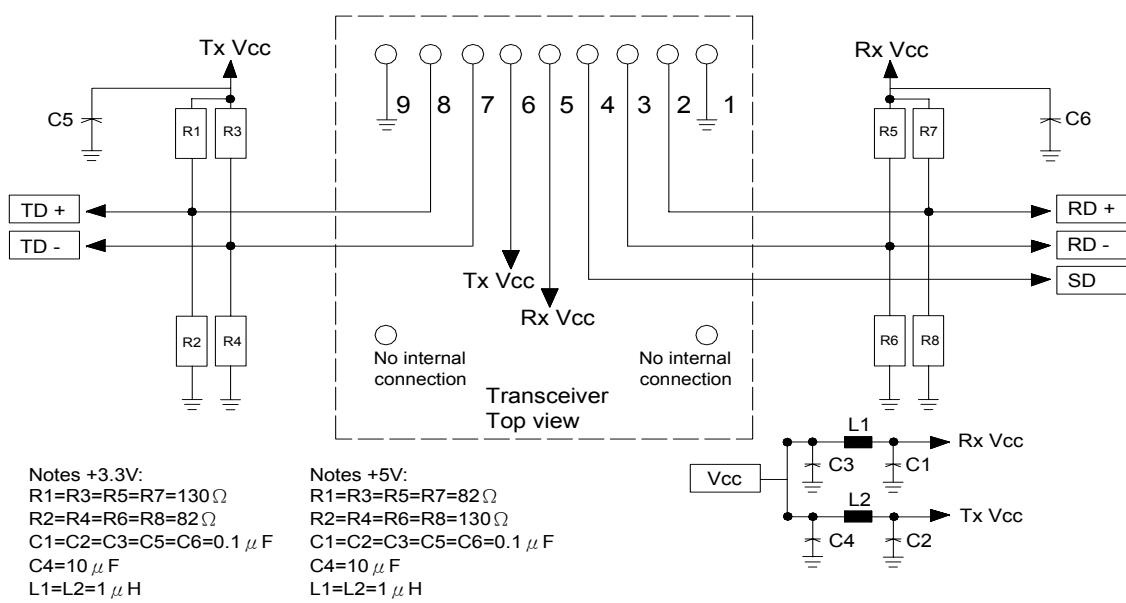
C-13-1250(C)-T(3)-SSC(2)

Recommended Circuit Schematic

C-13-1250-T(3)-SSC(2)

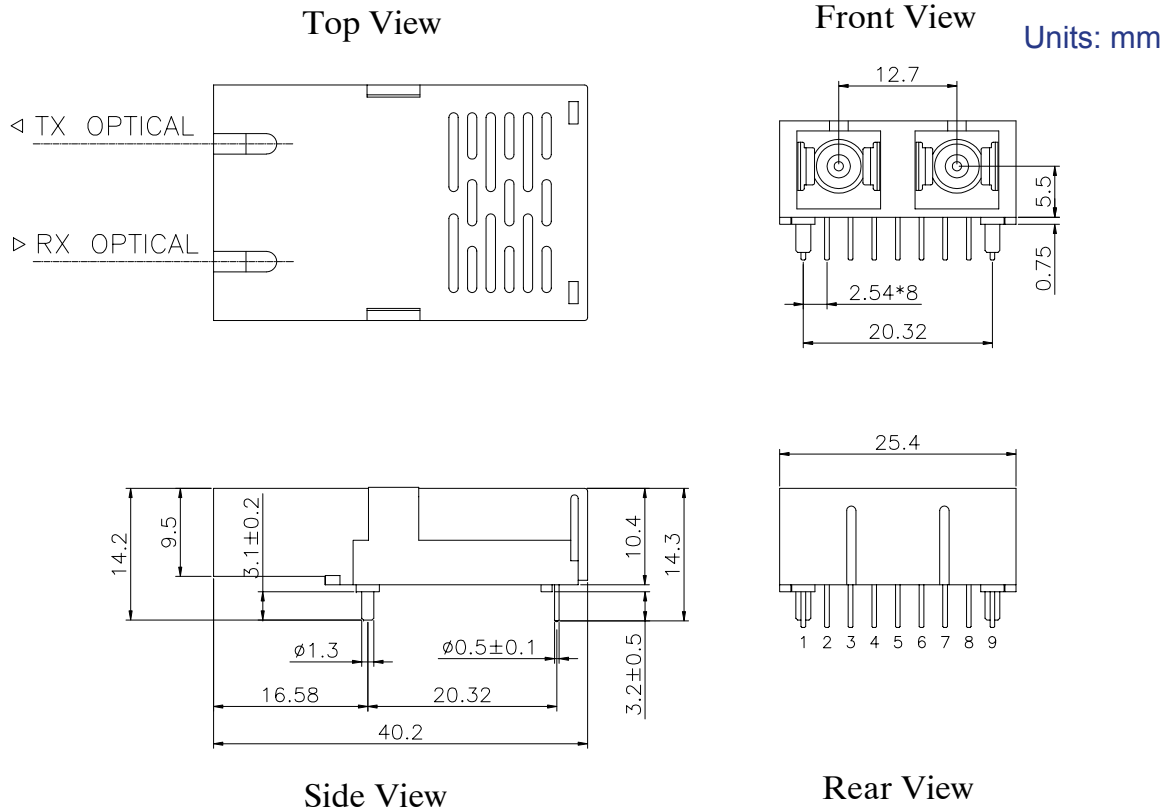


C-13-1250C-T(3)-SSC(2)



The split-loaded terminations for ECL signals need to be located at the input of devices receiving those ECL signals. The power supply filtering is required for good EMI performance. Use short tracks from the inductor L1/L2 to the module Rx Vcc. A GND plane under the module is required for good EMI and sensitivity performance.

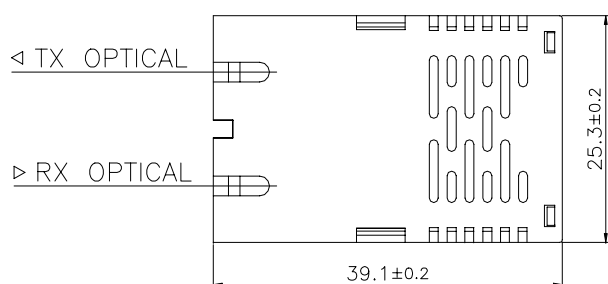
Package Diagram (10.4 mm SC transceiver assembly)



Package Option:
Blank, A = black case

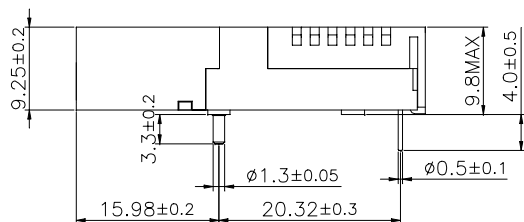
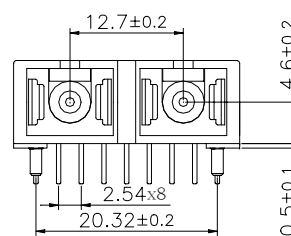
Package Diagram (9.8 mm SC transceiver assembly)

Top View

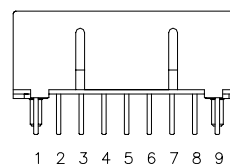


Front View

Units: mm



Side View



Rear View

Package Option :

B, E = Blue case

C, D = Black case

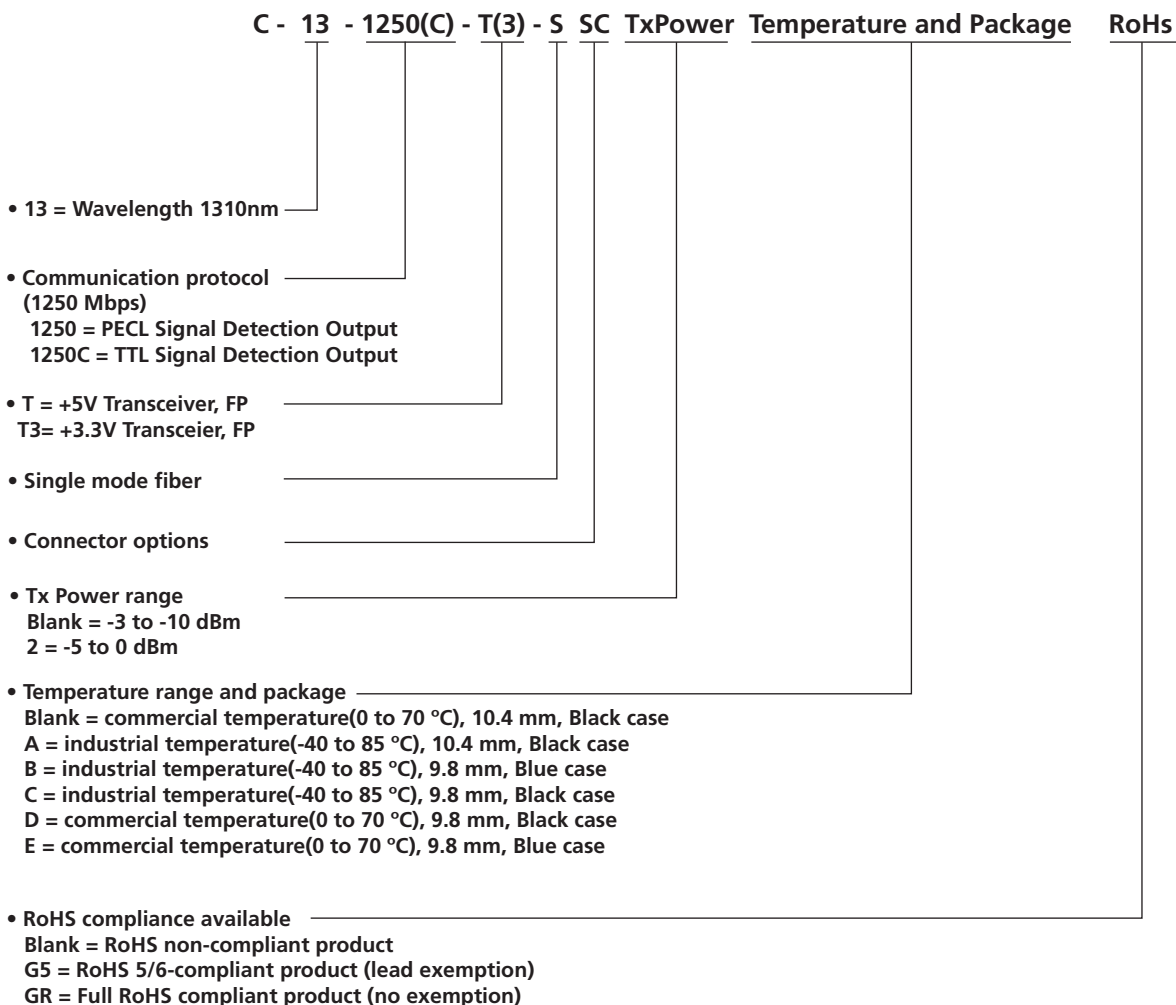
C-13-1250(C)-T(3)-SSC(2)

Ordering Information

Available Options:

C-13-1250-T-SSC(A/B/C/D/E)	C-13-1250-T-SSC(A/B/C/D/E)-G5	C-13-1250-T-SSC(A/B/C/D/E)-GR
C-13-1250C-T-SSC(A/B/C/D/E)	C-13-1250C-T-SSC(A/B/C/D/E)-G5	C-13-1250C-T-SSC(A/B/C/D/E)-GR
C-13-1250-T3-SSC(A/B/C/D/E)	C-13-1250-T3-SSC(A/B/C/D/E)-G5	C-13-1250-T3-SSC(A/B/C/D/E)-GR
C-13-1250C-T3-SSC(A/B/C/D/E)	C-13-1250C-T3-SSC(A/B/C/D/E)-G5	C-13-1250C-T3-SSC(A/B/C/D/E)-GR
C-13-1250-T-SSC2(A/B/C/D/E)	C-13-1250-T-SSC2(A/B/C/D/E)-G5	C-13-1250-T-SSC2(A/B/C/D/E)-GR
C-13-1250C-T-SSC2(A/B/C/D/E)	C-13-1250C-T-SSC2(A/B/C/D/E)-G5	C-13-1250C-T-SSC2(A/B/C/D/E)-GR
C-13-1250-T3-SSC2(A/B/C/D/E)	C-13-1250-T3-SSC2(A/B/C/D/E)-G5	C-13-1250-T3-SSC2(A/B/C/D/E)-GR
C-13-1250C-T3-SSC2(A/B/C/D/E)	C-13-1250C-T3-SSC2(A/B/C/D/E)-G5	C-13-1250C-T3-SSC2(A/B/C/D/E)-GR

Part numbering Definition:



Warnings:

Handling Precautions: This device is susceptible to damage as a result of electrostatic discharge (ESD). A static free environment is highly recommended. Follow guidelines according to proper ESD procedures.

Laser Safety: Radiation emitted by laser devices can be dangerous to human eyes. Avoid eye exposure to direct or indirect radiation.

Legal Notes:**IMPORTANT NOTICE!**

All information contained in this document is subject to change without notice, at LuminentOIC's sole and absolute discretion. LuminentOIC warrants performance of its products to current specifications only in accordance with the company's standard one-year warranty; however, specifications designated as "preliminary" are given to describe components only, and LuminentOIC expressly disclaims any and all warranties for said products, including express, implied, and statutory warranties, warranties of merchantability, fitness for a particular purpose, and non-infringement of proprietary rights. Please refer to the company's Terms and Conditions of Sale for further warranty information.

LuminentOIC assumes no liability for applications assistance, customer product design, software performance, or infringement of patents, services, or intellectual property described herein. No license, either express or implied, is granted under any patent right, copyright, or intellectual property right, and LuminentOIC makes no representations or warranties that the product(s) described herein are free from patent, copyright, or intellectual property rights. Products described in this document are NOT intended for use in implantation or other life support applications where malfunction may result in injury or death to persons. LuminentOIC customers using or selling products for use in such applications do so at their own risk and agree to fully defend and indemnify LuminentOIC for any damages resulting from such use or sale.

THE INFORMATION CONTAINED IN THIS DOCUMENT IS PROVIDED ON AN "AS IS" BASIS. Customer agrees that LuminentOIC is not liable for any actual, consequential, exemplary, or other damages arising directly or indirectly from any use of the information contained in this document. Customer must contact LuminentOIC to obtain the latest version of this publication to verify, before placing any order, that the information contained herein is current.

© LuminentOIC, Inc. 2003
All rights reserved