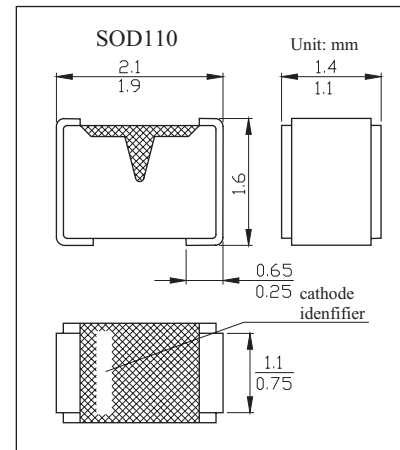


## Zener Diodes

### BZX284 Series



#### ■ Features

- Total Power Dissipation: Max. 400mW
- Two Tolerance Series:  $\pm 2\%$  and  $\pm 5\%$
- Working Voltage Range: Nom. 2.4 to 75V

#### ■ Absolute Maximum Ratings (Ta = 25°C)

Parameter	Symbol	Rating	Unit
Total Power Dissipation	$P_{tot}$	400	mW
Continuous Forward Current	$I_F$	250	mA
Forward Voltage @ $I_F = 10\text{mA}$	$V_F$	0.9	V
Junction temperature	$T_j$	150	°C
Storage temperature	$T_{stg}$	-65 to +150	°C

#### ■ Electrical Characteristics (Ta = 25°C)

BZX284 B or C XXX	Working voltage $V_z$ (V) @ $I_z = 5\text{mA}$				Differential resistance $R_{dif}$ ( $\Omega$ )				Temp. Coeff. $S_z$ (mV/K) @ $I_z = 2\text{mA}$	Diode Cap. $C_d$ (pF) @ $f = 1\text{MHz};$ $V_R = 0\text{V}$	Non-repetitive peak reverse current $I_{zSM}$ (A) @ $t_p = 100\ \mu\text{s}$	Marking				
	$\pm 2\%$ (B)		$\pm 5\%$ (C)		@ $I_z = 1\text{mA}$		@ $I_z = 5\text{mA}$					Typ.	Max.	Max.	$\pm 2\%$	$\pm 5\%$
	Min.	Max.	Min.	Max.	Typ.	Max.	Typ.	Max.								
2V4	2.35	2.45	2.2	2.6	275	400	70	100	-1.6	450	12.0	WO	YO			
2V7	2.65	2.75	2.5	2.9	300	450	75	100	-2.0	440	12.0	WP	YP			
3V0	2.94	3.06	2.8	3.2	325	500	80	95	-2.1	425	12.0	WQ	YQ			
3V3	3.23	3.37	3.1	3.5	350	500	85	95	-2.4	410	12.0	WR	YR			
3V6	3.53	3.67	3.4	3.8	375	500	85	90	-2.4	390	12.0	WS	YS			
3V9	3.82	3.98	3.7	4.1	400	500	85	90	-2.5	370	12.0	WT	YT			
4V3	4.21	4.39	4.0	4.6	410	600	80	90	-2.5	350	12.0	WU	YU			
4V7	4.61	4.79	4.4	5.0	425	500	50	80	-1.4	325	12.0	WV	YV			
5V1	5.00	5.20	4.8	5.4	400	480	40	60	-0.8	300	12.0	WW	YW			
5V6	5.49	5.71	5.2	6.0	80	400	15	40	1.2	275	12.0	WX	YX			

## BZX284 Series

BZX284 B or C XXX	Working voltage $V_z$ (V) @ $I_z = 5\text{mA}$				Differential resistance $R_{dif}$ ( $\Omega$ )				Temp. Coeff. $S_z$ (mV/K) @ $I_z = 2\text{mA}$	Diode Cap. $C_d$ (pF) @ $f = 1\text{MHz};$ $V_R = 0\text{V}$	Non-repetitive peak reverse current $I_{zSM}$ (A) @ $t_p = 100\mu\text{s}$	Marking				
	$\pm 2\%$ (B)		$\pm 5\%$ (C)		@ $I_z = 1\text{mA}$		@ $I_z = 5\text{mA}$					Typ.	Max.	Max.	$\pm 2\%$	$\pm 5\%$
	Min.	Max.	Min.	Max.	Typ.	Max.	Typ.	Max.								
6V2	6.08	6.32	5.8	6.6	40	150	6	10	2.3	250	12.0	WY	YY			
6V8	6.66	6.94	6.4	7.2	30	80	6	15	3.0	215	12.0	WZ	YYZ			
7V5	7.35	7.65	7.0	7.9	15	80	2	10	4.0	170	4.0	XA	ZA			
8V2	8.04	8.36	7.7	8.7	20	80	2	10	4.6	150	4.0	XB	ZB			
9V1	8.92	9.28	8.5	9.6	20	100	2	10	5.5	120	3.0	XC	ZC			
10	9.80	10.20	9.4	10.6	20	150	2	10	6.4	110	3.0	XD	ZD			
11	10.80	11.20	10.4	11.6	25	150	2	10	7.4	108	2.5	XE	ZE			
12	11.80	12.20	11.4	12.7	25	150	2	10	8.4	105	2.5	XF	ZF			
13	12.70	13.30	12.4	14.1	25	170	2	10	9.4	103	2.5	XG	ZG			
15	14.70	15.30	13.8	15.6	25	200	3	15	11.4	99	2.0	XH	ZH			
16	15.70	16.30	15.3	17.1	25	200	4	20	12.4	97	1.5	XI	ZI			
18	17.60	18.40	16.8	19.1	25	225	4	20	14.4	93	1.5	XJ	ZJ			
20	19.60	20.40	18.8	21.2	30	225	4	20	16.4	88	1.5	XK	ZK			
22	21.60	22.40	20.8	23.3	30	250	5	25	18.4	84	1.25	XL	ZL			
24	23.50	24.50	22.8	25.6	30	250	6	30	20.4	80	1.25	XM	ZM			
27	26.50	27.50	25.1	28.9	35	250	8	40	23.4	73	1.0	XN	ZN			
30	29.40	30.60	28.0	32.0	35	250	10	40	26.6	66	1.0	XO	ZO			
33	32.30	33.70	31.0	35.0	40	275	11	40	29.7	60	0.9	XP	ZP			
36	35.30	36.70	34.0	38.0	40	300	15	60	33.0	59	0.8	XQ	ZQ			
39	38.20	39.80	37.0	41.0	40	300	25	75	36.4	58	0.7	XR	ZR			
43	42.10	43.90	40.0	46.0	45	325	30	80	41.2	56	0.6	XS	ZS			
47	46.10	47.90	44.0	50.0	45	325	30	90	46.1	55	0.5	XT	ZT			
51	50.00	52.00	48.0	54.0	45	350	35	110	51.0	52	0.4	XU	ZU			
56	54.90	57.10	52.0	60.0	50	375	40	120	57.0	49	0.3	XV	ZV			
62	60.80	63.20	58.0	66.0	60	400	50	140	64.4	44	0.3	XW	ZW			
68	66.60	69.40	64.0	72.0	75	400	55	160	71.7	40	0.25	XX	ZX			
75	73.50	76.50	70.0	79.0	85	400	70	175	80.2	35	0.2	XY	ZY			