



CHENMKO ENTERPRISE CO.,LTD

SINGLE-PHASE GLASS PASSIVATED SILICON BRIDGE RECTIFIER

VOLTAGE RANGE 50 - 1000 Volts CURRENT 1.0 Ampere

**DB101PT
THRU
DB107PT**

Lead free devices

FEATURES

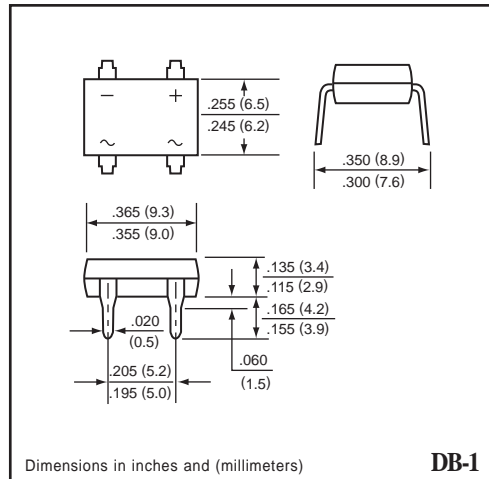
- * Good for automatic insertion
- * Surge overload rating - 50 Amperes peak
- * Glass passivated device
- * Ideal for printed circuit board
- * Reliable low cost construction utilizing molded

MECHANICAL DATA

Case: JEDEC DB-1 molded plastic
Terminals: Plated leads solderable per MIL-STD-750, Method 2026
Mounting position: Any
Polarity: Polarity symbols marked on body
Weight: 1.0 gram

MAXIMUM RATINGS AND ELECTRICAL CHARACTERISTICS

Ratings at 25°C ambient temperature unless otherwise specified.
 Single phase, half wave, 60 Hz, resistive or inductive load.
 For capacitive load, derate current by 20%.



MAXIMUM RATINGS (At TA = 25°C unless otherwise noted)

RATINGS	SYMBOL	DB101PT	DB102PT	DB103PT	DB104PT	DB105PT	DB106PT	DB107PT	UNITS
Maximum Recurrent Peak Reverse Voltage	V _{RRM}	50	100	200	400	600	800	1000	Volts
Maximum RMS Voltage	V _{RMS}	35	70	140	280	420	560	700	Volts
Maximum DC Blocking Voltage	V _{DC}	50	100	200	400	600	800	1000	Volts
Maximum Average Forward Rectified Current at TA = 40°C	I _O	1.0							Amps
Peak Forward Surge Current 8.3 ms single half sine-wave superimposed on rated load (JEDEC method)	I _{FSM}	50							Amps
Operating and Storage Temperature Range	T _J , T _{STG}	-65 to +150							°C

ELECTRICAL CHARACTERISTICS (At TA = 25°C unless otherwise noted)

CHARACTERISTICS	SYMBOL	DB101PT	DB102PT	DB103PT	DB104PT	DB105PT	DB106PT	DB107PT	UNITS
Maximum Instantaneous Forward Voltage at 1.0 A DC	V _F	1.1							Volts
Maximum Reverse Current at rated	I _R	10							uAmps
DC blocking Voltage per element		0.5							mAmps

RATING CHARACTERISTIC CURVES (DB101PT THRU DB107PT)

FIG. 1 - TYPICAL FORWARD CURRENT DERATING CURVE

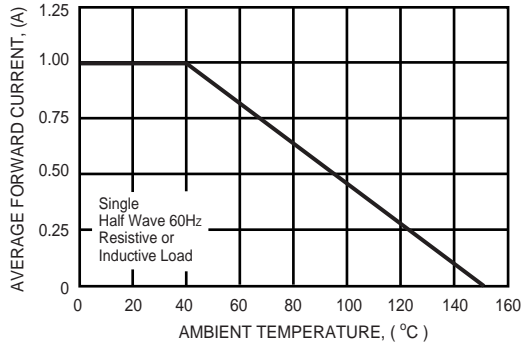


FIG. 2 - MAXIMUM NON-REPETITIVE FORWARD SURGE CURRENT

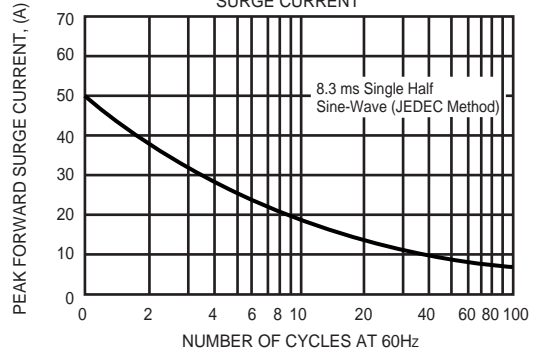


FIG. 3 - TYPICAL INSTANTANEOUS FORWARD CHARACTERISTICS

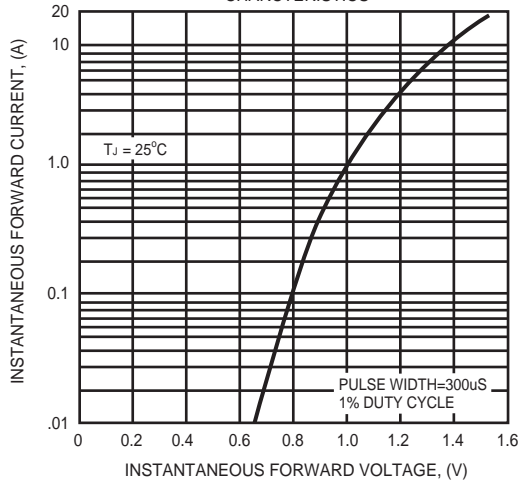


FIG. 4 - TYPICAL REVERSE CHARACTERISTICS

