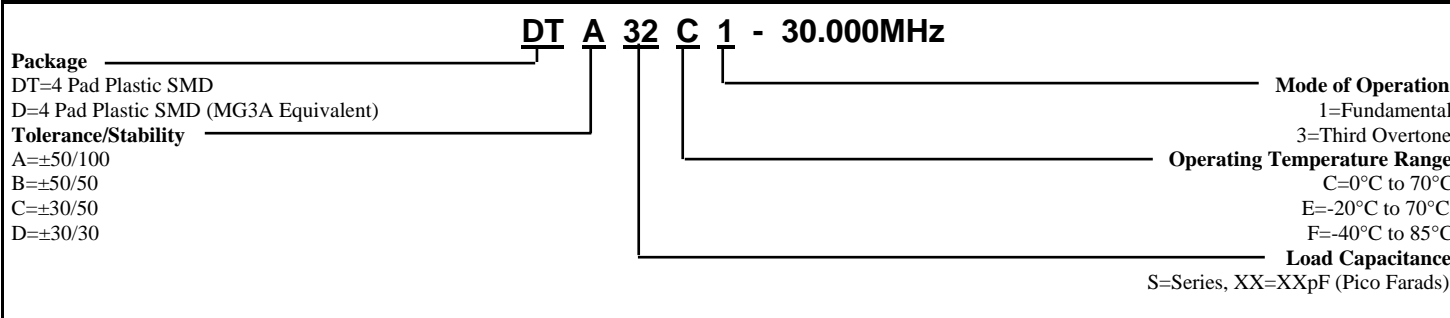


**PART NUMBERING GUIDE**

**Environmental/Mechanical Specifications on page F5**



**ELECTRICAL SPECIFICATIONS**

Revision: 1994-B

|  |  |
|--|--|
| <b>Frequency Range</b>   | 3.579545MHz to 70.000MHz   |
| <b>Frequency Tolerance/Stability</b><br>A, B, C, D                       | See above for details!<br>Other Combinations Available. Contact Factory for Custom Specifications. |
| <b>Operating Temperature Range</b><br>"C" Option, "E" Option, "F" Option | 0°C to 70°C, -20°C to 70°C (D Series Only), -40°C to 85°C (D Series Only)                          |
| <b>Aging @ 25°C</b>  | ±5ppm / year Maximum   |
| <b>Storage Temperature Range</b>   | -55°C to 125°C   |
| <b>Load Capacitance</b><br>"S" Option<br>"XX" Option                     | Series<br>8pF to 50pF  |
| <b>Shunt Capacitance</b>   | 7pF Maximum  |
| <b>Insulation Resistance</b>   | 500 Megaohms Minimum at 100Vdc   |
| <b>Drive Level</b>   | 1mW Maximum, 100uW correlation   |

**EQUIVALENT SERIES RESISTANCE (ESR) MARKING GUIDE**

| Frequency (MHz)   | ESR (ohms) | <div style="border: 1px solid black; padding: 5px; width: fit-content; margin: auto;">                     Line 1: Caliber<br/>                     Line 2: Part Number<br/>                     Line 3: Frequency<br/>                     Line 4: Date Code                 </div> | Frequency (MHz)  | ESR (ohms) |
|-------------------|------------|--|------------------|------------|
| 3.579545 to 3.999 | 200        |  | 10.000 to 12.999 | 60         |
| 4.000 to 4.999    | 150        |  | 13.000 to 19.999 | 35         |
| 5.000 to 6.999    | 120        |  | 20.000 to 30.000 | 25         |
| 7.000 to 8.999    | 80         |  | 30.000 to 70.000 | 100        |

**MECHANICAL DIMENSIONS**

