

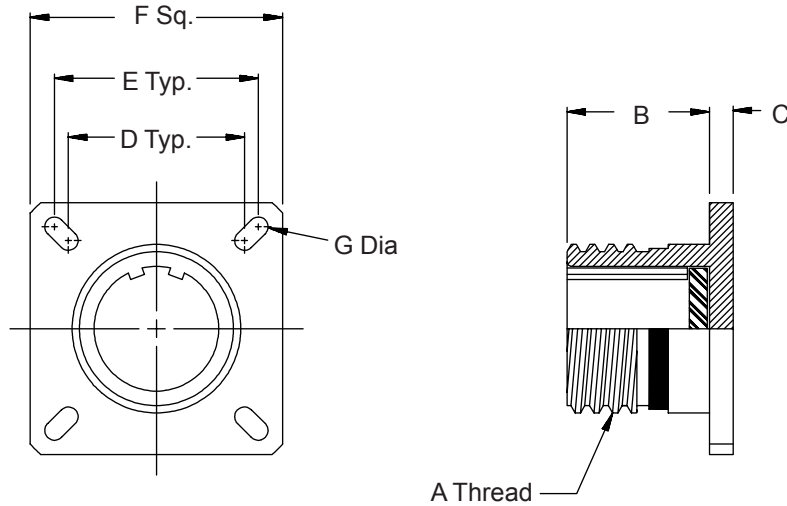
# D38999/22 Dummy Stowage Receptacle



Dummy  
Stowage  
Receptacles

**Mating Connector**  
**MIL-DTL-38999**  
**Series III**

**D38999/22 B W**  
Basic Part No. \_\_\_\_\_  
Shell Size Code \_\_\_\_\_  
Class Per Spec. (Finish is Cadmium  
Olive Drab Over Electroless Nickel)



**TABLE I**

Shell Size Code	Shell Size Ref.	A Thread	B -0.0 +0.020 (0.5)	C ±0.12 (0.3)	D
A	9	.625-.1P-3LTS	.823 (20.9)	.098 (2.5)	.594 (15.09)
B	11	.750-.1P-3LTS	.823 (20.9)	.098 (2.5)	.719 (18.26)
C	13	.875-.1P-3LTS	.823 (20.9)	.098 (2.5)	.812 (20.62)
D	15	1.000-.1P-3LTS	.823 (20.9)	.098 (2.5)	.906 (23.01)
E	17	1.187-.1P-3LTS	.823 (20.9)	.098 (2.5)	.969 (24.61)
F	19	1.250-.1P-3LTS	.823 (20.9)	.098 (2.5)	1.062 (26.97)
G	21	1.375-.1P-3LTS	.791 (20.1)	.126 (3.2)	1.156 (29.36)
H	23	1.500-.1P-3LTS	.791 (20.1)	.126 (3.2)	1.250 (31.75)
J	25	1.625-.1P-3LTS	.791 (20.1)	.126 (3.2)	1.375 (34.93)

**TABLE II**

Shell Size Code	Shell Size Ref.	E	F ±0.12 (0.3)	G Dia ±.008 (0.2)
A	9	.719 (18.26)	.937 (23.8)	.128 (3.25)
B	11	.812 (20.62)	1.031 (26.2)	.128 (3.25)
C	13	.906 (23.01)	1.126 (28.6)	.128 (3.25)
D	15	.969 (24.61)	1.220 (31.0)	.128 (3.25)
E	17	1.062 (26.97)	1.311 (33.3)	.128 (3.25)
F	19	1.156 (29.36)	1.437 (36.5)	.128 (3.25)
G	21	1.250 (31.75)	1.563 (39.7)	.128 (3.25)
H	23	1.375 (34.93)	1.689 (42.9)	.154 (3.91)
J	25	1.500 (38.10)	1.811 (46.0)	.154 (3.91)

1. For complete dimensions see applicable Military Specification.
2. Metric dimensions (mm) are indicated in parentheses.