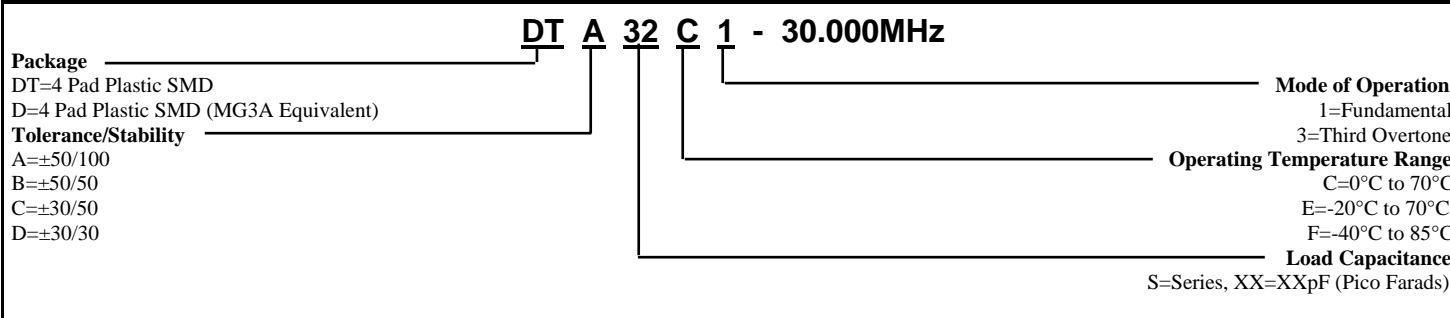


**PART NUMBERING GUIDE**

**Environmental/Mechanical Specifications on page F5**



**ELECTRICAL SPECIFICATIONS**

**Revision: 1994-B**

<b>Frequency Range</b>	3.579545MHz to 70.000MHz
<b>Frequency Tolerance/Stability</b> A, B, C, D	See above for details! Other Combinations Available. Contact Factory for Custom Specifications.
<b>Operating Temperature Range</b> "C" Option, "E" Option, "F" Option	0°C to 70°C, -20°C to 70°C (D Series Only), -40°C to 85°C (D Series Only)
<b>Aging @ 25°C</b>	±5ppm / year Maximum
<b>Storage Temperature Range</b>	-55°C to 125°C
<b>Load Capacitance</b> "S" Option "XX" Option	Series 8pF to 50pF
<b>Shunt Capacitance</b>	7pF Maximum
<b>Insulation Resistance</b>	500 Megaohms Minimum at 100Vdc
<b>Drive Level</b>	1mW Maximum, 100uW correlation

**EQUIVALENT SERIES RESISTANCE (ESR) MARKING GUIDE**

Frequency (MHz)	ESR (ohms)	Line 1: Caliber Line 2: Part Number Line 3: Frequency Line 4: Date Code	Frequency (MHz)	ESR (ohms)
3.579545 to 3.999	200		10.000 to 12.999	60
4.000 to 4.999	150		13.000 to 19.999	35
5.000 to 6.999	120		20.000 to 30.000	25
7.000 to 8.999	80		30.000 to 70.000	100

**MECHANICAL DIMENSIONS**

