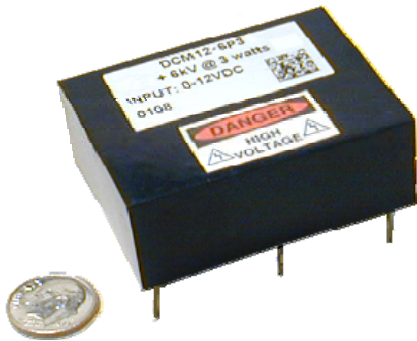


DCM12 Series

Proportional DC-DC High Voltage Modules

DESCRIPTION

The DCM Series of PCB mountable high voltage DC-DC power supplies are designed for demanding laboratory and OEM applications. The power supplies feature output voltages proportional to the input voltage for voltages up to 6kV. The modules are fully encapsulated in epoxy resin for protection against humidity and environment.



FEATURES

- 0-12VDC Input
- Zero to Full Output (proportional to input)
- Positive and Negative Models
- Modules up to 6kV Output
- 3 Watts Output Power
- Short-Circuit Protected
- Rugged, Encapsulated Module
- Sine-wave Topology
- Low Ripple

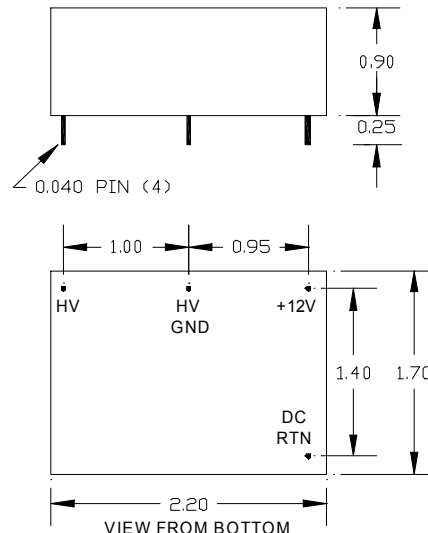
APPLICATIONS

- Photomultipliers
- Ionizers
- High Voltage Biasing
- CRT Grid Circuits
- Biasing
- Dielectric Testing
- Piezoelectric Drivers
- Electrostatic Chucks
- Sealing Applications
- Ink Jet Printers
- Photo Detectors

MECHANICAL

- Dimensions 2.2" x 1.7" x 0.9"
- Pins: 0.040" Diameter
- Weight: 4.0 Ounces
- Operating Temperature Range: -40°C to +70°C

Model	Output Polarity	Output Voltage Range	Maximum Output Current
DCM12-4N3	Negative	0-4.0kV	750uA
DCM12-4P3	Positive	0-4.0kV	750uA
DCM12-6N3	Negative	0-6.0kV	500uA
DCM12-6P3	Positive	0-6.0kV	500uA



GENERAL INFORMATION

Custom requirements are welcome. Modifications to existing products and completely new designs are a standard part of our business. Our extensive design inventory and the use of our CAD/CAM design and manufacture allows for prompt and cost competitive quotations as well as reliable prototyping capabilities. Please feel free to contact us to discuss your custom requirements.