

FEATURES

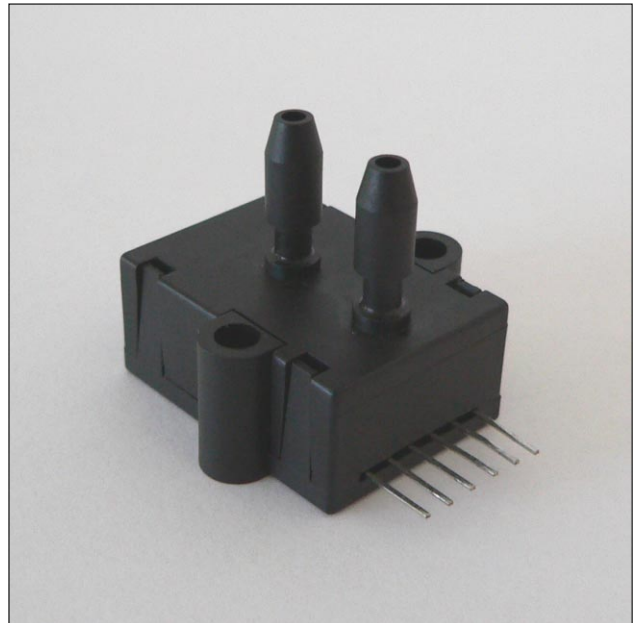
- Ranges from 1 to 30 "H₂O gage or differential
- Precision temperature compensated
- Calibrated offset and span
- Extremely low position sensitivity
- Excellent long term stability

SERVICE

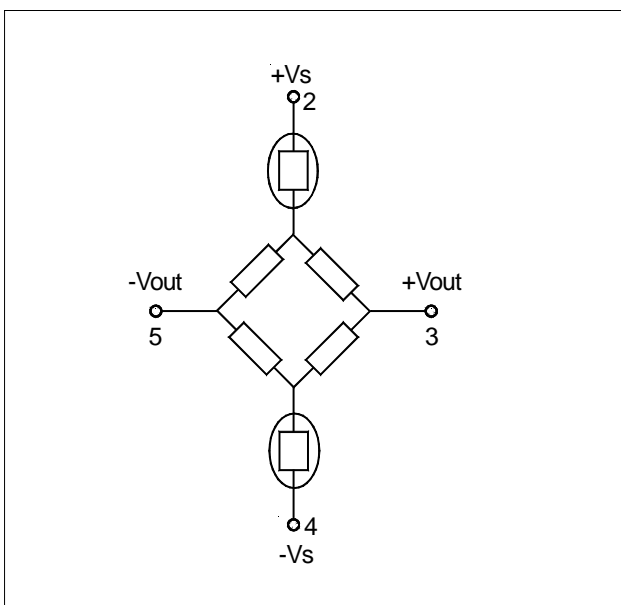
Non-corrosive, non-ionic working fluids such as clean dry air, dry gases and the like.

The media wetted materials are:

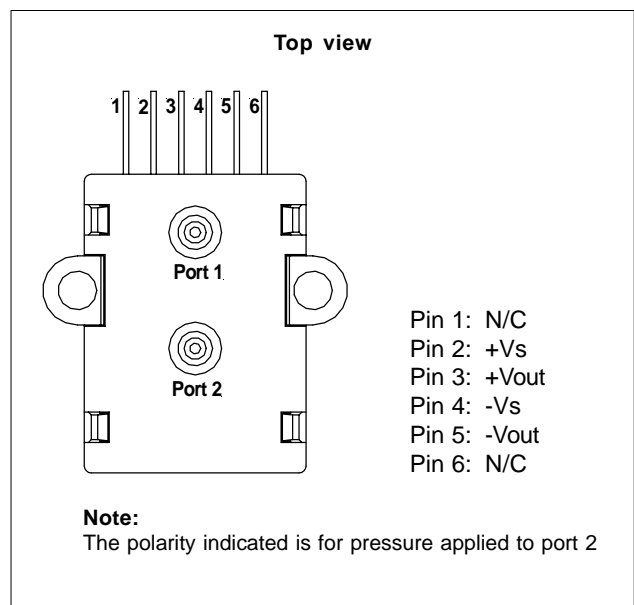
- silicon
- glass filled nylon
- silicone
- ceramic (Al₂O₃)
- gold



EQUIVALENT CIRCUIT



ELECTRICAL CONNECTION



SPECIFICATIONS

Maximum ratings (for all devices)

Supply voltage V_s	0 to 16 V
Common-mode pressure	50 psig
Lead temperature (soldering 5 seconds)	315 °C

Environmental specifications (for all devices)

Temperature range	
Compensated	0 to 50°C
Operating	-25 to 85°C
Storage	-40 to 125°C
Humidity limits (non-condensing)	0 to 95 %RH

PRESSURE SENSOR CHARACTERISTICS

Part no.	Operating pressure	Max. over pressure ¹
DCXL01DS	1 "H ₂ O	5 psi
DCXL05DS	5 "H ₂ O	5 psi
DCXL10DS	10 "H ₂ O	5 psi
DCXL20DS	20 "H ₂ O	5 psi
DCXL30DS	30 "H ₂ O	5 psi

DCXL01DS PERFORMANCE CHARACTERISTICS

$V_s = 12\text{ V}$, $T_A = 25\text{ °C}$, common-mode pressure = 0 psig, pressure applied to port 2

Characteristics	Min.	Typ.	Max.	Unit
Zero pressure offset	-0.5	0	+0.5	mV
Full scale span (FSS) ²	9	10	11	
Combined non-linearity and hysteresis ³			±0.25	%FSS
Temperature effects (0 to 50°C) ⁴	Span		±200	μV
	Offset		±250	
Offset warm-up shift ⁵		±100		
Offset position sensitivity (±1 g)		±50		
Input resistance		4.5		kΩ
Output resistance		1.5		
Common mode voltage ⁶		6		V

DCXL05DS PERFORMANCE CHARACTERISTICS

$V_s = 12\text{ V}$, $T_A = 25\text{ °C}$, common-mode pressure = 0 psig, pressure applied to port 2

Characteristics	Min.	Typ.	Max.	Unit
Zero pressure offset	-0.5	0	+0.5	mV
Full scale span (FSS) ²	19	20	21	
Combined non-linearity and hysteresis ³			±0.25	%FSS
Temperature effects (0 to 50°C) ⁴	Span		±200	μV
	Offset		±150	
Offset warm-up shift ⁵		±50		
Offset position sensitivity (±1 g)		±10		
Input resistance		10		kΩ
Output resistance		1.5		
Common mode voltage ⁶		6		V

DCXL10DS PERFORMANCE CHARACTERISTICS

$V_s = 12\text{ V}$, $T_A = 25\text{ °C}$, common-mode pressure = 0 psig, pressure applied to port 2

Characteristics	Min.	Typ.	Max.	Unit
Zero pressure offset	-0.5	0	+0.5	mV
Full scale span (FSS) ²	19	20	21	
Combined non-linearity and hysteresis ³			±0.25	%FSS
Temperature effects (0 to 50°C) ⁴	Span		±200	μV
	Offset		±150	
Offset warm-up shift ⁵		±50		
Offset position sensitivity (±1 g)		±10		
Input resistance		13		kΩ
Output resistance		1.5		
Common mode voltage ⁶		6		V

DCXL20DS PERFORMANCE CHARACTERISTICS

$V_s = 12\text{ V}$, $T_A = 25\text{ °C}$, common-mode pressure = 0 psig, pressure applied to port 2

Characteristics	Min.	Typ.	Max.	Unit
Zero pressure offset	-0.5	0	+0.5	mV
Full scale span (FSS) ²	19	20	21	
Combined non-linearity and hysteresis ³			±0.25	%FSS
Temperature effects (0 to 50°C) ⁴	Span		±200	μV
	Offset		±150	
Offset warm-up shift ⁵		±50		
Offset position sensitivity (±1 g)		±5		
Input resistance		10		kΩ
Output resistance		2		
Common mode voltage ⁶		6		V

DCXL30DS PERFORMANCE CHARACTERISTICS

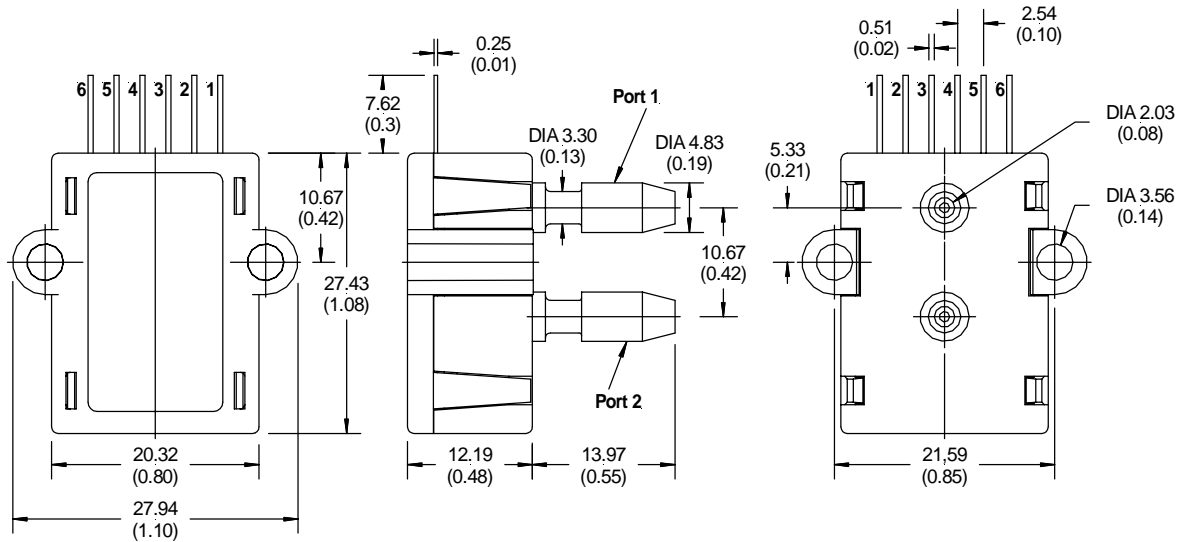
$V_s = 12\text{ V}$, $T_A = 25\text{ °C}$, common-mode pressure = 0 psig, pressure applied to port 2

Characteristics	Min.	Typ.	Max.	Unit
Zero pressure offset	-0.5	0	+0.5	mV
Full scale span (FSS) ²	19	20	21	
Combined non-linearity and hysteresis ³			±0.25	%FSS
Temperature effects (0 to 50°C) ⁴	Span		±200	μV
	Offset		±150	
Offset warm-up shift ⁵		±50		
Offset position sensitivity (±1 g)		±5		
Input resistance		12		kΩ
Output resistance		1.5		
Common mode voltage ⁶		6		V

Notes

- ¹ The maximum over pressure may be applied without causing durable shifts of the electrical parameters of the sensing element.
- ² Full scale span (FSS) is the algebraic difference between the output voltage at full-scale pressure and the output at zero pressure.
- ³ Non-linearity refers to the **Best Straight Line** fit measured for offset pressure, full-scale pressure and ½ full-scale pressure.
- ⁴ Shift is relative to 25°C.
- ⁵ Shift within the first hour of excitation applied to the sensor.
- ⁶ This is the common mode voltage of the output arms (pin 3 and 5) for $V_s = 12\text{ V}$

OUTLINE DRAWING



mass: approx. 10 g

dimensions in mm (inches)

ORDERING INFORMATION

Pressure range	Order part number
	Gage, differential devices
1 "H ₂ O	DCXL01DS
5 "H ₂ O	DCXL05DS
10 "H ₂ O	DCXL10DS
20 "H ₂ O	DCXL20DS
30 "H ₂ O	DCXL30DS

Sensortech reserves the right to make changes to any products herein. Sensortech does not assume any liability arising out of the application or use of any product or circuit described herein, neither does it convey any license under its patent rights nor the rights of others.