

DD233

Version : A.010
Issue Date : 2004/6/4
File Name : SP-DD233-A.010.doc
Total Pages : 10

4-CHANNEL CONSTANT CURRENT LED DRIVERS



新竹市科學園區展業一路9號7樓之1
SILICON TOUCH TECHNOLOGY INC.
9-7F-1, Prosperity Road 1, Science Based Industrial Park,
Hsin-Chu, Taiwan 300, R.O.C.
Tel : 886-3-5645656 Fax : 886-3-5645626



DD233

4-CHANNEL CONSTANT CURRENT LED DRIVERS

DESCRIPTION

The DD233 is a 4-channel constant current LED driver. It's designed to operate as a constant-current sink to drive the LEDs with an external resistance in low power environment. Because the DD233 directly determines output current by each channel in low Bit-to-Bit skew, it is ideal for driving LED whose light intensity is proportional to the current passing through them, not the voltage across their terminals. The ENABLE provides the low power stand by function for mobile applications.

This configuration eliminates the need of external capacitors and inductances. With an input voltage range of 2.7V to 6V, so the device can work in general battery system. The value of constant current can be varied using an external resistor ($I_{out} = 5 \sim 30\text{mA}$).

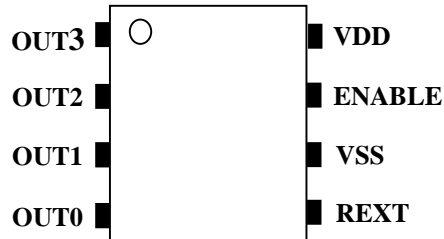
GENERAL FEATURES

- Constant Current Output, 5~30mA.
- Supply Voltage VDD is 2.7V to 6V.
- Bit-to-Bit : $\pm 3.0\%$ (Max) @ $I_{OUT} = 5 \sim 30\text{mA}$.
- Only Need One External Resistor, No Other External Parts.
- 8-Pin SOP8 or MSOP8 Package.

APPLICATIONS

- Digital Cameras
- Portable MP3 Players
- White LED Display Backlighting
- Cellular Telephones
- Handheld Computers
- Pagers
- Personal Digital Assistant
- E-Books and Sub Notebooks

Pin Description



PIN NAME	DESCRIPTION
VDD	Power supply terminal
Rext	Input terminal of an external resistor
GND	Ground terminal
ENABLE	Output enable terminal
Out0 to Out3	Output terminal

Maximum Ratings (Ta = 25°C, Tj(max) = 150°C)

CHARACTERISTIC	SYMBOL	RATING	UNIT
Supply Voltage	VDD	-0.5~7	V
Output Current	IOUT	30	mA
Output Voltage	VOUT	~17	V
GND Terminal Current	IGND	120	mA
Power Dissipation	PD	0.44	W
Operating Temperature	T _{op}	-20 ~ 85	°C
Storage Temperature	T _{stg}	-55 ~ 150	°C

Recommended Operating Condition

CHARACTERISTIC	SYMBOL	CONDITION	MIN.	TYP.	MAX.	UNIT
Supply Voltage	VDD	—	2.7	3.3	6	V
Output Voltage	VOUT	—	0.2	0.6	5.0	V
Output Current	I _O	Outn	5	—	30	mA
Operating temperature	T _{OPR}	—	-20	—	85	°C

Electrical Characteristics (Typ:VDD = 3.3 V, Ta = 25°C unless otherwise noted)

CHARACTERISTIC	SYMBOL	CONDITION	MIN.	TYP.	MAX.	UNIT
Output Current (Bit-Bit)	IOL1	VOUT = 1 V REXT = 12kΩ	—	±1.5	±3	%
	IOL2	VOUT = 0.5 REXT = 60kΩ	—	±1.5	±3	%
Output Current (Chip-Chip)	IOL3	VOUT = 1.0V, REXT = 12kΩ	26.3	29.2	32.1	mA
	IOL4	VOUT = 0.5V, REXT = 60kΩ	4.8	5.31	5.8	mA

Detailed Description

1) Constant Current Output Value Setting

The output current is determined by the resistance connected between REXT pin and GND. The approximate relation between the resistance value and the base current value is shown in Fig1, the approximate equation presented in (Eq.1).

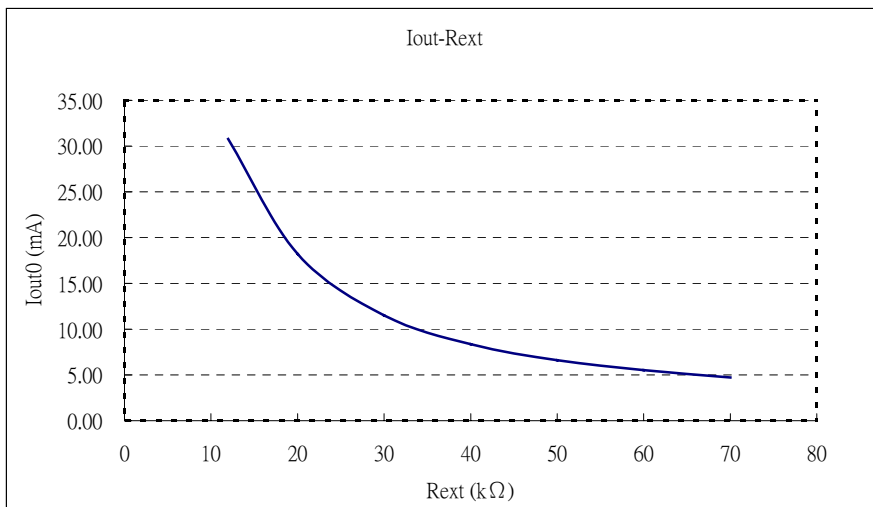


Fig 1

$$I_{out} \cong 350.4/R_{ext} \quad (\text{Eq.1})$$

2) Constant Current Output Value and Output Voltage

In order to obtain a good constant current output, a suitable output voltage is necessary. Users can get related information about the minimum output voltage from Fig 2.

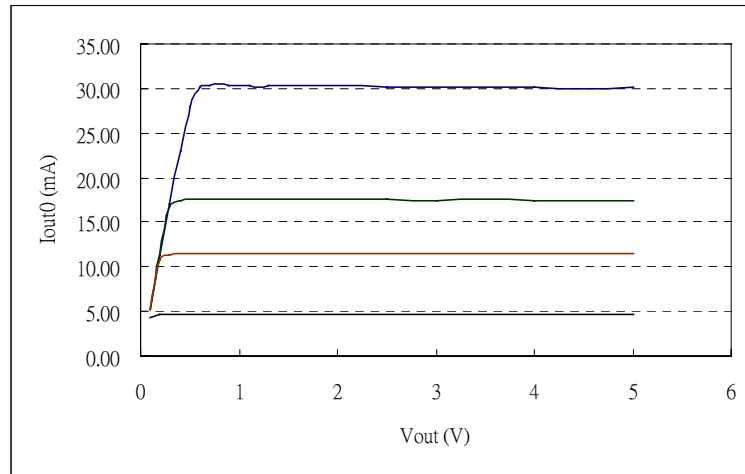
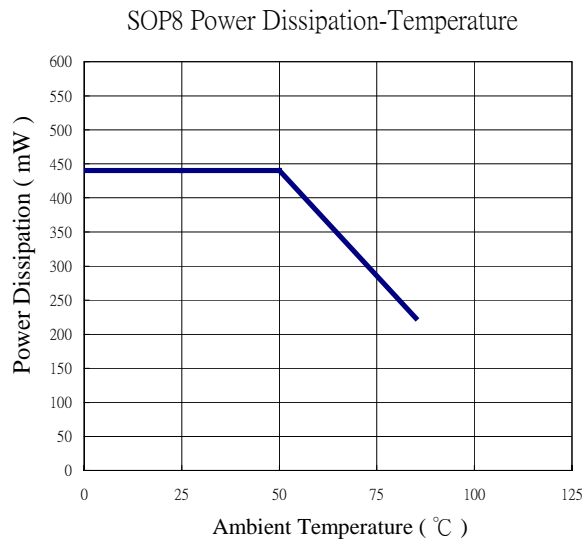


Fig 2

3) Power Dissipation

The recommended power dissipation versus temperature is depicted as follows:



TYPICAL APPLICATION

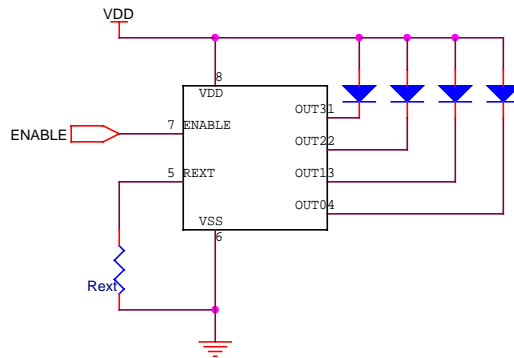
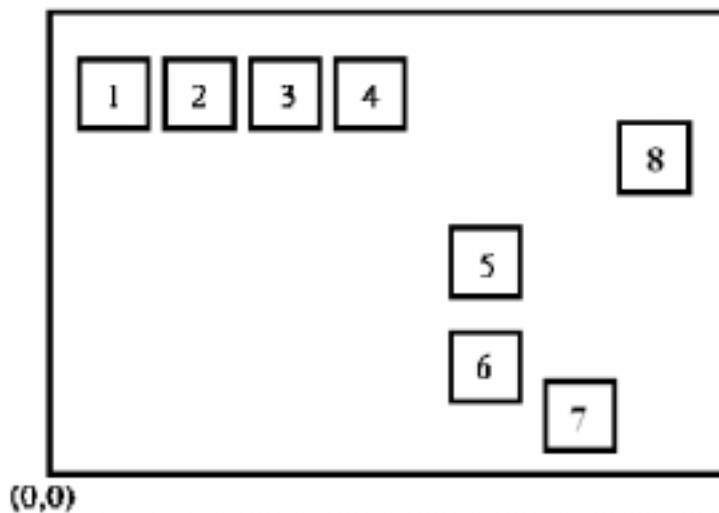


Fig 3

DIE CONFIGURATION (UNIT: μM)



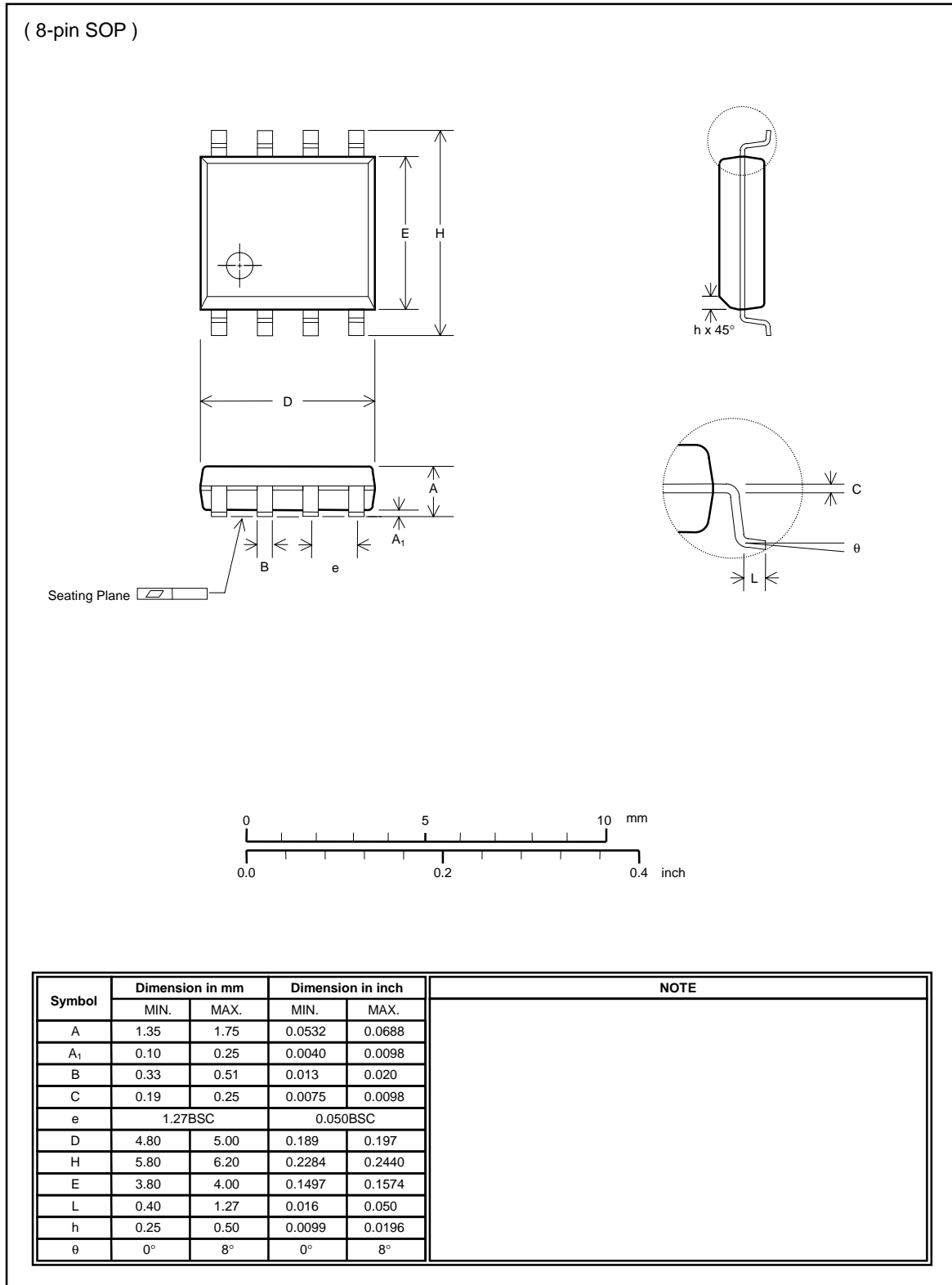
Die Size: 984.3X643.8

Die Thickness: 300

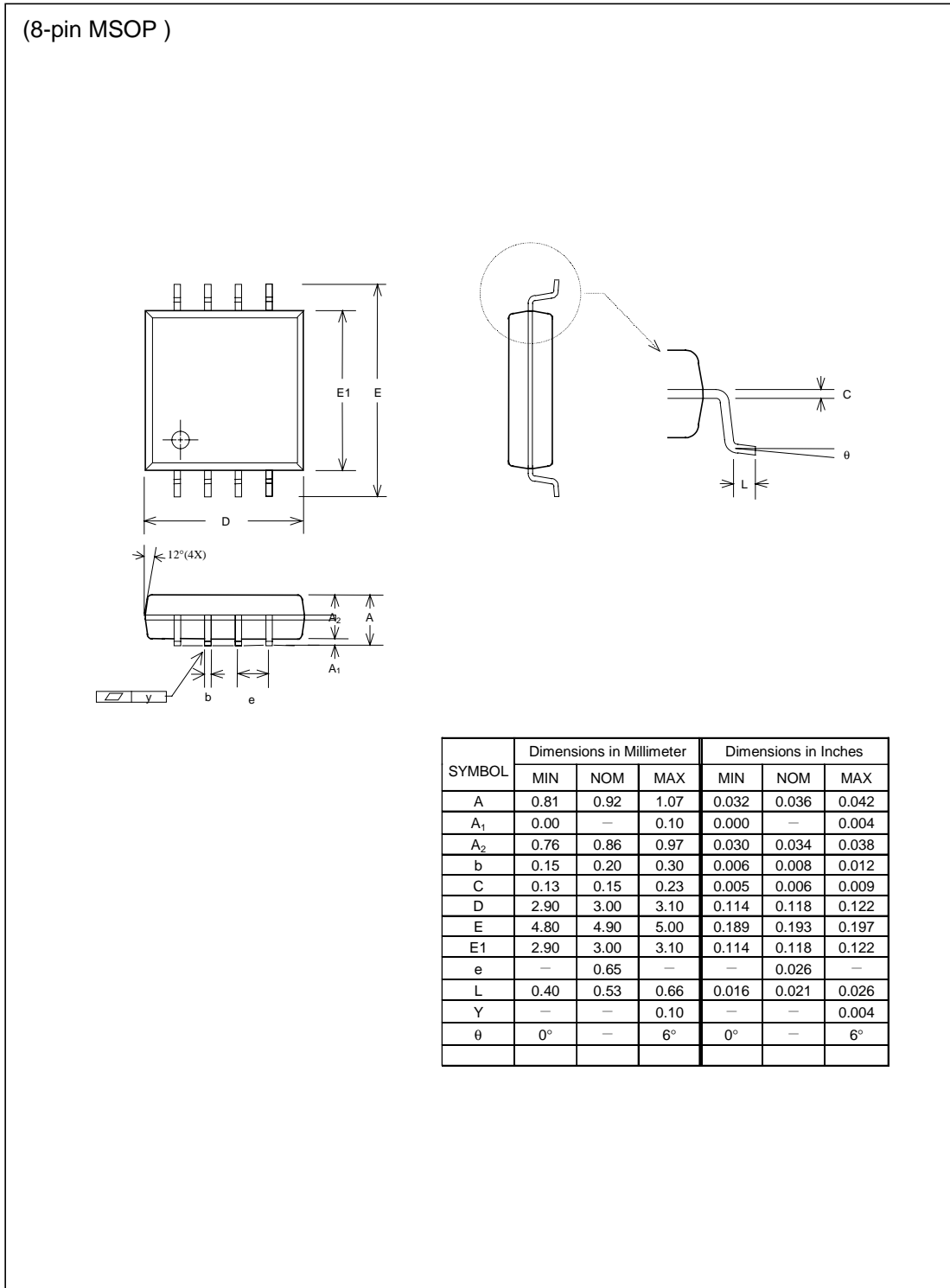
Pad Size: 80X80

Pin NO.	PAD Name	Center Coordinate (X,Y)	
1	Out0	80.5	564.1
2	Out1	202.1	564.1
3	Out2	323.7	564.1
4	Out2	445.3	564.1
5	Rext	581.3	391.85
6	GND	586.5	224.9
7	EN	724.1	70.8
8	VDD	913.9	419.25

Package Specification (SOP8)



Package Specification (MSOP8)





The products listed herein are designed for ordinary electronic applications, such as electrical appliances, audio-visual equipment, communications devices and so on. Hence, it is advisable that the devices should not be used in medical instruments, surgical implants, aerospace machinery, nuclear power control systems, disaster/crime-prevention equipment and the like. Misusing those products may directly or indirectly endanger human life, or cause injury and property loss.

Silicon Touch Technology, Inc. will not take any responsibilities regarding the misuse of the products mentioned above. Anyone who purchases any products described herein with the above-mentioned intention or with such misused applications should accept full responsibility and indemnify. Silicon Touch Technology, Inc. and its distributors and all their officers and employees shall defend jointly and severally against any and all claims and litigation and all damages, cost and expenses associated with such intention and manipulation.