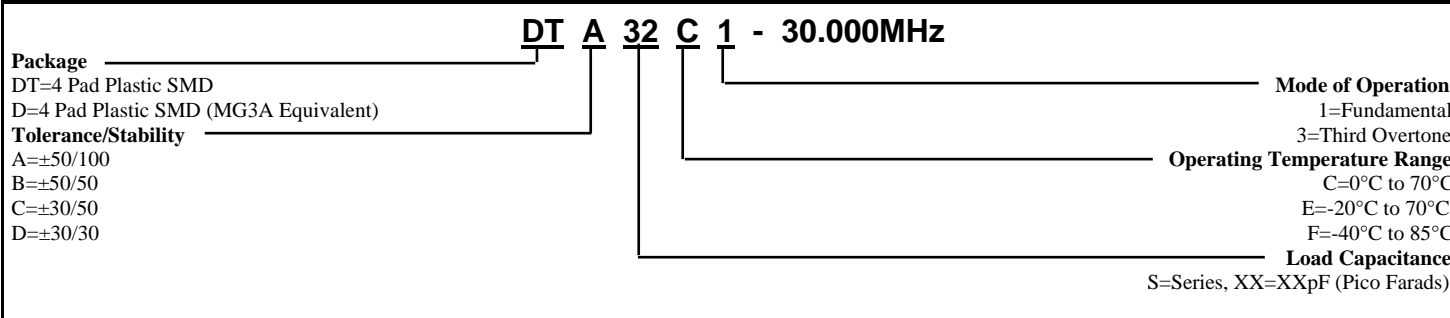


PART NUMBERING GUIDE

Environmental/Mechanical Specifications on page F5



ELECTRICAL SPECIFICATIONS

Revision: 1994-B

Frequency Range	3.579545MHz to 70.000MHz
Frequency Tolerance/Stability A, B, C, D	See above for details! Other Combinations Available. Contact Factory for Custom Specifications.
Operating Temperature Range "C" Option, "E" Option, "F" Option	0°C to 70°C, -20°C to 70°C (D Series Only), -40°C to 85°C (D Series Only)
Aging @ 25°C	±5ppm / year Maximum
Storage Temperature Range	-55°C to 125°C
Load Capacitance "S" Option "XX" Option	Series 8pF to 50pF
Shunt Capacitance	7pF Maximum
Insulation Resistance	500 Megaohms Minimum at 100Vdc
Drive Level	1mW Maximum, 100uW correlation

EQUIVALENT SERIES RESISTANCE (ESR) MARKING GUIDE

Frequency (MHz)	ESR (ohms)	Line 1: Caliber Line 2: Part Number Line 3: Frequency Line 4: Date Code	Frequency (MHz)	ESR (ohms)
3.579545 to 3.999	200		10.000 to 12.999	60
4.000 to 4.999	150		13.000 to 19.999	35
5.000 to 6.999	120		20.000 to 30.000	25
7.000 to 8.999	80		30.000 to 70.000	100

MECHANICAL DIMENSIONS

