

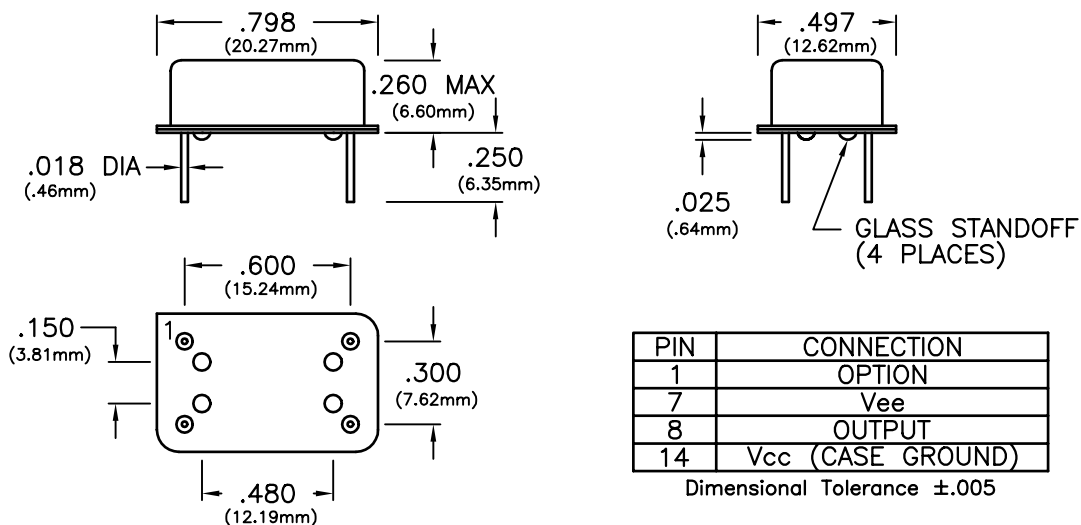


CONNOR-WINFIELD CORPORATION

AURORA, IL. 60505
 PHONE (630) 851-4722
 FAX (630) 851-5040

14 PIN DIP ECL

| SPECIFICATIONS | E01-51* | E01-52* | E01-53* | E01-54* |
|---|--|--|--------------------------------|---------|
| Frequency Range | 10MHz to 400MHz | | | |
| Frequency Stability | ±25ppm | ±50ppm | ±100ppm | ±20ppm |
| | (Inclusive of calibration tolerance at 25°C, operating temperature range, input voltage change, load change, aging, shock and vibration) | | | |
| Temperature Range | 0°C to +70°C | | | |
| Output | Waveform | ECL Squarewave, 100K Compatible | | |
| | Voltage | Voh | -1.025 Minimum , -0.88 Maximum | |
| | | Vol | -1.81 Minimum , -1.62 Maximum | |
| | Duty Cycle | 45/55 Maximum measured at 50% level | | |
| | Rise/Fall Time | 1.5nS Maximum | | |
| | Jitter | 10pS rms Maximum | | |
| Output must be terminated into 50 ohms to -2Vdc referenced to Vcc | | | | |
| Supply Voltage | -5.2Vdc ±5% | | | |
| Supply Current | 85mA Maximum | | | |
| Package | All metal, hermetically sealed, welded package | | | |
| Options * | 0 | Pin 1: No Connection | | |
| | 1 | Pin 1: Complementary Output | | |
| | 2 | Pin 1: Enable/Disable Enable; Low Level, Vil (-1.60V Max) , Disable; High Level, Vih (-1.02V Min) NOTE: When oscillator is disabled the output is in a low state (vol) | | |
| (add letter to end of model number) | | | | |



Specifications subject to change without notice

BULLETIN #: EC094
 PAGE 1 OF 2

REV: 00
 DATE: 11/27/95

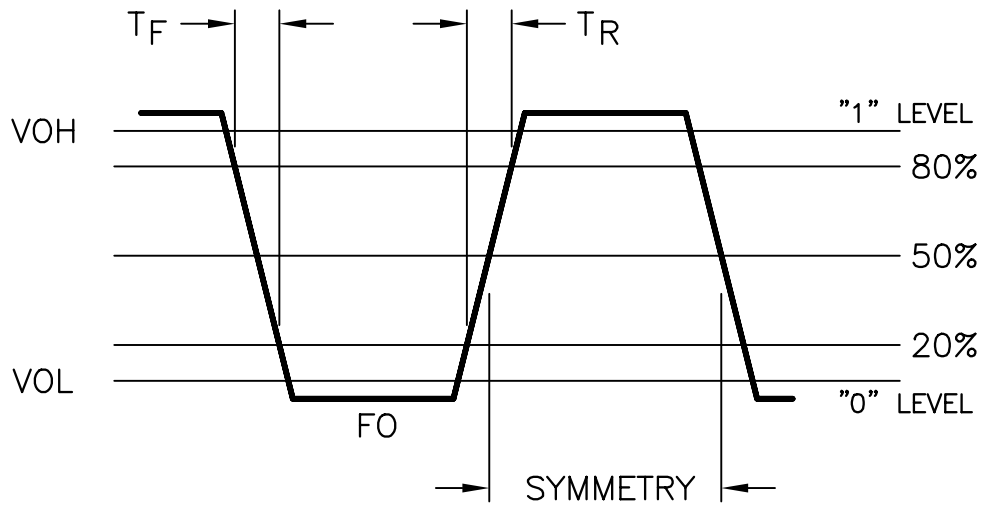
ISSUED BY: _____



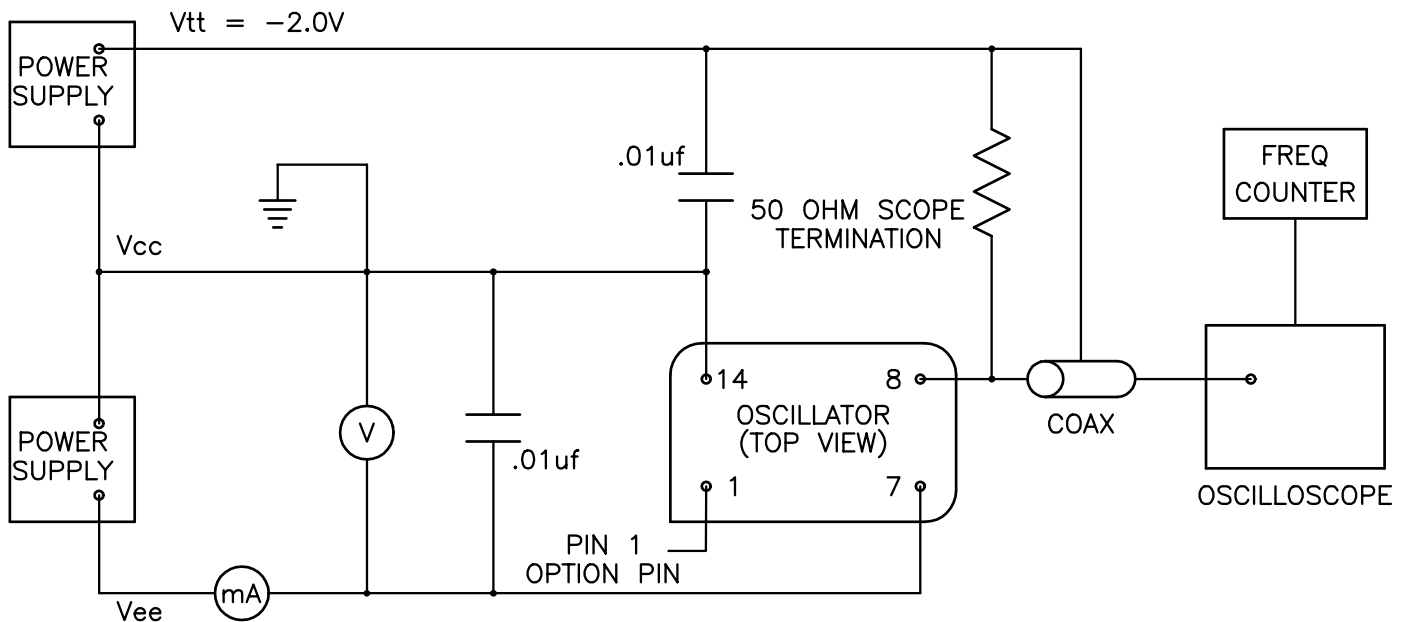
CONNOR-WINFIELD CORPORATION

AURORA, IL. 60505
PHONE (630) 851-4722
FAX (630) 851-5040

OUTPUT WAVEFORM



TEST CIRCUIT



Specifications subject to change without notice

BULLETIN #: EC094
PAGE 2 OF 2

REV: 00
DATE: 11/27/95

ISSUED BY: _____