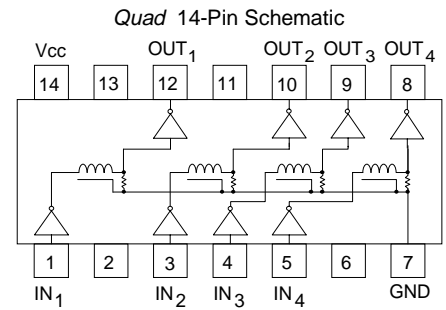
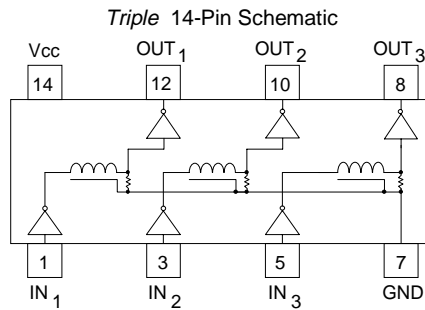


FAST / TTL Logic Buffered Triple & Quad Delays Modules

Uniform or Various Delays in 14-Pin DIP & SMD Packages

Electrical Specifications at 25°C

Delay (ns)	FAST Buffered Multi-Line Triple P/N	Quadruple P/N
4 ± 1.00	FAI3D-4	FAI4D-4
5 ± 1.00	FAI3D-5	FAI4D-5
6 ± 1.00	FAI3D-6	FAI4D-6
7 ± 1.00	FAI3D-7	FAI4D-7
8 ± 1.00	FAI3D-8	FAI4D-8
10 ± 1.50	FAI3D-10	FAI4D-10
15 ± 2.00	FAI3D-15	FAI4D-15
16 ± 2.00	FAI3D-16	FAI4D-16
20 ± 2.00	FAI3D-20	FAI4D-20
25 ± 2.00	FAI3D-25	FAI4D-25
30 ± 2.00	FAI3D-30	FAI4D-30
50 ± 2.50	FAI3D-50	FAI4D-50



To Specify G-SMD
add "G" suffix to P/N

FAI4D-M Series: Variety of Delays per Part
Refer to Delay tolerances for similar delays above

FAST Logic Multi-Line / Multi-Delay P/N	Line 1 (ns) Pin 1 to Pin 12	Line 2 (ns) Pin 3 to Pin 10	Line 3 (ns) Pin 4 to Pin 9	Line 4 (ns) Pin 5 to Pin 8
FAI4D-M01	4.0	5.0	6.0	7.0
FAI4D-M02	4.0	4.0	8.0	8.0
FAI4D-M03	5.0	5.0	10.0	10.0
FAI4D-M04	4.0	6.0	8.0	10.0
FAI4D-M05	6.0	6.0	12.0	12.0
FAI4D-M06	5.0	7.5	10.0	12.5
FAI4D-M07	7.5	7.5	15.0	15.0
FAI4D-M08	8.0	8.0	16.0	16.0
FAI4D-M09	10.0	10.0	20.0	20.0
FAI4D-M10	5.0	5.0	20.0	20.0
FAI4D-M11	10.0	10.0	20.0	20.0
FAI4D-M12	4.0	8.0	16.0	32.0

OPERATING SPECIFICATIONS

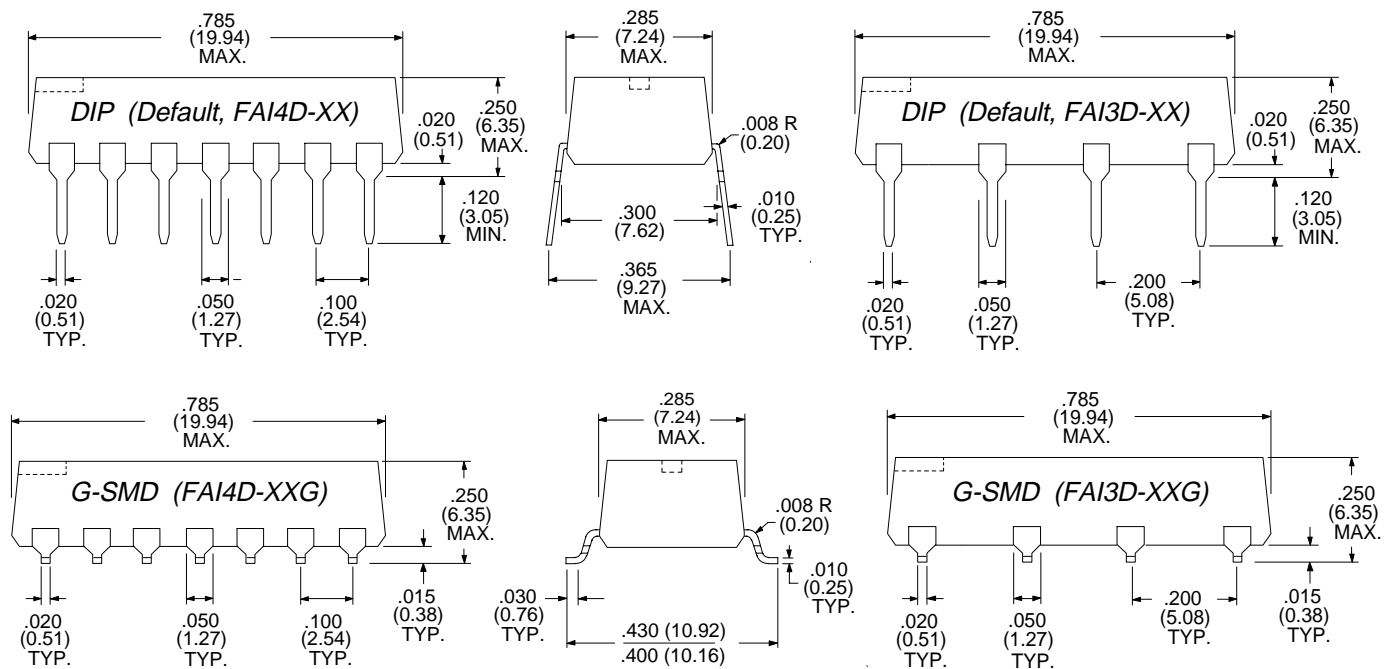
V _{CC} Supply Voltage	5.00 ± 0.25 VDC
I _{CC} Supply Current (3D)	45 mA typ., 95 mA max.
I _{CC} Supply Current (4D)	65 mA typ., 130 mA max.
Logic "1" Input: V _{IH}	2.00 V min., 5.50 V max.
I _{IH}	20 µA max. @ 2.70V
Logic "0" Input: V _{IL}	0.80 V max.
I _{IL}	-0.6 mA max
V _{OH} Logic "1" Voltage Out	2.40 V min.
V _{OL} Logic "0" Voltage Out	0.50 V max.
P _{wi} Input Pulse Width	100% of Delay
Operating Temperature Range	0° to 70°C
Storage Temperature Range	-65° to +150°C

TEST CONDITIONS

(Measurements made at 25°C)

V _{CC} Supply Voltage	5.00VDC
Input Pulse Voltage	3.20V
Input Pulse Rise Time	3.0 ns max.
Input Pulse Period	500 ns
Input Pulse Width	1000 ns

Dimensions in Inches (mm)



Specifications subject to change without notice.

For other values & Custom Designs, contact factory.

www.rhombus-ind.com • sales@rhombus-ind.com • TEL: (714) 898-0960 • FAX: (714) 896-0971