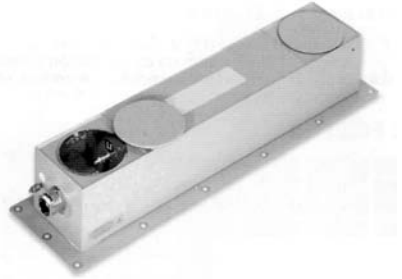


FC2-FC4 (150KHz/10 GHz)

Screened Room Filters

These high performance filters are indispensable for shielded rooms needing to guarantee a full clean mains supply. In both series an attenuation equal or better to 100 dB is kept under the range of frequency considered (150KHz / 10GHz).

FC2 Series are offered as a two lines filter (phase and neutral) and FC4 series as four lines filters (3 phases and neutral).



The main technical specifications are:

Mains voltage: 250/440 Vac; 50/60 Hz; 600 Vdc.

Current rating: 1,4 In during 15 min.

Ambient temperature: -40°C+40°C.

Test voltage: 1200Vdc during 2s.

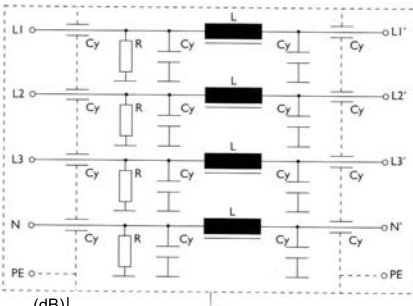
(line/line/line/earth)

Product List

Type	I	Power Loss	Leakage Current	Weight (Kg)
FC-210	10 Amp	8 W	0,5 Amp	7
FC-216	16 Amp	14,4 W	0,6 Amp	8
FC-225	25 Amp	12,5 W	0,8 Amp	9
FC-240	40 Amp	20 W	1 Amp	11
FC-263	63 Amp	31,5 W	0,8 Amp	25
FC-285	85 Amp	34 W	1 Amp	26

Type	I	Power Loss	Leakage Current	Weight (Kg)
FC-416	16 Amp	14,4 W	0,6 Amp	16
FC-425	25 Amp	12,5 W	0,8 Amp	18
FC-440	40 Amp	20 W	1 Amp	22
FC-463	63 Amp	31,5 W	0,8 Amp	50
FC-485	85 Amp	34 W	1 Amp	52
FC-4125	125 Amp	50 W	1,2 Amp	60

FC4



FC2

