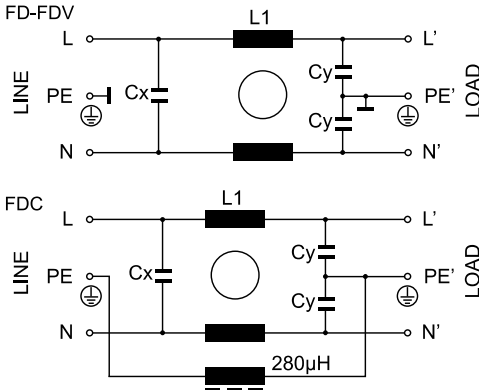


# FD/FDC/FDV

## IEC Connector Filter

### Electrical schematics



RFI Power Line Filters



### General Specifications

Maximum operating voltage: 250Vac.  
 Operating frequency: DC - 60Hz.  
 Hipot test voltage: L/N->PE: 1800Vac 2s.  
 L->N: 1700 Vdc 2s.

Application class:  
 HPF Acc. TO DIN 40040  
 (-25°C/+85°C/95% RH, 30d).  
 Flammability class: UL 94 V2.

### IEC connector filter

IEC connector filter. General purpose.  
 FD: IEC connector filter.  
 FDC: With earth inductor. High immunity.  
 FDV: With voltage protection.

### Product List

TYPE	I	L1	CX	CY	HOUSING	L.CURRENT	CONNECTION	WEIGHT ±g
FD-1X	1 Amp	2 mH	10 nF	2,2 nF	242	0,21mA	AWG18 WIRE	62
FD-1Z					241		FASTON 6,3mm	50
FD-3X	3 Amp	1,3 mH	10 nF	2,2 nF	242	0,21mA	AWG18 WIRE	52
FD-3Z					241		FASTON 6,3mm	51
FD-6X	6 Amp	0,8 mH	10 nF	2,2 nF	242	0,21mA	AWG18 WIRE	62
FD-6Z					241		FASTON 6,3mm	55
FDC-1X	1 Amp	2 mH	10 nF	2,2 nF	244	0,21mA	AWG18 WIRE	110
FDC-1Z					243		FASTON 6,3mm	100
FDC-3X	3 Amp	1,3 mH	10 nF	2,2 nF	244	0,21mA	AWG18 WIRE	102
FDC-3Z					243		FASTON 6,3mm	92
FDC-6X	6 Amp	0,8 mH	10 nF	2,2 nF	244	0,21mA	AWG18 WIRE	120
FDC-6Z					243		FASTON 6,3mm	110
FDV-1X	1 Amp	2 mH	10 nF	2,2 nF	244	0,21mA	AWG18 WIRE	110
FDV-1Z					243		FASTON 6,3mm	100
FDV-3X	3 Amp	1,3 mH	10 nF	2,2 nF	244	0,21mA	AWG18 WIRE	102
FDV-3Z					243		FASTON 6,3mm	92
FDV-6X	6 Amp	0,8 mH	10 nF	2,2 nF	244	0,21mA	AWG18 WIRE	120
FDV-6Z					243		FASTON 6,3mm	110

### Insertion Loss

