

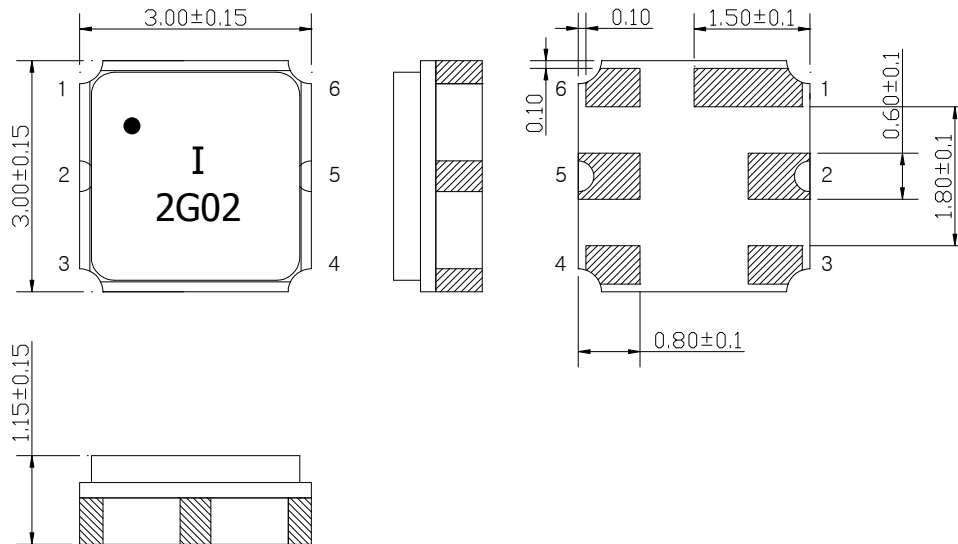
SAW Bandpass Filter F2G02



Features

- RF Bandpass Filter for Wireless Communication.
- Usable bandwidth of 20 MHz
- No impedance matching require for operation at 50 Ω
- Ceramic Surface Mounted Device Package (3.0 mm * 3.0 mm)
- Single-ended Operation
- RoHS Compliant

Package Dimensions



Dimensions shown are nominal in millimeters

Body : Al₂O₃ Ceramic

Lid : Kovar, Ni Plated


Terminations : Au plating 0.3 ~ 1.0 um, Over a 1.27 ~ 8.89 um
Ni Plating

Pin Configurations	
2	Input
5	Output
1, 3, 4, 6	Case ground

Maximum Ratings

Parameters	Unit	Minimum	Typical	Maximum
Operating Temperature Range	℃	-30	25	80
Storage Temperature Range	℃	-40	-	85
Power Handling Capability	dBm	-	-	20

Electrostatics Sensitive Device (ESD)

	ITF Co., Ltd. 102-901, Bucheon Technopark 364, Samjeong-Dong, Ojeong-Gu, Bucheon-City, Gyeonggi-Do, Korea 421-809	Part No.	F2G02	
		Rev. Date	2008-07-25	
		Rev.	NR8005-AS01	1/7

SAW Bandpass Filter F2G02




Specifications

	Minimum	Typical	Maximum	Unit
Center Frequency (Fc)	-	2070.0	-	MHz
Insertion Loss (In Fc +/- 10.0 MHz)	-	1.9	2.8	dB
Amplitude Ripple (In Fc +/- 10.0 MHz)	-	0.5	1.0	dBp-p
VSWR (In Fc +/- 10.0 MHz)	-	1.8	2.4	
Relative Attenuation				
1940.0 MHz ~ 1960.0 MHz	22.0	32.0	-	dB
2130.0 MHz ~ 2150.0 MHz	40.0	52.0	-	
Temperature Range (Operational)	-30	25	85	°C
Input RF Power (In Fc +/- 10.0 MHz)			20	dBm
Input/Output Impedance		50		Ohms

Notes :

- 1) All specifications are based on the matching schematic shown below, measured by Agilent Network analyzer and full 2 port calibration.
- 2) Electrical margin has been built into the design to account for the variations due to temperature drift and manufacturing tolerances
- 3) All attenuation measurements are measured relative to insertion loss

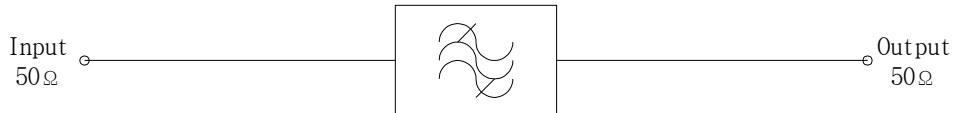
	ITF Co., Ltd. 102-901, Bucheon Technopark 364, Samjeong-Dong, Ojeong-Gu, Bucheon-City, Gyeonggi-Do, Korea 421-809	Part No.	F2G02	
		Rev. Date	2008-07-25	
		Rev.	NR8005-AS01	2/7

SAW Bandpass Filter F2G02



Matching Schematic

(Actual matching values may vary due to PCB layout and parasitics)



Marking Configuration


●¹⁾
I²⁾
2G02³⁾

1) Pad Number 1 Index

2) Manufacturer name

3) Marking Number

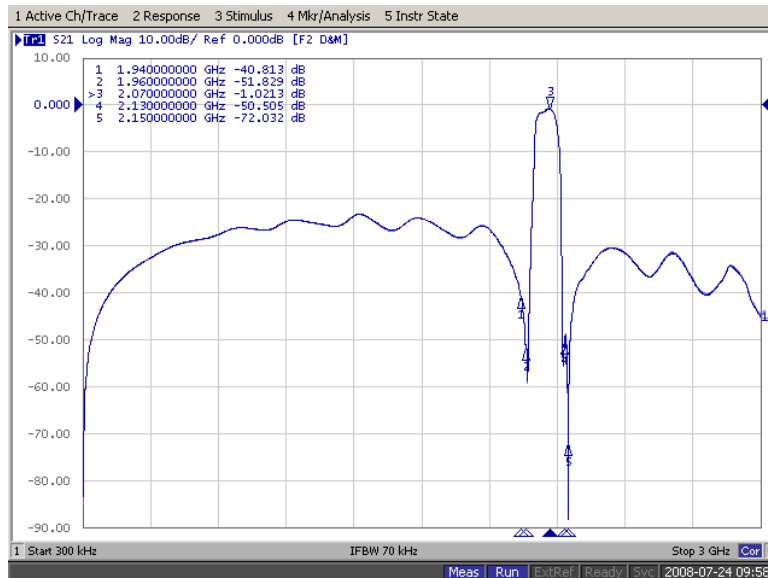
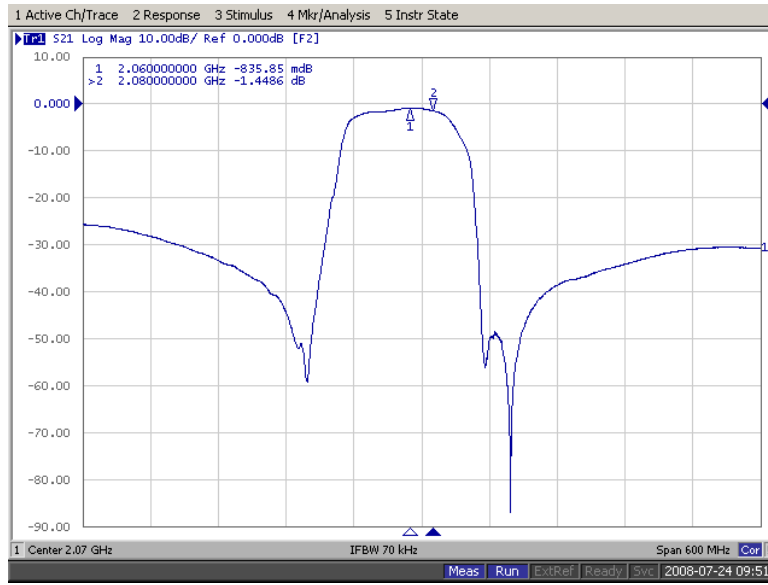
* Ink or Laser Marking available

	ITF Co., Ltd. 102-901, Bucheon Technopark 364, Samjeong-Dong, Ojeong-Gu, Bucheon-City, Gyeonggi-Do, Korea 421-809	Part No.	F2G02	
		Rev. Date	2008-07-25	
		Rev.	NR8005-AS01	3/7

SAW Bandpass Filter F2G02



Typical Performance (at 25°C)



ITF Co., Ltd.
102-901, Bucheon Technopark 364,
Samjeong-Dong, Ojeong-Gu, Bucheon-City,
Gyeonggi-Do, Korea 421-809

Part No.

F2G02

Rev. Date

2008-07-25

Rev.

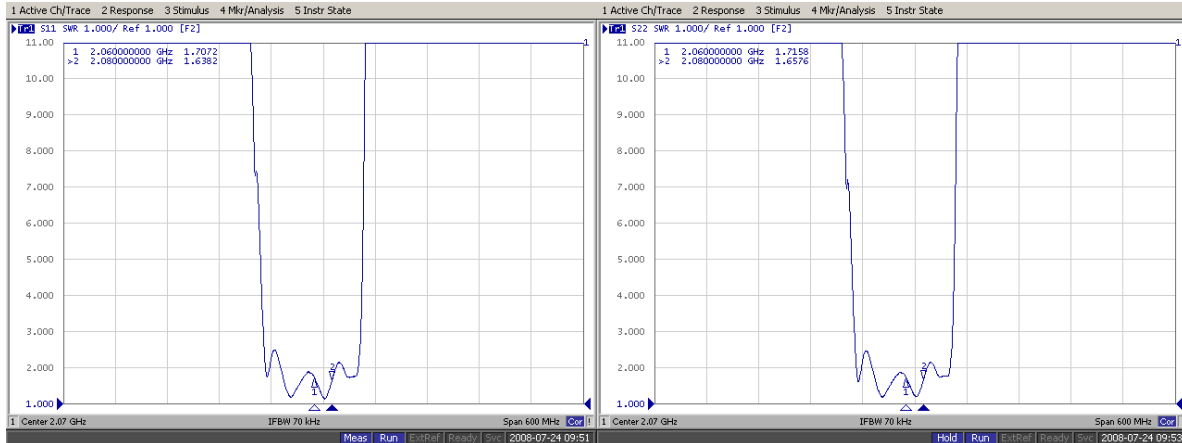
NR8005-AS01

4/7

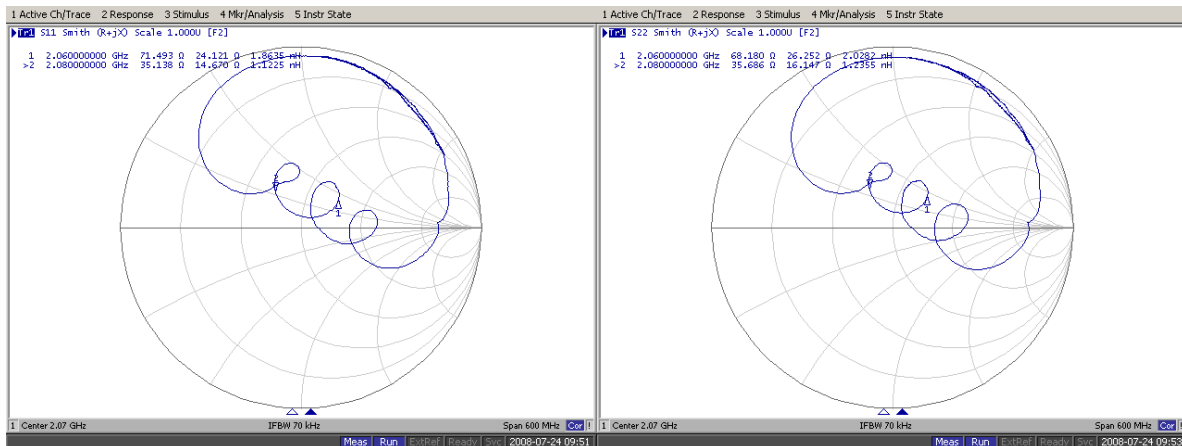
SAW Bandpass Filter F2G02



Input / Output VSWR Charts



Input / Output Smith Charts



ITF Co., Ltd.
 102-901, Bucheon Technopark 364,
 Samjeong-Dong, Ojeong-Gu, Bucheon-City,
 Gyeonggi-Do, Korea 421-809

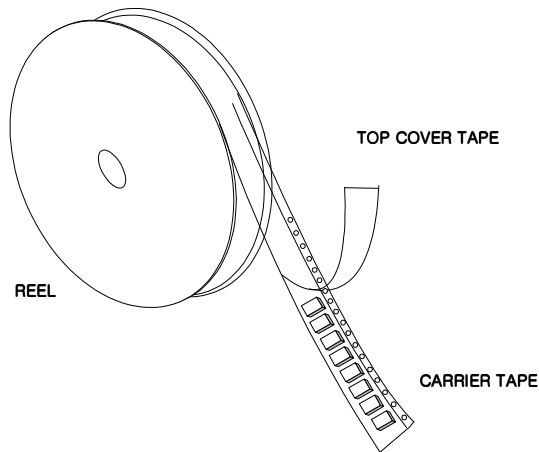
Part No.	F2G02	
Rev. Date	2008-07-25	
Rev.	NR8005-AS01	5/7

SAW Bandpass Filter F2G02



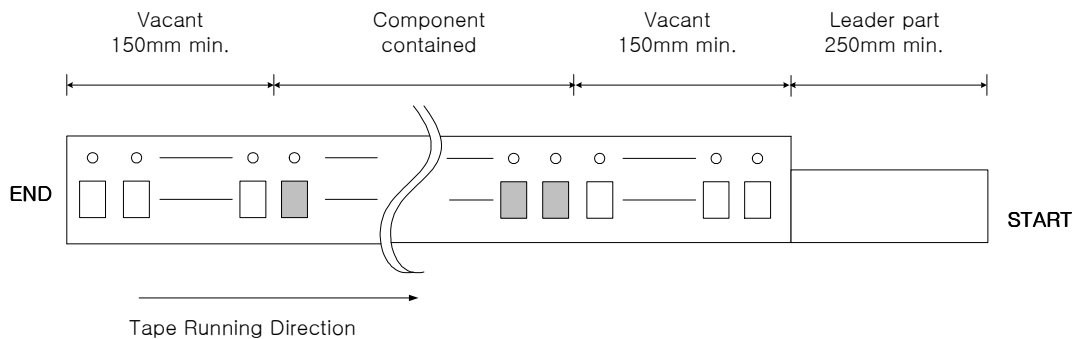
Packing Specification

1. Reeling Quantity : 3000 pcs / 13" reel (or 1000 pcs / 7" reel)
2. Taping Structure : The tape shall be wound around the reel in the direction shown below.



Tape Specification

1. Leader part and vacant position specification

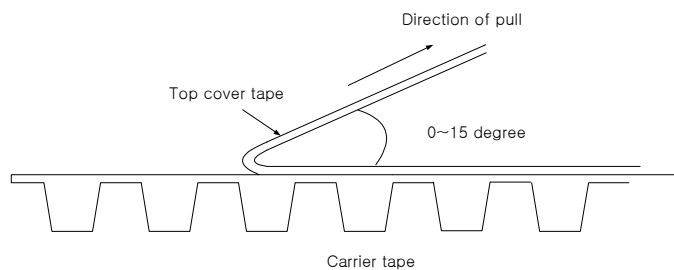


2. Tensile strength of carrier tape

4.4N/mm width

3. Top cover tape adhesion

- 1) pull off angle : 0~15°
- 2) speed : 300mm/min
- 3) force : 20~70g

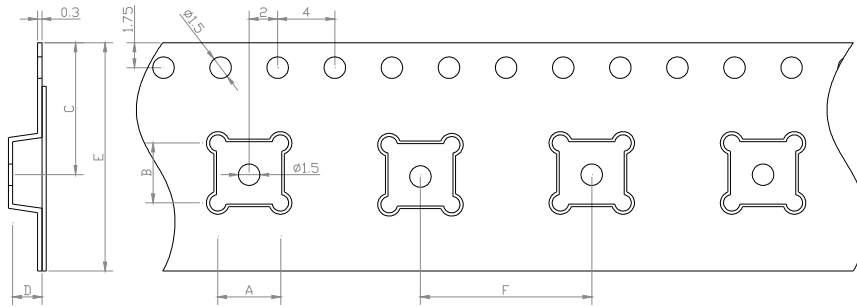


	ITF Co., Ltd. 102-901, Bucheon Technopark 364, Samjeong-Dong, Ojeong-Gu, Bucheon-City, Gyeonggi-Do, Korea 421-809	Part No.	F2G02	
		Rev. Date	2008-07-25	
		Rev.	NR8005-AS01	6/7

SAW Bandpass Filter F2G02

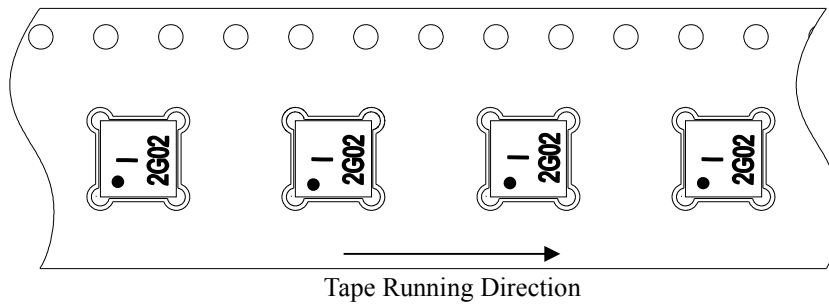


Carrier Tape Dimensions [unit : mm]

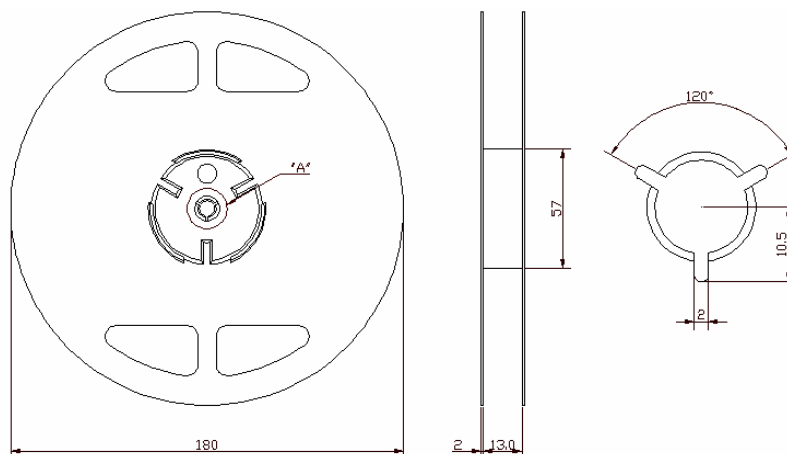



A	3.40 ± 0.1
B	3.40 ± 0.1
C	7.25 ± 0.1
D	1.70 ± 0.1
E	12.00 ± 0.1
F	8.00 ± 0.1

Part Direction



Reel Dimensions [unit : mm]



	ITF Co., Ltd. 102-901, Bucheon Technopark 364, Samjeong-Dong, Ojeong-Gu, Bucheon-City, Gyeonggi-Do, Korea 421-809	Part No.	F2G02	
		Rev. Date	2008-07-25	
		Rev.	NR8005-AS01	7/7