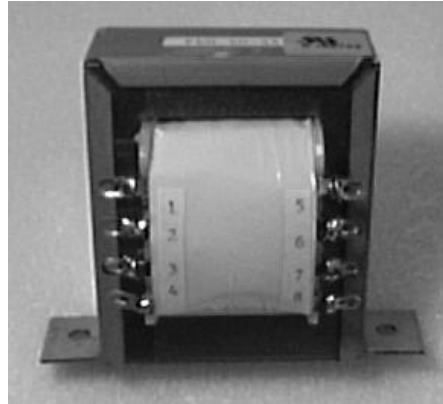




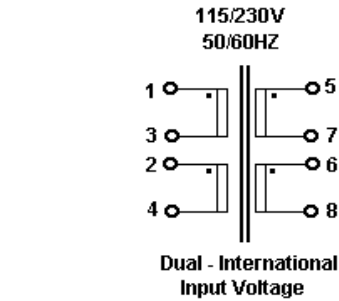
**"FBM" series.... Bracket Mounted Power Transformers
For European & American Applications**

- 2500 Volt Hi-Pot
- Low Interwinding Capacitance
- UL Recognized (File # E169769)
(Class B, 130 Degree C, Class 2 & 3 Pending)



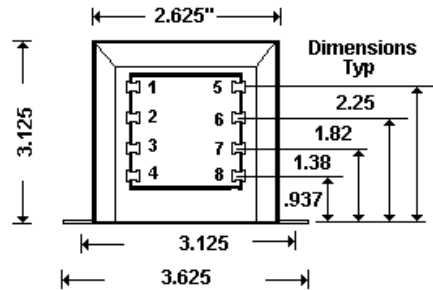
12+VA Dual Primary 115V-230V, 50/60HZ Transformers

Part Number	RMS Secondary Ratings		
	Series	Parallel	Seperate
FBM12-10	10 VCT @ 1.2A	5V @ 2.4A	5V @ 1.2A
FBM12-12	12.6 VCT @ 2.0A	6.3V @ 4.0A	6.3V @ 2.0A
FBM12-16	16 VCT @ 0.75A	8V @ 1.5A	8V @ 0.75A
FBM12-20	20 VCT @ 0.6A	10V @ 1.2A	10V @ 0.6A
FBM12-24	24 VCT @ .5A	12V @ 1.0A	12V @ .5A
FBM12-28	28 VCT @ .42A	14V @ .84A	14V @ .42A
FBM12-36	36 VCT @ .33A	18V @ 0.66A	18V @ .33A



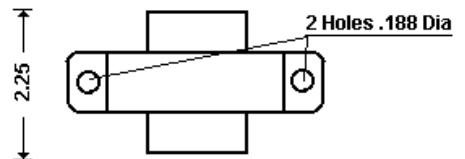
25VA Dual Primary 115V-230V, 50/60HZ Transformers

Part Number	RMS Secondary Ratings		
	Series	Parallel	Seperate
FBM25-10	10 VCT @ 2.5A	5V @ 5A	5V @ 2.5A
FBM25-12	12.6 VCT @ 2.0A	6.3V @ 4.0A	6.3V @ 2.0A
FBM25-16	16 VCT @ 1.5A	8V @ 3.0A	8V @ 1.5A
FBM25-25	20 VCT @ 1.5A	10V @ 3A	10V @ 1.5A
FBM25-24	24 VCT @ 1.0A	12V @ 2.0A	12V @ 1.0A
FBM25-28	28 VCT @ 0.9A	14V @ 1.8A	14V @ 0.9A
FBM25-36	36 VCT @ .7A	18V @ 1.4A	18V @ .7A



50VA Dual Primary 115V-230V, 50/60HZ Transformers

Part Number	RMS Secondary Ratings		
	Series	Parallel	Seperate
FBM50-10	10 VCT @ 5.0A	5V @ 10.0A	5V @ 5.0A
FBM50-12	12.6 VCT @ 4.0A	6.3V @ 8.0A	6.3V @ 4.0A
FBM50-16	16 VCT @ 3.0A	8V @ 6.0A	8V @ 3.0A
FBM50-50	20 VCT @ 2.5A	10V @ 5.0A	10V @ 2.5A
FBM50-24	24 VCT @ 2.0A	12V @ 4.0A	12V @ 2.0A
FBM50-28	28 VCT @ 1.8A	14V @ 3.6A	14V @ 1.8A
FBM50-36	36 VCT @ 1.5A	18V @ 3.0A	18V @ 1.5A



- For 115V input connect the following pins
Connect 1 & 2, and 3 & 4
- For 230V input connect the following pins
Connect 2 & 3
- For 24V output connect the following pins
Connect 6 & 7
- For 12V output connect the following pins
Connect 5 & 6, and 7 & 8

226/1998