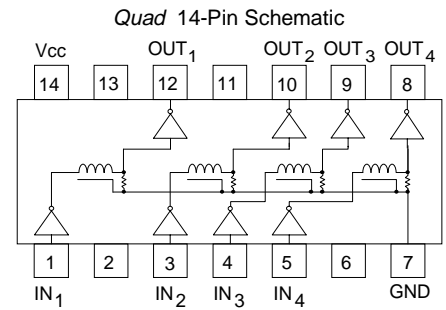
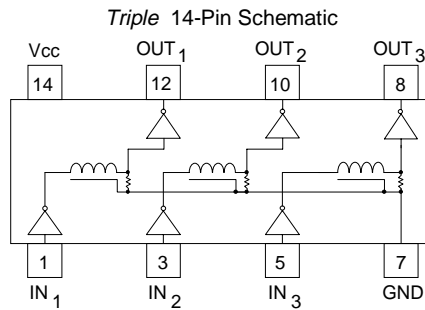


FAST / TTL Logic Buffered Triple & Quad Delays Modules

Uniform or Various Delays in 14-Pin DIP & SMD Packages

Electrical Specifications at 25°C

Delay (ns)	FAST Buffered Multi-Line Triple P/N	Quadruple P/N
4 ± 1.00	FAI3D-4	FAI4D-4
5 ± 1.00	FAI3D-5	FAI4D-5
6 ± 1.00	FAI3D-6	FAI4D-6
7 ± 1.00	FAI3D-7	FAI4D-7
8 ± 1.00	FAI3D-8	FAI4D-8
10 ± 1.50	FAI3D-10	FAI4D-10
15 ± 2.00	FAI3D-15	FAI4D-15
16 ± 2.00	FAI3D-16	FAI4D-16
20 ± 2.00	FAI3D-20	FAI4D-20
25 ± 2.00	FAI3D-25	FAI4D-25
30 ± 2.00	FAI3D-30	FAI4D-30
50 ± 2.50	FAI3D-50	FAI4D-50



To Specify G-SMD add "G" suffix to P/N

FAI4D-M Series: Variety of Delays per Part
Refer to Delay tolerances for similar delays above

FAST Logic Multi-Line / Multi-Delay P/N	Line 1 (ns) Pin 1 to Pin 12	Line 2 (ns) Pin 3 to Pin 10	Line 3 (ns) Pin 4 to Pin 9	Line 4 (ns) Pin 5 to Pin 8
FAI4D-M01	4.0	5.0	6.0	7.0
FAI4D-M02	4.0	4.0	8.0	8.0
FAI4D-M03	5.0	5.0	10.0	10.0
FAI4D-M04	4.0	6.0	8.0	10.0
FAI4D-M05	6.0	6.0	12.0	12.0
FAI4D-M06	5.0	7.5	10.0	12.5
FAI4D-M07	7.5	7.5	15.0	15.0
FAI4D-M08	8.0	8.0	16.0	16.0
FAI4D-M09	10.0	10.0	20.0	20.0
FAI4D-M10	5.0	5.0	20.0	20.0
FAI4D-M11	10.0	10.0	20.0	20.0
FAI4D-M12	4.0	8.0	16.0	32.0

OPERATING SPECIFICATIONS

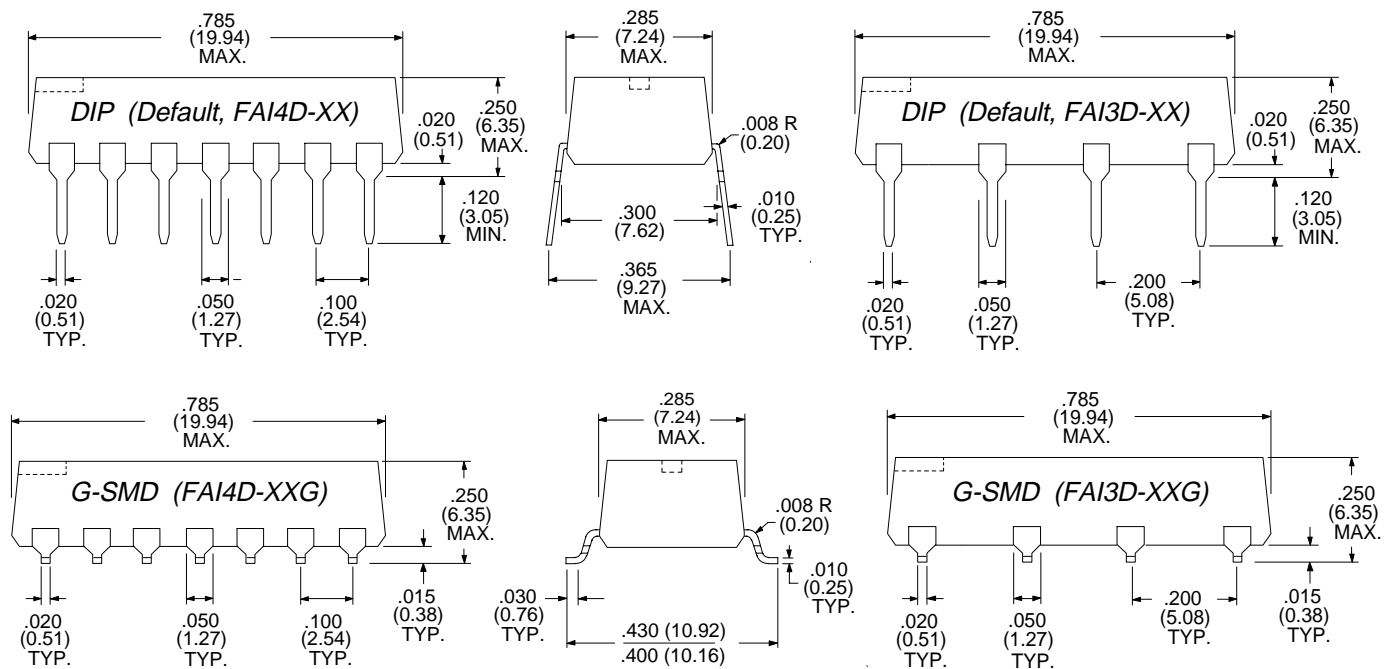
- V_{CC} Supply Voltage 5.00 ± 0.25 VDC
- I_{CC} Supply Current (3D) 45 mA typ., 95 mA max.
- I_{CC} Supply Current (4D) 65 mA typ., 130 mA max.
- Logic "1" Input: V_{IH} 2.00 V min., 5.50 V max.
- I_{IH} 20 µA max. @ 2.70V
- Logic "0" Input: V_{IL} 0.80 V max.
- I_{IL} -0.6 mA max.
- V_{OH} Logic "1" Voltage Out 2.40 V min.
- V_{OL} Logic "0" Voltage Out 0.50 V max.
- P_{wi} Input Pulse Width 100% of Delay
- Operating Temperature Range 0° to 70°C
- Storage Temperature Range -65° to +150°C

TEST CONDITIONS

(Measurements made at 25°C)

- V_{CC} Supply Voltage 5.00VDC
- Input Pulse Voltage 3.20V
- Input Pulse Rise Time 3.0 ns max.
- Input Pulse Period 500 ns
- Input Pulse Width 1000 ns

Dimensions in Inches (mm)



Specifications subject to change without notice.

For other values & Custom Designs, contact factory.

www.rhombus-ind.com • sales@rhombus-ind.com • TEL: (714) 898-0960 • FAX: (714) 896-0971