

# HCMOS 5x3.2mm 1.8V SMD Oscillator



Model: F510L Series

RoHS Compliant / Pb Free

Rev. 4/14/2008

Page 1 of 2

[http://www.foxonline.com/need\\_a\\_sample.htm](http://www.foxonline.com/need_a_sample.htm)



## FEATURES

- 1.8V Operation
- HCMOS Output
- Low Power Consumption
- Standby Function
- Tape and Reel (2,000 pcs. STD)

## • PART NUMBER SELECTION [Learn More](#) - Internet Required

Part Number	Model Number	Frequency Stability <sup>1</sup>	Operating Temperature (°C)	Frequency Range (MHz)
551-Frequency-xxxxx	F510L	±100PPM	-10 ~ +70	1.800 ~ 125.000
552-Frequency-xxxxx	F510LR	±100PPM	-40 ~ +85	1.800 ~ 125.000
553-Frequency-xxxxx	F515L	±50PPM	-10 ~ +70	1.800 ~ 125.000
554-Frequency-xxxxx	F515LR	±50PPM	-40 ~ +85	1.800 ~ 125.000
555-Frequency-xxxxx	F516L	±25PPM	-10 ~ +70	1.800 ~ 125.000
556-Frequency-xxxxx	F516LR	±25PPM*	-40 ~ +85	1.800 ~ 50.000
557-Frequency-xxxxx	F518L	±20PPM*	-10 ~ +70	1.800 ~ 50.000

## • ELECTRICAL CHARACTERISTICS

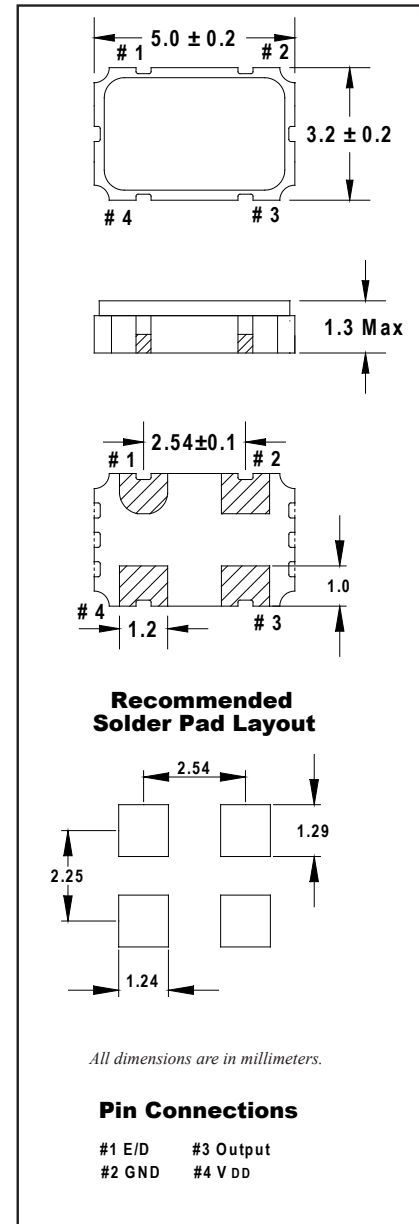
PARAMETERS	MAX (unless otherwise noted)
Frequency Range (Fo)	1.800 ~ 125.000 MHz
Storage Temperature Range (TSTG)	-55°C ~ +125°C
Supply Voltage (VDD)	1.8V ± 5%
Input Current (IDD)	
1.800 ~ 32.100 MHz	7mA
32.100+ ~ 50.000 MHz	15mA
50.000+ ~ 125.000 MHz	25mA
Output Symmetry (50% VDD)	40% ~ 60%
Rise Time (20% ~ 80% VDD) (Tr)	
1.800 ~ 32.100 MHz	5nS
32.100+ ~ 125.000 MHz	3.5nS
Fall Time (80% ~ 20% VDD) (Tf)	
1.800 ~ 32.100 MHz	5nS
32.100+ ~ 125.000 MHz	3.5nS
Output Voltage (VOL)	20% VDD
(VOH)	80% VDD Min
Output Current (IOL)	2mA Min
(IOH)	2mA Min
Output Load (HCMOS)	15pF
Standby Current	10µA
Start-up Time (Ts)	10mS
Output Disable Time <sup>2</sup>	300nS
Output Enable Time <sup>2</sup>	10mS

<sup>1</sup> Inclusive of 25°C tolerance, operating temperature range, input voltage change, load change, aging, shock, and vibration. \*Excludes Shock/Vibration

<sup>2</sup> An internal pullup resistor from pin 1 to pin 4 allows active output if pin 1 is left open.

Drawing is for reference to critical specifications defined by size measurements.

Certain non-critical visual attributes, such as side castellations, reference pin shape, etc. may vary. All specifications subject to change without notice.



## • ENABLE / DISABLE FUNCTION

INH (Pin 1)	OUTPUT (Pin 3)
OPEN <sup>2</sup>	ACTIVE
'1' Level V <sub>IH</sub> ≥ 70% V <sub>DD</sub>	ACTIVE
'0' Level V <sub>IL</sub> ≤ 30% V <sub>DD</sub>	High Z

# HCMOS 5x3.2mm 1.8V SMD Oscillator



Model: F510L Series

RoHS Compliant / Pb Free

Rev. 4/14/2008

Page 2 of 2

[http://www.foxonline.com/need\\_a\\_sample.htm](http://www.foxonline.com/need_a_sample.htm)

Need a  
Sample®

• TAPE SPECIFICATIONS (millimeters)							
MODEL	A	B	C	D	E	F	STD Reel QTY
F510L Series	∅1.5	4.0	8.0	7.5	16.0	2.5	2,000

• REEL SPECIFICATIONS (millimeters)							
MODEL	G	H	I	J	K	L	M
F510L Series	2.0	∅13	∅21	∅80	∅250	13.5	2.0

