

High Frequency Data Line Filter

Low Profile 50 mil 16 Pin
Transfer Molded Package
Gullwing SMD

50 mil Surface Mount Package

Filter Common &
Differential Mode Noise

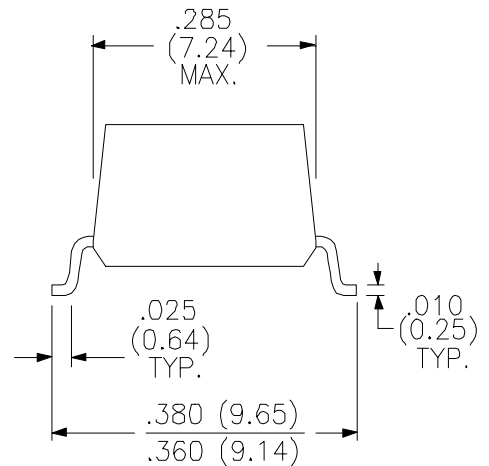
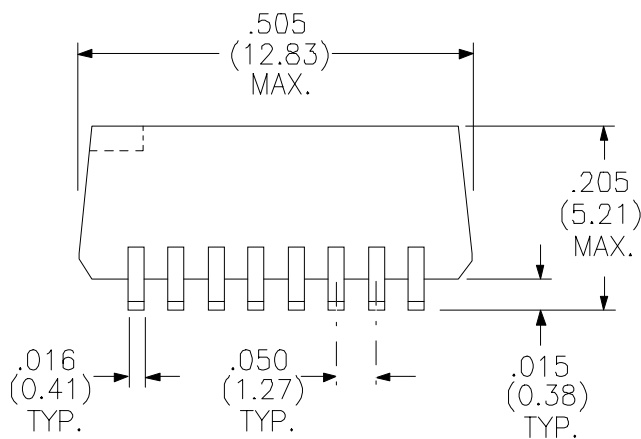
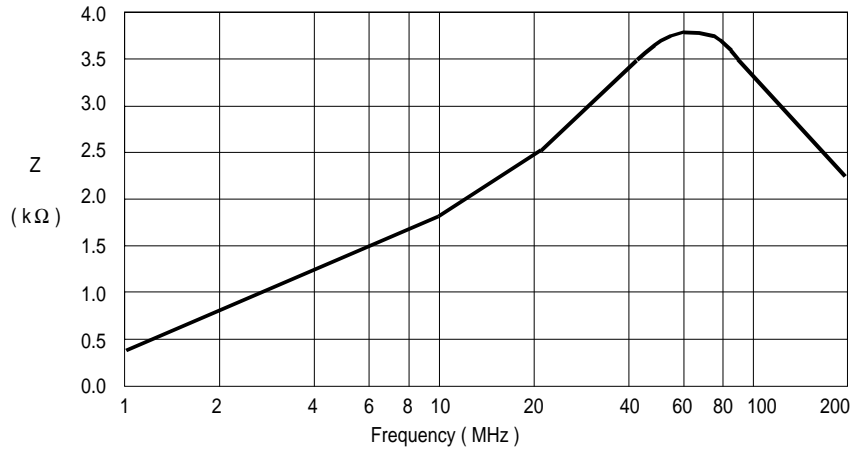
Frequency Range 1 - 200 MHz

EMI / RFI Suppression

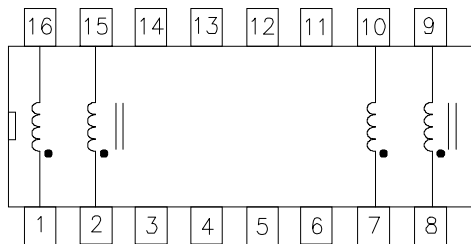
2000 V_{RMS} Isolation

Operating temperature Range
-45°C to +85°C

P/N F-1506 Typical Impedance Plot



Schematic Diagram



**TAPE AND REEL
AVAILABLE**

RHOMBUS P/N: F-1506

CUST P/N:

NAME:

DATE: 1/12/98

SHEET: