

**INTRODUCTION:**

Adam Tech .050" IDC Sockets and transition plugs are low profile, precision designed flat cable connectors that feature either .050" x .100" centerlines or .050" x .050" centerlines. These series quickly and easily mass terminate flat cable in one simple step. Our superior contact design provides a smooth high pressure wiping action to ensure excellent continuity. They are used with a single layer of .025" flat cable. Their small size, light weight and high density make them ideal for compact and limited space applications.

**FEATURES:**

- .050" x .050" or .050" x .100"
- Low Profile and High Density
- Uses Single layer .025" Flat Cable
- Quickly and easily mass terminates standard Flat Cable
- Smooth High Pressure Wiping Contacts

**MATING CONNECTORS:**

Adam Tech .050" HBHR series box headers or HPH2 series pin headers

**SPECIFICATIONS:**

**Material:**

Insulator: PBT, glass reinforced, rated UL94V-0  
 Insulator Color: Black  
 Contacts: Phosphor Bronze

**Contact Plating:**

Tin over copper underplate overall

**Electrical:**

Operating voltage: 250V AC max.  
 Current rating: 1 Amp max.  
 Contact resistance: 20 mΩ max. Initial  
 Insulation resistance: 5000 MΩ min.  
 Dielectric withstanding voltage: 1000V AC for 1 minute

**Mechanical:**

Insertion force: 0.312 lbs per contact max.  
 Withdrawal force: 0.094 lbs per contact min.  
 Recommended wire size: 28 Awg stranded  
 Cable retention: 22 lbs. min axial force per inch.  
 Mating durability: 500 cycles min.

**Temperature Rating:**

Operating temperature: -40°C to +105°C

**PACKAGING:**

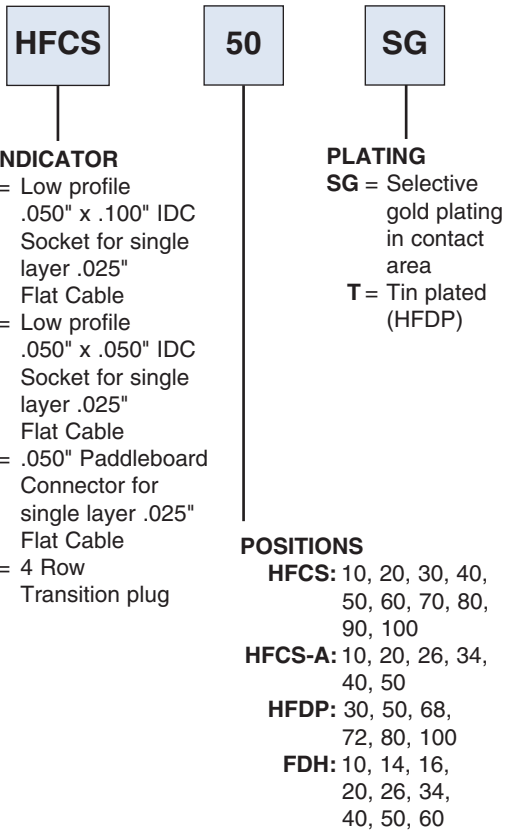
Anti-ESD plastic trays

**SAFETY AGENCY APPROVALS:**

UL Recognized File No. E224053  
 CSA Certified File No. LR1578596



**ORDERING INFORMATION**



**HFCS Strain Relief**

**Part No.:**  
 HFSR - XX  
 (XX = No. of Positions)

**OPTIONS**

Add designator(s) to end of part number  
**N** = No polarization bump (HFCS series)