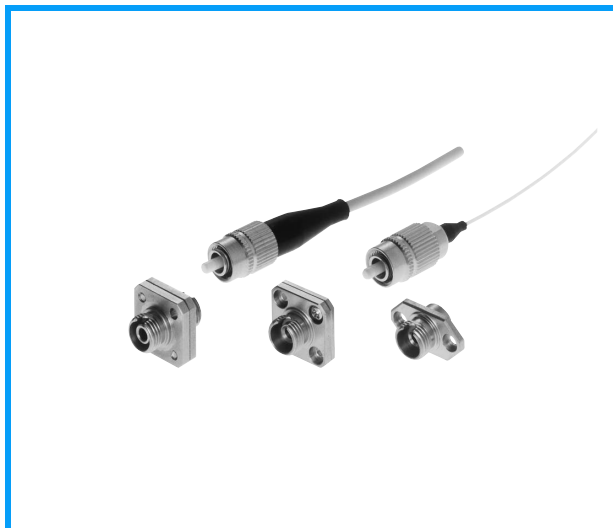


FC Type Optical-Fiber Connector

A
FCN



- FCN Series represents FC type connectors complying with the JIS F01 type specifications. These connectors for optical fibers, using screw thread for mating, are available for the equipment used for transmission systems of the optical communication subscriber systems, LAN, and factory and office automation.
- Having the same performance with as the SC type optical connectors (engaged by pushing on), the connectors of this series are designed for the single-mode and multi-mode optical fibers.

FEATURE

- High performance and reliability
- Connection secured by thread coupling mechanism
- Compact and light

Use

- Medium- and long-distance optical transmission lines, LAN, CATV, factory automation, office automation, measurement apparatuses, links, etc.

Applicable Standard

JIS C 5970 (F01 type single-channel optical fiber connector)

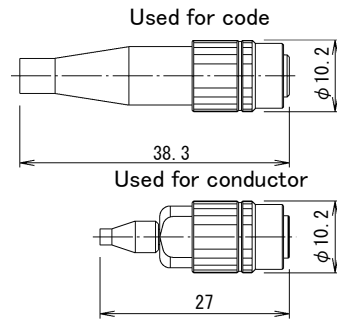
Specifications

	Fiber	SM 10/125	GI 50/125
Insert loss	Flat polishing	1.0 dB or less	0.6 dB or less
	PC polishing	0.5 dB or less	0.3 dB or less
Reflective attenuation	PC polishing	22 dB or more	22 dB or more
Operational temperature	-25°C to +70°C		
Durability	500 times		

■ Plug Housing

FCN-PD-□□□-CF

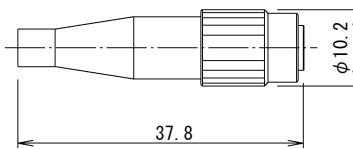
Frame: Zn die-cast



P/N	Applicable fiber
FCN-PD-095-CF	Code (outer diameter: 2.8 ± 0.3 mm)
FCN-PD-096-CF	Code (outer diameter: 2.0 ± 0.3 mm)
FCN-PD-099-CF	Code (outer diameter: 1.7 ± 0.3 mm)
FCN-PD-097-CF	Jacket (outer diameter: 0.9 ± 0.3 mm)

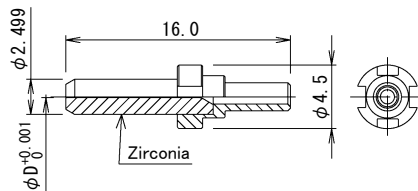
FCN-PS-□□□-CF

Frame: Zn die-cast
Crimping-ring and ring for SC connector are used.



P/N	Applicable fiber
FCN-PS-001-CF	Code (outer diameter: 2.8 ± 0.3 mm)
FCN-PS-002-CF	Code (outer diameter: 2.0 ± 0.3 mm)
FCN-PS-003-CF	Code (outer diameter: 1.7 ± 0.3 mm)

■ Ferrule

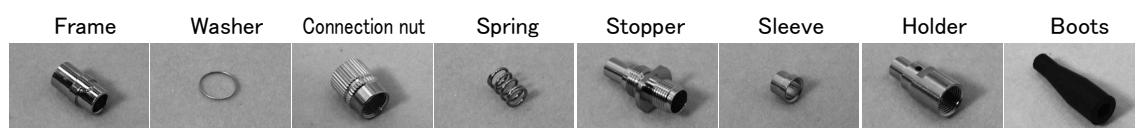


P/N	D	Applicable fiber
SC Ferrule 105	0.125	Single-mode fiber

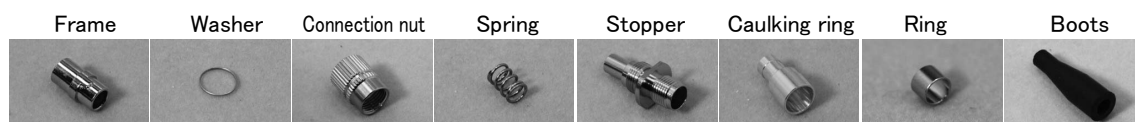
Other models are also available for various kinds of fibers.

■ Plug Housing

• Parts constituting plug housing



FCN-PD- □□□ -CF Zn die-cast frame is used.



FCN-PS- □□□ -CF Zn die-cast frame and Caulking ring for SC connector are used.

Receptacle

FCN-RA Type

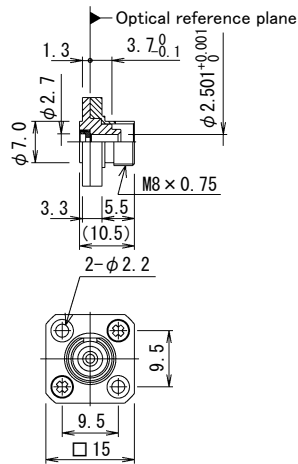


FCN-RC Type

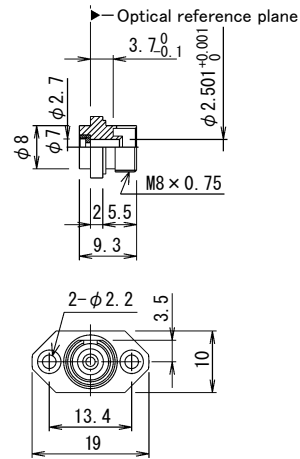


Receptacle with Ferrule Stopper

FCN-RA-001

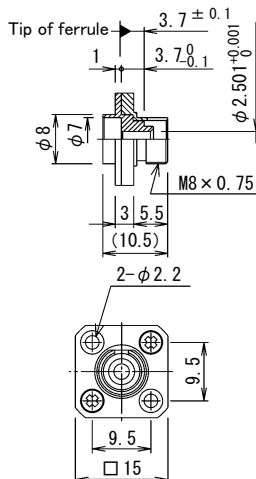


FCN-RC-001

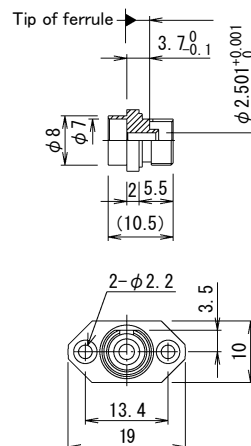


Receptacle for Device without Stopper

FCN-RA-009



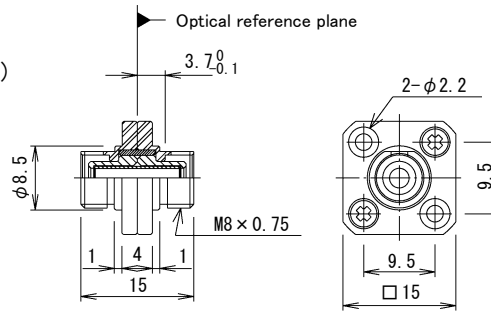
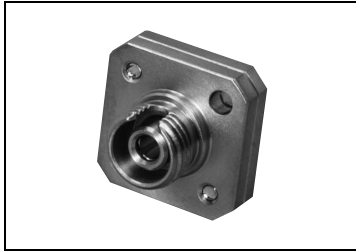
FCN-RC-009



Adapter

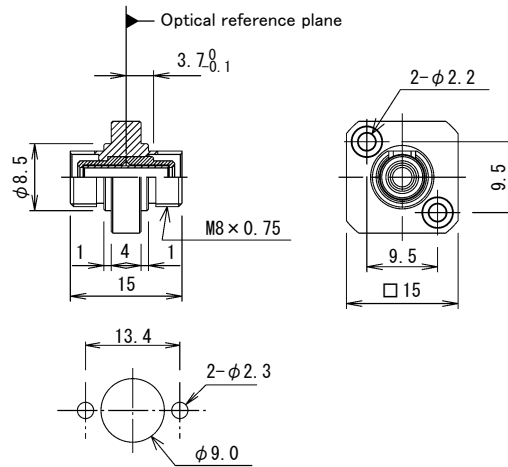
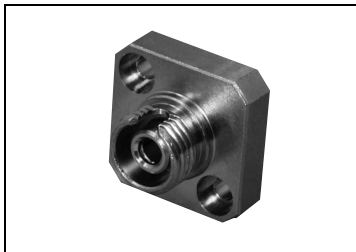
FCN-AA-001

Housing: Stainless steel (consisting of two parts)



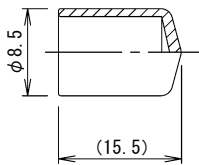
FCN-AB-103-CF

Housing: Brass (consisting of one part)


 Dimensions of mounting holes
(plate thickness: 1.5 mm or less)

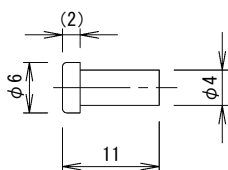
Dust-proof Cap

(For plug housing) Cap V007BL



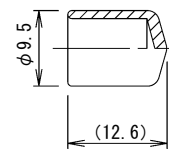
Material: Black vinyl chloride

(For ferrule) Ferrule Cap



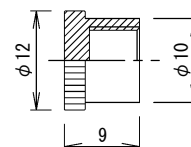
Material: Transparent polyethylene (UL94-V0)

(For receptacle and adapter) Cap V006B



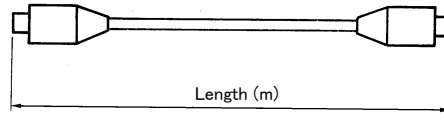
Material: Blue vinyl chloride

(For receptacle and adapter) Cap D001W

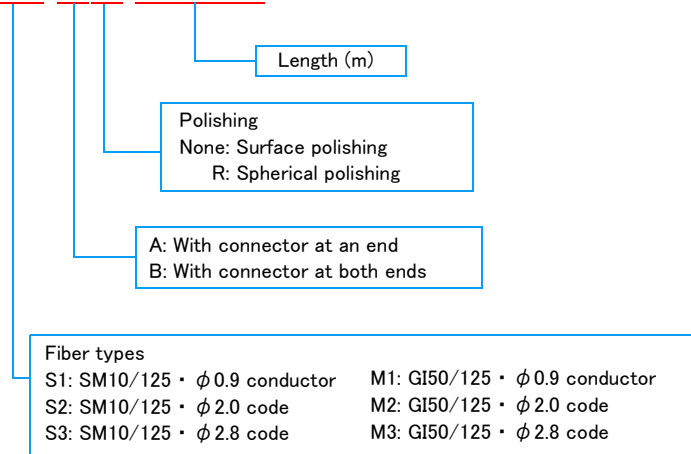


Material: Opaque polyacetal

Optical Fiber Code with Connector (with Polyethylene Cap)



FOJ-FCN S1-AR()M-CF



* The designation shown above represents the model using FCN-PD-() and cap V007BL.
Contact us if you need to use other plug-housing or cap.