

## Fused Coupler, PM Combiner



### Key Features

- Low insertion loss
- High power handling
- Proven reliability
- 9xx, 14xx and 15xx variants

### Applications

- Erbium doped fiber amplifiers (EDFAs)
- Raman amplifiers
- Coherent optical communications

The JDSU Fused Coupler, PM Combiner enables the efficient combination of two orthogonally polarized sources of light at the same wavelength such that they are output through the same, single fiber output. In optical amplifiers this provides a doubling of pump power whilst ensuring pump redundancy should a pump failure occur. Applications include high power optical amplifiers and undersea systems. All ports consist of polarization maintaining fiber.

## 2

### Specifications

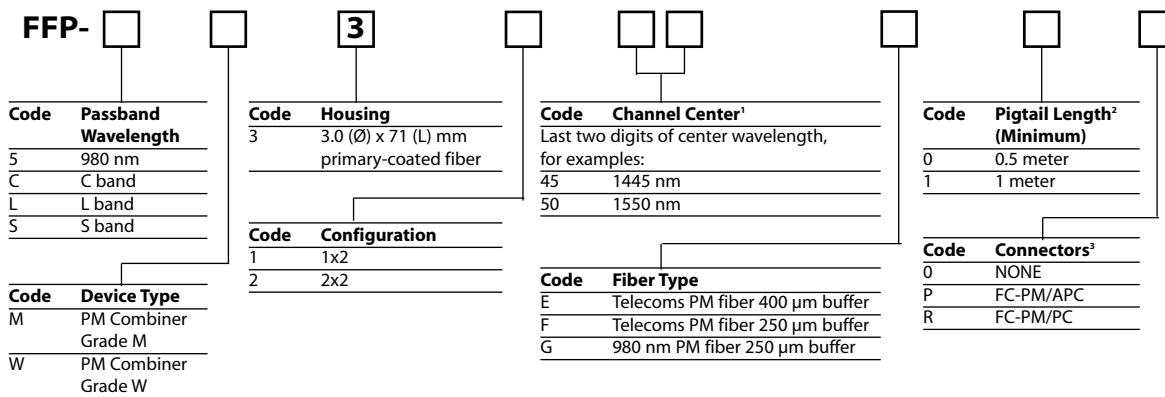
Parameter		980 nm	S band	C band	L band
Operating wavelength range <sup>1</sup>		980 nm	1440 to 1475 nm	1528 to 1563 nm	1570 to 1605 nm
Insertion loss (fast axis) <sup>2</sup>					
Grade M	Maximum	0.40 dB	0.40 dB	0.50 dB	0.50 dB
Grade W	Maximum	0.60 dB	0.60 dB	0.70 dB	0.70 dB
Housing option		B			
Dimensions (Ø x L) for 1x2 and 2x2		3.0 x 71 mm			
Insertion loss (slow axis) <sup>2</sup>					
Grade M	Maximum		0.35 dB		
Grade W	Maximum		0.40 dB		
Return loss/Directivity	Minimum		50 dB		
TDL	Typical		0.15 dB		
Pigtail tensile load	Maximum		5 N		
Optical power handling	Maximum		4 W		
Fiber type		All ports PM fiber			
Pigtail		Primary-coated fiber			
Operating temperature range		-5 to 75 °C			
Storage temperature range		-40 to 85 °C			

1. The center wavelength may be selected from within the operating wavelength ranges supplied.
2. Insertion loss over operating channel bandwidth (not including TDL or connector losses).

**Ordering Information**

For more information on this or other products and their availability, please contact your local JDSU account manager or JDSU directly at 1-800-498-JDSU (5378) in North America and +800-5378-JDSU worldwide or via e-mail at customer.service@jdsu.com.

**Sample: FFP-SM3245E10 (S band, PM Combiner Grade M, regular housing, 2x2 Channel Center = 1445 nm, Telecoms PM Fiber 400 µm buffer, 1 m pigtail, no connector)**



1. Channel center must be within the selected passband wavelength.
2. Minimum pigtail length. Other pigtail lengths available on request.
3. Insertion loss in specification table does not include connector loss. Other connectors available on request.

All statements, technical information and recommendations related to the products herein are based upon information believed to be reliable or accurate. However, the accuracy or completeness thereof is not guaranteed, and no responsibility is assumed for any inaccuracies. The user assumes all risks and liability whatsoever in connection with the use of a product or its application. JDSU reserves the right to change at any time without notice the design, specifications, function, fit or form of its products described herein, including withdrawal at any time of a product offered for sale herein. JDSU makes no representations that the products herein are free from any intellectual property claims of others. Please contact JDSU for more information. JDSU and the JDSU logo are trademarks of JDS Uniphase Corporation. Other trademarks are the property of their respective holders. ©2006 JDS Uniphase Corporation. All rights reserved. 10140142 Rev. 004 02/06 FFP-COMBINER.DS.CC.AE