

Type: FB3-6G

Product Description

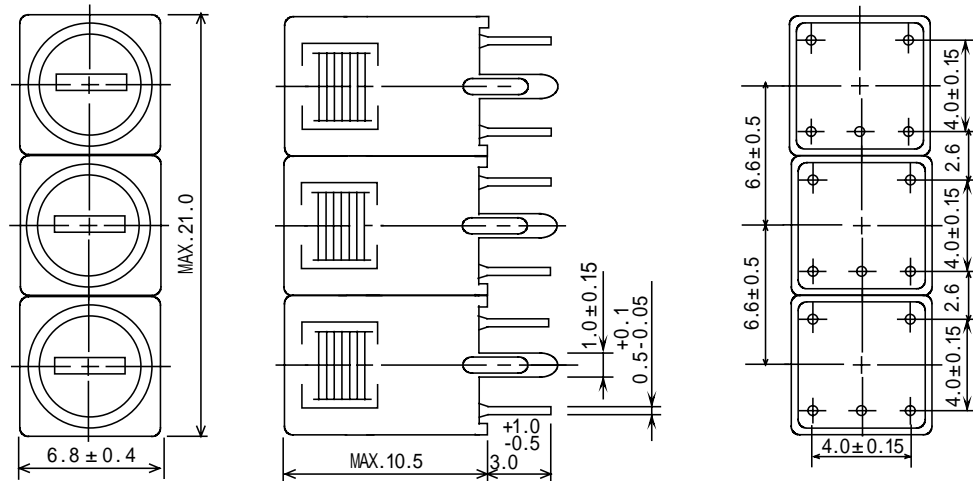
- 21.0 × 7.2mm Max.(L × W), 10.5mm Max. Height.
- Operating frequency:500kHz Max.
- In addition to the reference versions of parameters shown here, custom designs are available to meet your exact requirements.



Feature

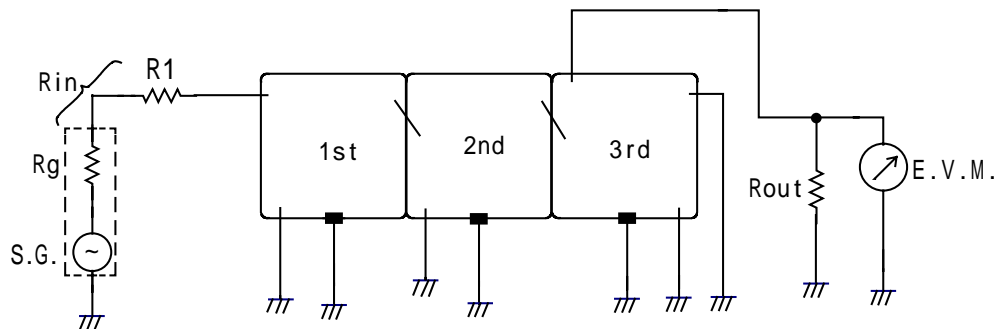
- Variable shielded type with three individual coils combined.
- Two capacitors can be internally mounted in one section.
- Ideally used as Audio Filters(LPF, BPF, Delay Line)
- RoHS Compliance

Dimensions(mm)



- * Dimension does not include solder used on coil.
- * Pin pitch should be measured at the root of terminal.

Testing Circuit



$R_{in} = R_g + R_1 = 680$
 $R_{out} = 680$
 Be Connect in out.

Type: FB3-6G
Specification (Part Number: 4514-T025)

Item	Specification	
Input impedance (Rin)	680Ω	
Output impedance (Rout)	680Ω	
Center frequency	150kHz	
Band width (-3dB)	23.4KHz(TYP.)	
Attenuation	100kHz	40dB Min
	200kHz	23dB Min.
Insertion loss	150kHz	4.5dB Max.
Phase	150kHz	-16±10deg within

Frequency Response (Attenuation 150kHz=0dB)
