

FIBER COUPLED LASER MODULE (785 NM)

FCLM785 Series

The FCLM™ Laser Module is a temperature stabilized semiconductor laser coupled with single mode fiber. It features very low M² value Gaussian beam output with excellent beam pointing stability at a wide temperature dynamic range. The unique designed electrical driver enable this optical engine has the lowest power consumptions compare to the similar product in the industry. The FCLM™ Laser Module is a Class III b laser product

Performance Specification

| | | Condition | Min | Typ | Max | Unit | |
|-----------------------------------|----|----------------|------------------------------|------|-----|---------|---|
| Optical Performance | | | | | | | |
| Wavelength | | T= 25°C | | 785 | | nm | |
| Output Power | 15 | T= 25°C | 15 | | | mW | |
| | 50 | T= 25°C | 50 | | | mW | |
| Noise(RMS) | | 10~20 MHz | | 0.1 | 0.3 | % | |
| Power Stability | | 1hrs, T= 25°C | | 0.25 | 0.5 | % | |
| Power Stability | | 24hrs, T= 25°C | | 0.75 | 1 | % | |
| Polarization Extinction Ratio | | | 15 | | | dB | |
| Collimated Beam Parameters | | | | | | | |
| M2 | | | | | 1.2 | | |
| Beam Diameter | | 1/e2 | 0.7, 0.9, 1.5, 2.0, 4.0, 6.0 | | | mm | |
| Beam Divergence | | full angle | | | 1 | mrad | |
| Pointing Stability | | 2hrs, T= 25°C | | | 5 | urad | |
| Pointing Stability | | | | | 1 | urad/°C | |
| Fiber Information | | | | | | | |
| Length | | | 1, 2, 3 | | | m | |
| Fiber Type | | | SM / PM | | | | |
| Mode Field Diameter | | | 3 | | | um | |
| NA | | | 0.12 | | | | |
| Fiber Jacket Diameter | | | 3 | | | mm | |
| Electrical Parameters | | | | | | | |
| Power Supply | | | 9 | | | V | |
| Power Consumption | | | 3 | | | 10 | W |
| Current(TEC) | | | 2 | | | A | |
| Current(LD) | | | 200 | | | mA | |
| Temperature Stability | | | 0.2 | | | °C | |
| Control | | | ACC | | | | |
| Power Setting | | | 0% ~ 100% output power | | | | |
| Environmental Conditions | | | | | | | |
| Storage Temperature | | | 0 to + 50 | | | °C | |
| Operation Temperature | | | + 10 to + 40 | | | °C | |
| Operation Humidity | | | No Condensing | | | | |
| Package Dimensions * | | | 112 x 56 x 26.5 | | | mm | |



Features

- ◆ Plug & Play
- ◆ ESD Protection
- ◆ Power Adjustable
- ◆ LD Current Full Protection
- ◆ LD Temperature Stabilized
- ◆ Compact Size

Applications

- ◆ Polarization Maintaining Fiber
- ◆ High Speed Modulation
- ◆ Remote Control
- ◆ Collimated & Focused Beam
- ◆ Metal Jacket Protection

Note:

* The mechanical tolerance should be +/-0.2 mm on all package dimensions unless otherwise custom specified.

FCLM658 SERIES

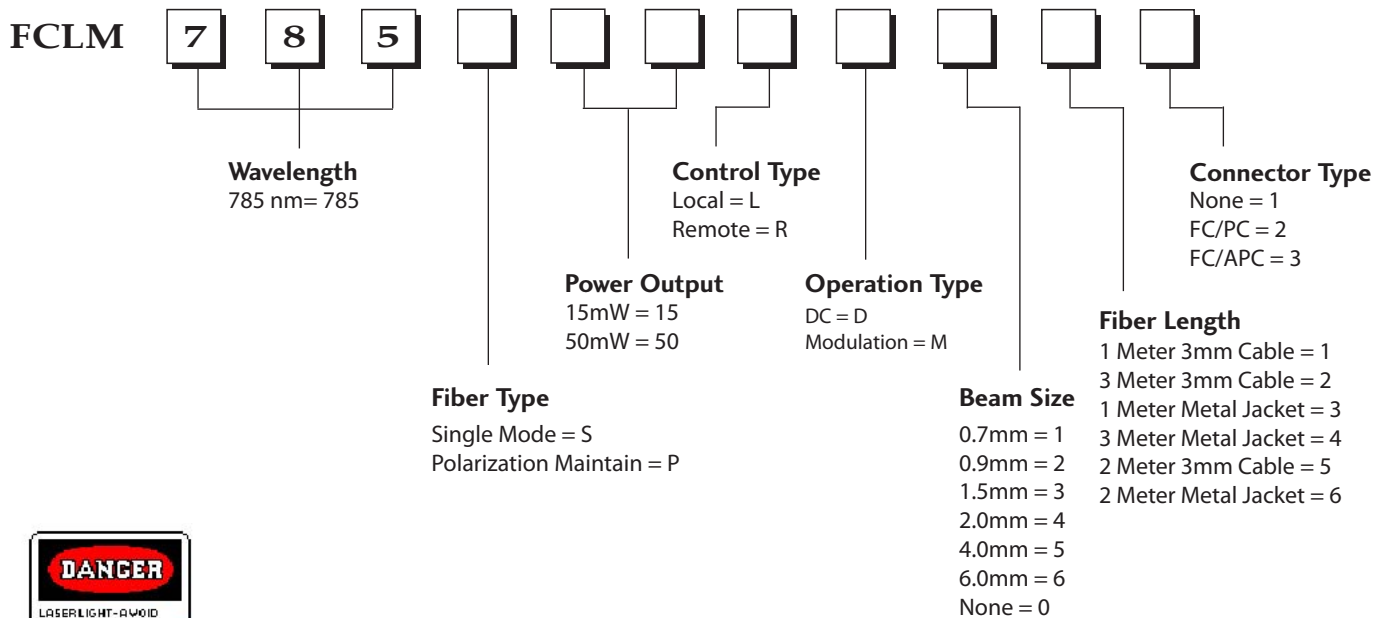
Mechanical Drawing / Package Dimensions (dimension in mm)



NOTES: (UNLESS OTHERWISE SPECIFIED)
 1. ALL DIMENSIONS ARE IN MILLIMETER.
 2. MAT'L AND FINISH: AL6061, ANODIZED.
 3. TOL: .X = ±0.2, .XX = ±0.1

Ordering Information

Oplink can provide a remarkable range of customized optical solutions. For detail, please contact Oplink's OEM design team or account manager for your requirements and ordering information (510) 933-7200.



This component does not comply with the Federal Regulations (21 CFR Subchapter1) as administered by the Center for Devices and Radiological health. Purchaser acknowledges that his/her products must comply with these regulations before they can be sold to a customer. The output light from this product is harmful to a human body even if it is invisible. Avoid looking at the output of this product directly, or through a lens during operation. Observance of operation should be through a TV camera or related equipment. Refer to IEC 825-1 and 21 CFR 1040.10-1040.11 as a radiation safety standard for laser products.

Oplink follows a policy of continuous product improvement. Specifications are subject to change without prior notice. The module's warranty is 1 year.

R03.20090331