

TECHNICAL DESCRIPTION / APPLICATION

MULTI-MIX[®] FILTERS

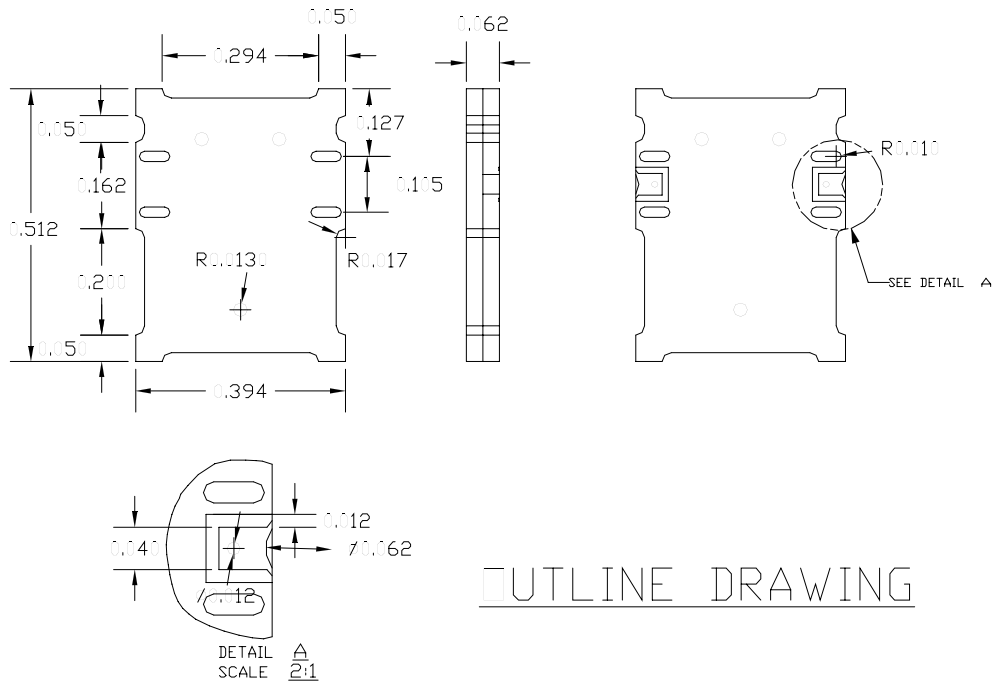
Merrimac's FBGI Series bandpass filters combine the features of Merrimac's patented Multi-Mix[®] multilayer fabrication technology with the ability to operate to three times their center frequency without reentrant spurious passbands. They typically offer better overall performance than filters designed to the same specification with conventional filter fabrication techniques.



GENERAL SPECIFICATIONS

FILTER TYPE	CENTER FREQUENCY	3 dB OPERATING BANDWIDTH (MHz MIN)	INSERTION LOSS @ CENTER FREQUENCY	REJECTION	VSWR
BANDPASS	3440 MHz Nominal	300	2.0 dB (MAX)	60 dB MIN. @ 940MHz 60 dB MIN. @ 5940 MHz	2.0:1 MAX @ 3440 ± 50 MHz
SIZE (INCHES)		WEIGHT (GRAMS/OZ.)	RF INTERFACE/ CONNECTIONS	OPERATING TEMPERATURE	
0.512 x 0.394 x 0.062		0.9 / 0.03	SMT	-55° - +85° C	

PACKAGE OUTLINE



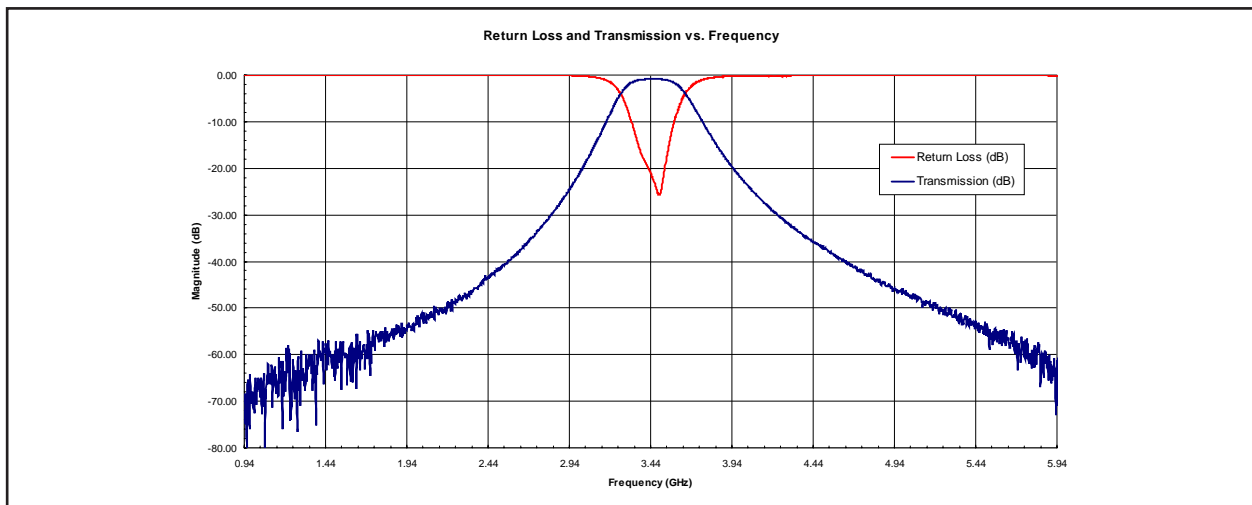
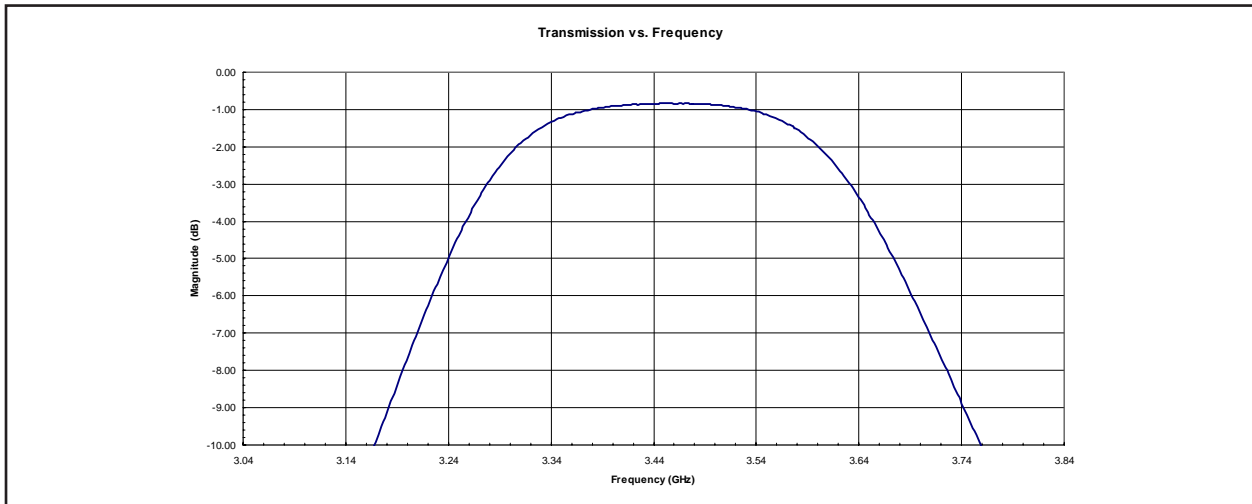
THE MULTI-MIX MICROTECHNOLOGY[®] GROUP IS ISO 9001:2000 REGISTERED



U.S. patent 6,099,677 and other patents pending.

TYPICAL PERFORMANCE

FBGI-3.44G



THE MULTI-MIX MICROTECHNOLOGY® GROUP IS ISO 9001:2000 REGISTERED

Merrimac Industries / 41 Fairfield Place, West Caldwell, NJ 07006
Tel: 1.888.434.MMFM / Fax: 973.882.5990 / Email: MMFM@merrimacind.com / www.Multi-Mix.com