



F_AS-1W Series

1W, FIXED INPUT ISOLATED & UNREGULATED SINGLE OUTPUT DC-DC CONVERTER

multi-country patent protection **RoHS**

FEATURES

- Efficiency up to 80%
- SIP Package
- Single Output Voltage
- 3kVDC Isolation
- Temperature Range: -40°C to +85°C
- Internal SMD construction
- Industry Standard Pinout
- No Heat sink Required
- No External Component Required
- RoHS Compliance

APPLICATIONS

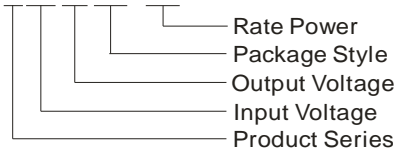
The F_AS-1W Series are specially designed for applications where a single power supply is highly isolated from the input power supply in a distributed power supply system on a circuit board.

These products apply to:

- 1) Where the voltage of the input power supply is fixed (voltage variation $\leq \pm 10\%$);
 - 2) Where isolation is necessary between input and output (isolation voltage $\leq 3000\text{VDC}$);
 - 3) Where the regulation of the output voltage and the output ripple and noise are not demanding.
- Such as: purely digital circuits, ordinary low frequency analog circuits and IGBT power device driven circuits, etc.

MODEL SELECTION

F0505AS-1W



MORNSUN Science & Technology co., Ltd.

Address: 2th floor 6th building, Huangzhou Industrial District, Guangzhou, China
 Tel: 86-20-38601850
 Fax: 86-20-38601272
[Http://www.mornsun-power.com](http://www.mornsun-power.com)

PRODUCT PROGRAM

Part Number	Input		Output		Efficiency (% Typ)	
	Voltage (VDC)		Voltage (VDC)	Current (mA)		
	Nominal	Range		Max		Min
F0305AS-1W	3.3	3.0-3.6	5	200	20	74
F0503AS-1W	5	4.5-5.5	3.3	303	30	73
F0505AS-1W			5	200	20	72
F0509AS-1W			9	111	12	76
F0512AS-1W			12	83	9	79
F0515AS-1W			15	67	7	78
F1205AS-1W	12	10.8-13.2	5	200	20	70
F1209AS-1W			9	111	12	75
F1212AS-1W			12	83	9	78
F1215AS-1W			15	67	7	79
F1505AS-1W	15	13.5-16.5	5	200	20	69
F2405AS-1W	24	21.6-26.4	5	200	20	71
F2409AS-1W			9	111	12	76
F2412AS-1W			12	83	9	78
F2415AS-1W			15	67	7	80

ISOLATION SPECIFICATIONS

Item	Test condition	Min	Typ	Max	Units
Isolation voltage	Tested for 1 minute and 1mA max	3000			VDC
Isolation resistance	Test at 500VDC	1000			MΩ
Isolation capacitance			60		pF

OUTPUT SPECIFICATIONS

Item	Test condition	Min	Typ	Max	Units
Output power		0.1		1	W
Line regulation	For Vin change of 1%(3.3V output)			± 1.5	%
	For Vin change of 1%(others)			± 1.2	
Load regulation	10% to 100% full load(3.3V output)		12	20	
	10% to 100% full load(5V output)		10	15	
	10% to 100% full load(9V output)		8.3	15	
	10% to 100% full load(12V output)		6.8	15	
	10% to 100% full load(15V output)		6.3	15	
Output voltage accuracy		See tolerance envelope graph			
Temperature drift	100% full load			0.03	%/°C
Ripple & Noise*	20MHz bandwidth		50	100	mVp-p
Switching frequency	Full load, nominal input voltage		100		KHz

*Test ripple and noise by "parallel cable" method. See detailed operation instructions at Testing of Power Converter section, application notes.

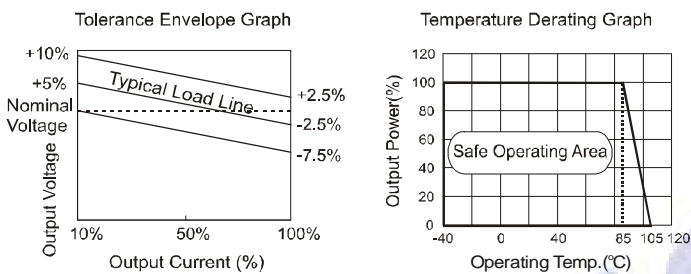
Note:

1. All specifications measured at TA=25°C, humidity<75%, nominal input voltage and rated output load unless otherwise specified.
2. See below recommended circuits for more details.

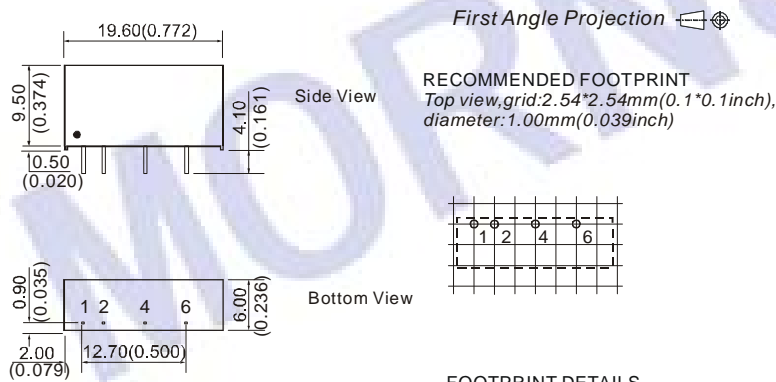
COMMON SPECIFICATION					
Item	Test condition	Min	Typ	Max	Units
Storage humidity				95	%
Operating temperature		-40		85	°C
Storage temperature		-55		125	
Temp. rise at full load			15	25	
Lead temperature	1.5mm from case for 10 seconds			300	
Short circuit protection*				1	s
Cooling		Free air convection			
Case material		Plastic (UL94-V0)			
MTBF		3500			K hours
Weight			2.1		g

*Supply voltage must be discontinued at the end of short circuit duration.

TYPICAL CHARECTERISTICS



OUTLINE DIMENSIONS & FOOTPRINT DETAILS



Note:
 Unit:mm(inch)
 Pin section:0.50*0.30mm(0.020*0.012inch)
 Pin section tolerances:±0.10mm(±0.004inch)
 General tolerances:±0.25mm(±0.010inch)

Pin	Function
1	Vin
2	GND
4	0V
6	+Vo

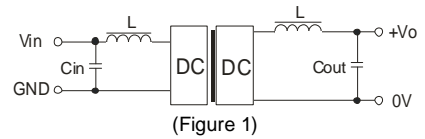
APPLICATION NOTE

Requirement On Output Load

To ensure this module can operate efficiently and reliably, a minimum load is specified for this kind of DC/DC converter in addition to a maximum load (namely full load). During operation, make sure the specified range of input voltage is not exceeded, the minimum output load is **not less than 10%** of the full load, and that this product should never be operated under no load! If the actual output power is very small, please connect a resistor with proper resistance at the output end in parallel to increase the load, or use our company's products with a lower rated output power.

Recommended circuit

If you want to further decrease the input/output ripple, an "LC" filtering network may be connected to the input and output ends of the DC/DC converter, see (Figure 1).



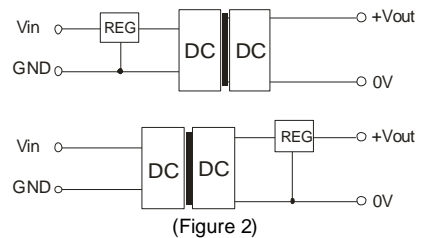
It should also be noted that the inductance and the frequency of the "LC" filtering network should be staggered with the DC/DC frequency to avoid mutual interference. However, the capacitance of the output filter capacitor must be proper. If the capacitance is too big, a startup problem might arise. For every channel of output, provided the safe and reliable operation is ensured, the recommended capacitance of its filter capacitor sees (Table 1).

EXTERNAL CAPACITOR TABLE (Table 1)			
Vin (VDC)	Cin (uF)	Single Vout (VDC)	Cout (uF)
3.3/5	4.7	3.3/5	10
12	2.2	9	4.7
15	2.2	12	2.2
24	1	15	1

It's not recommended to connect any external capacitor in the application field with less than 0.5 watt output.

Output Voltage Regulation and Over-voltage Protection Circuit

The simplest device for output voltage regulation, over-voltage and over-current protection is a linear voltage regulator with overheat protection that is connected to the input or output end in series (Figure 2).



Overload Protection

Under normal operating conditions, the output circuit of these products has no protection against overload. The simplest method is to connect a self-recovery fuse in series at the input end or add a circuit breaker to the circuit.

No parallel connection or plug and play.