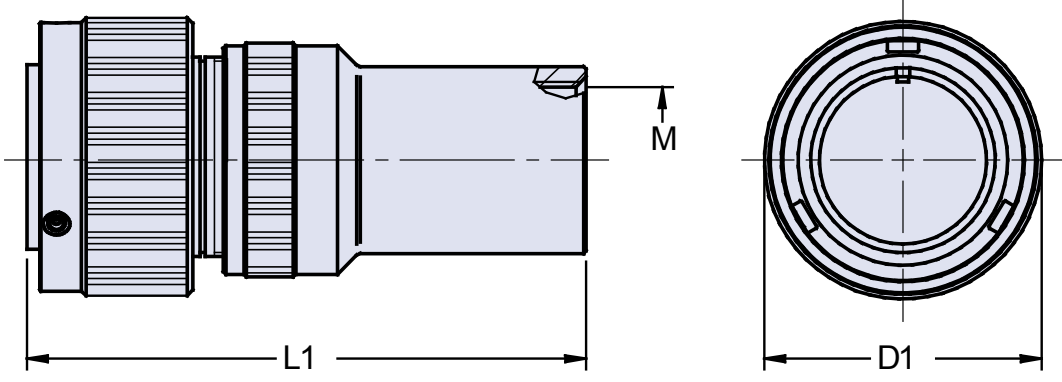
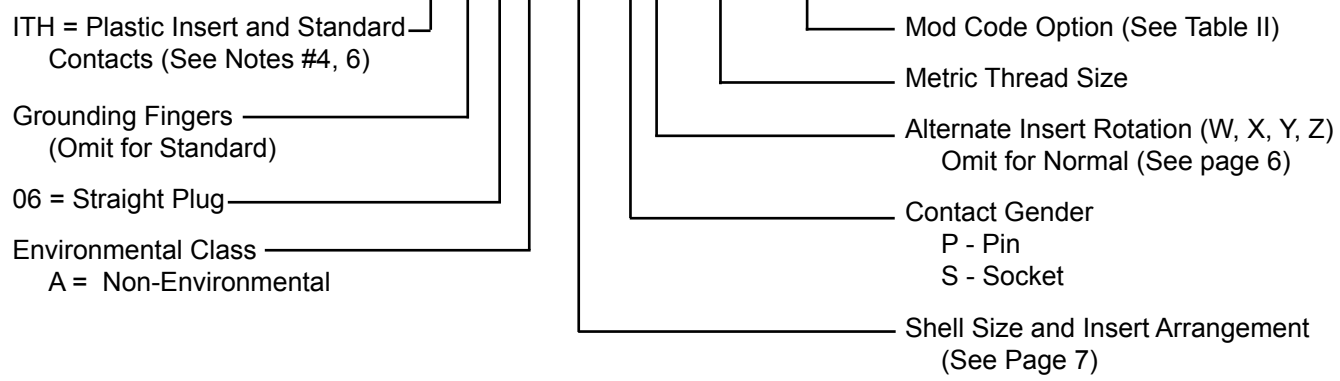




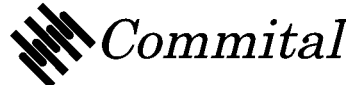
ITH 06 A (M)
Straight Plug Connector
with Metric Thread Cable Gland Backshell

ITH G 06 A 20-21 P Y M32x1.5 XXX



Application Notes:

1. Straight plug connector with metric thread cable gland backshell.
2. Environmental class A (non-environmental) not supplied with grommet.
3. Standard shell materials configuration consists of aluminum alloy with cadmium free conductive plating and black passivation.
4. Standard contact material consists of copper alloy with gold plating.
5. A broad range of other front and rear connector accessories are available. See our website and/or contact the factory for complete information.
6. Standard insert material is Low fire hazard plastic UL94V0, IAW Article 3, NFF16-102, 356833.
7. Metric cable glands not included.



**ITH 06 A (M)
Straight Plug Connector
with Metric Thread Cable Gland Backshell**



TABLE I: DIMENSIONS

| Shell size | D1 ±0.2 | M thread | L1 Max. |
|------------|------------|----------|------------|
| 18 | 36.2 | M20x1.5 | 89.0 |
| 20 | 39.8 | M25x1.5 | 89.0 |
| 22 | 43.0 | M25x1.5 | 89.0 |
| 24 | 46.4 | M32x1.5 | 89.0 |
| 28 | 53.0 | M32x1.5 | 93.0 |
| 32 | 60.0 | M36x1.5 | 93.0 |
| 36 | 66.2 | M40x1.5 | 105.0 |
| 40 | 72.3 | M48x1.5 | 105.0 |

TABLE II: MODIFICATION CODES

| CONTACT OPTIONS | |
|--|------------------------------|
| Sym | Description |
| B0 | Connector less contacts |
| Omit for standard version (Gold Plated Copper Alloy Contacts Supplied) | |
| FINISH OPTIONS | |
| Sym | Description |
| F2 | Bright Nickel Plating |
| F6 | Black Electrodeposited Paint |
| F8 | Olive Drab Zn-Co Plating |
| Omit for standard version (Cad free / black passivation Finish) | |

