

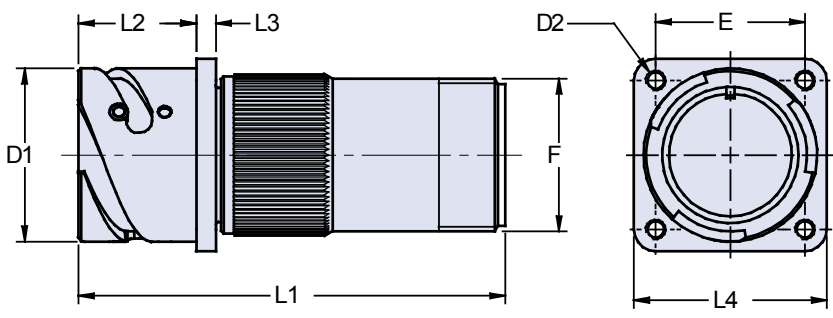


ITH 030 A and ITH 030 R
Rear Box Mount Receptacle with Accessory Backshell
and a Selection of Cable Clamps

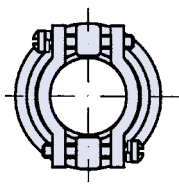
ITH 030 A 28-21 P Y XXX

ITH = Plastic Insert and Standard Contacts (See Notes #4, 6)
 030 = Rear Mounting Receptacle with Threaded Holes
 Environmental Class
 A - Non-Environmental
 R - Environmental

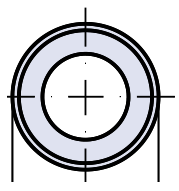
Mod Code Option (See Table II)
 Alternate Insert Rotation (W, X, Y, Z)
 Omit for Normal (See Page 6)
 Contact Gender
 P - Pin
 S - Socket
 Shell Size and Insert Arrangement (See Page 7)



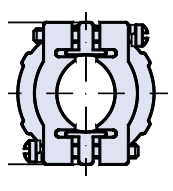
Order Cable Clamps and Sleeves Separately or Use Mod Codes (Table II) to Add Clamp to This Assembly.



IT 3057 C
Cable Clamp



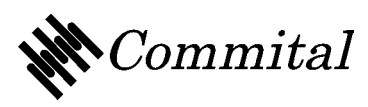
IT 3420
Neoprene Sleeve



IT 3057 A
Cable Clamp

Application Notes:

- Box mount receptacle connector with square flange for rear panel mounting and backshell for use with cable clamps or BR backshells. Threaded mounting holes.
- Environmental class A (non-environmental) not supplied with grommet; Class R (environmental) supplied with grommet.
- Standard shell materials configuration consists of aluminum alloy with cadmium free conductive plating and black passivation.
- Standard contact material consists of copper alloy with gold plating.
- A broad range of other front and rear connector accessories are available. See our website and/or contact the factory for complete information.
- Standard insert material is Low fire hazard plastic UL94V0, IAW Article 3, NFF16-102, 356833.



ITH 030 A and ITH 030 R
Rear Box Mount Receptacle with Accessory Backshell
and a Selection of Cable Clamps



TABLE I: DIMENSIONS

Shell Size	D1 +0 -0.15	D2 FF	E ±0.1	F thread	L1 Max.	L2 +0.4 -0	L3 ±0.2	L4 ±0.3
18	30.8	M4	27.0	1.0000 - 20UNEF	89.0	23.05	4.0	35.0
20	34.2	M4	29.4	1.1875 - 18UNEF	89.0	23.05	4.0	38.0
22	37.4	M4	31.8	1.1875 - 18UNEF	89.0	23.05	4.0	41.0
24	40.9	M4	34.9	1.4375 - 18UNEF	89.0	23.05	4.0	44.5
28	46.7	M5	39.7	1.4375 - 18UNEF	93.0	24.05	4.0	50.8
32	53.4	M5	44.5	1.7500 - 18UNS	93.0	24.05	4.0	57.0
36	59.6	M5	49.2	2.0000 - 18UNS	105.0	24.05	4.0	63.5
40	65.5	M5	55.5	2.2500 - 16UN	105.0	24.05	4.0	69.9

TABLE II: MODIFICATION CODES

CONTACT OPTIONS		ACCESSORY OPTIONS	
Sym	Description		
B0	Connector less contacts	N0	Connector less backshell
Omit for standard version (Gold Plated Copper Alloy Contacts Supplied)		N1	Connector with IT 3057 A cable clamp
		N5	Connector with IT 3057 C cable clamp
FINISH OPTIONS		N12	Connector with IT 3057 A cable clamp and IT 3420 neoprene sleeve
		Omit for standard version	
Sym	Description		
F2	Bright Nickel Plating		
F6	Black Electrodeposited Paint		
F8	Olive Drab Zn-Co Plating		
Omit for standard version (Cad free / black passivation Finish)			

