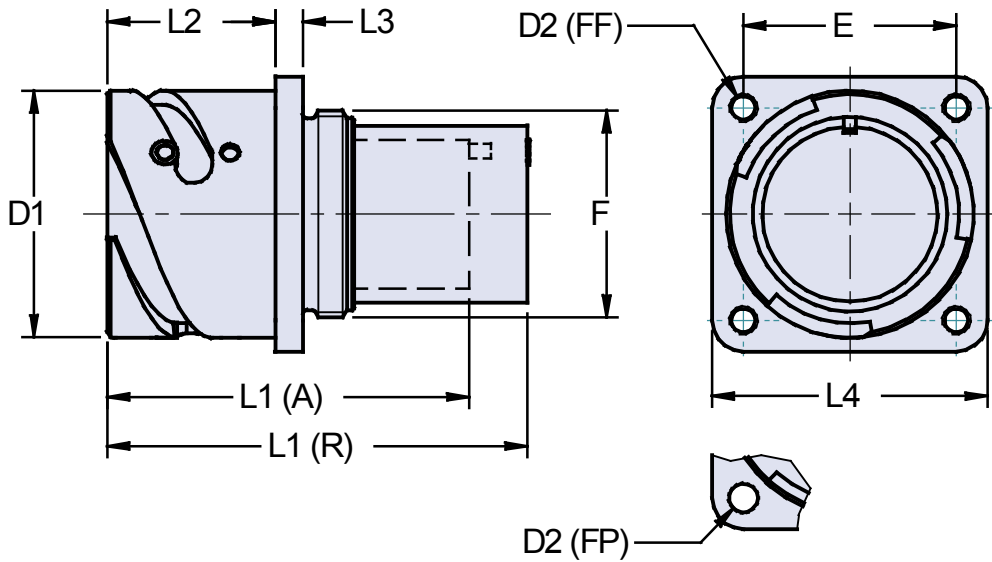


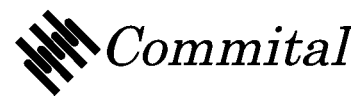
ITH 03FF A 28-21 P Y XXX

- ITH = Plastic Insert and Standard Contacts (See Notes #4, 6)
- 03FF = Rear Mounting Receptacle with Threaded Holes
- 03FP = Rear Mounting Receptacle with Through Holes
- Environmental Class
A - Non-Environmental
R - Environmental
- Mod Code Option (See Table II)
- Alternate Insert Rotation (W, X, Y, Z)
Omit for Normal (See Page 6)
- Contact Gender
P - Pin
S - Socket
- Shell Size and Insert Arrangement (See Page 7)



Application Notes:

1. Box mount receptacle connector with square flange for front or rear panel mounting. Optional threaded or through mounting holes.
2. Environmental class A (non-environmental) not supplied with grommet; Class R (environmental) supplied with grommet.
3. Standard shell materials configuration consists of aluminum alloy with cadmium free conductive plating and black passivation.
4. Standard contact material consists of copper alloy with gold plating.
5. A broad range of other front and rear connector accessories are available. See our website and/or contact the factory for complete information.
6. Standard insert material is Low fire hazard plastic UL94V0, IAW Article 3,



**ITH 03FF A and ITH 03FP A
ITH 03FF R and ITH 03FP R
Box Mount Receptacle Assembly
for Rear Panel Mounting**



TABLE I: DIMENSIONS

| Shell Size | D1 | D2 | | E | F thread | L1 | | L2 | L3 | L4 |
|------------|-------------|----|-----------|------|-----------------|-----------|-----------|------------|------|------|
| | +0 -0.15 | FF | FP H13 | ±0.1 | | A ±0.3 | R ±0.3 | +0.4 -0 | ±0.2 | ±0.3 |
| 18 | 30.8 | M4 | 3.2 | 27.0 | 1.0000 - 20UNEF | 50.0 | 58.0 | 23.05 | 4.0 | 35.0 |
| 20 | 34.2 | M4 | 3.2 | 29.4 | 1.1250 - 18UNEF | 50.0 | 58.0 | 23.05 | 4.0 | 38.0 |
| 22 | 37.4 | M4 | 3.2 | 31.8 | 1.2500 - 18UNEF | 50.0 | 58.0 | 23.05 | 4.0 | 41.0 |
| 24 | 40.9 | M4 | 3.7 | 34.9 | 1.3750 - 18UNEF | 50.0 | 58.0 | 23.05 | 4.0 | 44.5 |
| 28 | 46.7 | M5 | 3.7 | 39.7 | 1.6250 - 18UNEF | 50.0 | 58.0 | 24.05 | 4.0 | 50.8 |
| 32 | 53.4 | M5 | 4.3 | 44.5 | 1.8750 - 16UN | 50.0 | 58.0 | 24.05 | 4.0 | 57.0 |
| 36 | 59.6 | M5 | 4.3 | 49.2 | 2.0625 - 16UN | 50.0 | 58.0 | 24.05 | 4.0 | 63.5 |
| 40 | 65.5 | M5 | 4.3 | 55.5 | 2.3125 - 16UN | 50.0 | 58.0 | 24.05 | 4.0 | 69.9 |

TABLE II: MODIFICATION CODES

| CONTACT OPTIONS | |
|--|------------------------------|
| Sym | Description |
| B0 | Connector less contacts |
| Omit for standard version (Gold Plated Copper Alloy Contacts Supplied) | |
| FINISH OPTIONS | |
| Sym | Description |
| F2 | Bright Nickel Plating |
| F6 | Black Electrodeposited Paint |
| F8 | Olive Drab Zn-Co Plating |
| Omit for standard version (Cad free / black passivation Finish) | |

