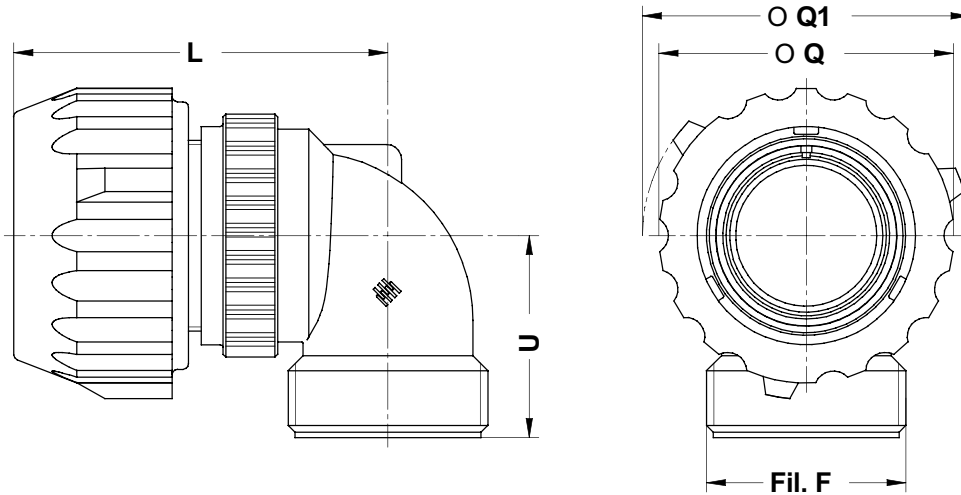




**ITS 3108 (AGG) and ITS 3108 (RGG)
ITS 4108 (AGG) and ITS 4108 (RGG)
90° Plug Connector with Rubber-Coated Coupling Nut**

FR ITS G 31 08 AGG 20-27 P Y XXX

- Fire Resistant Inserts (See Note 7) ————— FR
- Bayonet Coupling ————— ITS
- Grounding Fingers (Omit for Standard) ————— G
- Contact Type ————— 31
31 - Solder Contacts
41 - Crimp Contacts
- 08 - 90° Plug Assembly ————— 08
- Connector/Backshell Class ————— AGG
AGG - Non-Environmental
RGG - Environmental; Supplied with Grommet
- Mod Code Option (See Table II) ————— XXX
- Alternate Insert Rotation (W, X, Y, Z) Omit for Normal (See Intro 20-21) ————— Y
- Contact Gender ————— P
P - Pin
S - Socket
- Shell Size and Insert Arrangement (See Intro 6-25) ————— 20-27



Application Notes:

1. 90° plug connector with rubber-coated coupling nut.
2. Connector/Backshell class "AGG" (no grommet supplied) or "RGG" (insulating grommet supplied).
3. Standard materials configuration consists of aluminum alloy with cadmium olive drab finish.
4. Standard contact material consists of copper alloy with silver plating (Gold plating available, see mod codes).
5. A broad range of additional connector accessories are available. See our website and/or contact the factory for complete information.
6. Standard insert material is synthetic rubber.
7. Add "FR" prefix to front of part number to specify fire-resistant insert elastomers.



**ITS 3108 (AGG) and ITS 3108 (RGG)
ITS 4108 (AGG) and ITS 4108 (RGG)
90° Plug Connector with Rubber-Coated Coupling Nut**



TABLE I: DIMENSIONS

Dimensione Guscio Shell size	Filetto F F thread	L Max.	ØQ ±0.5	ØQ1 ±0.5	U ±0.2
10 SL	0.6250 - 24UNEF	42	28.6	33.5	25.0
14 S	0.7500 - 20UNEF	44	35.0	42.0	26.5
16 S	0.8750 - 20UNEF	48	38.0	45.0	27.0
16	0.8750 - 20UNEF	57	38.0	45.0	27.0
18	1.0000 - 20UNEF	59	43.5	49.0	30.0
20	1.1875 - 18UNEF	64	46.0	51.5	32.0
22	1.1875 - 18UNEF	64	50.5	56.0	32.0
24	1.4375 - 18UNEF	69	54.0	60.0	37.0
28	1.4375 - 18UNEF	69	61.0	67.0	38.0
32	1.7500 - 18UNS	74	68.0	76.0	45.5
36	2.0000 - 18UNS	77	74.0	82.0	47.2
40	2.2500 - 16UN	80	80.0	88.0	52.0

TABLE II: MODIFICATION CODES

CONTACT OPTIONS	
Sym	Description
B0	Connector less contacts
B1	Connector with gold plated contacts
Omit for standard version (silver plated)	

