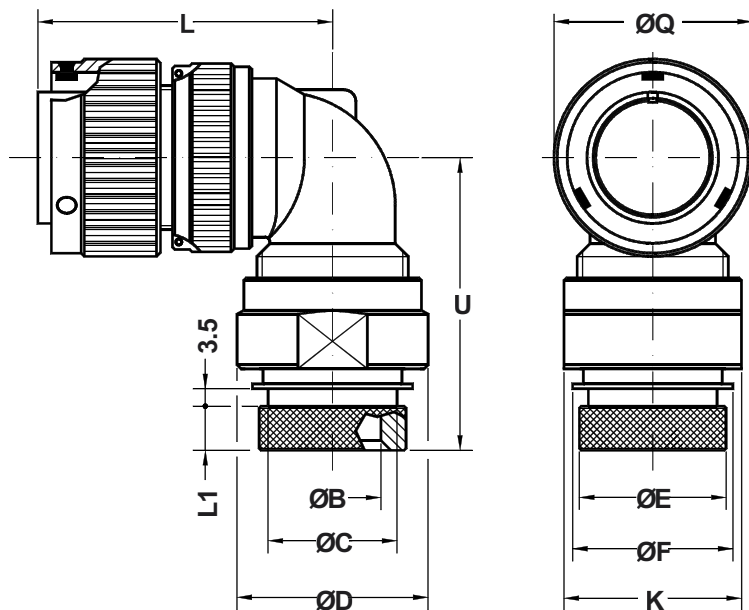
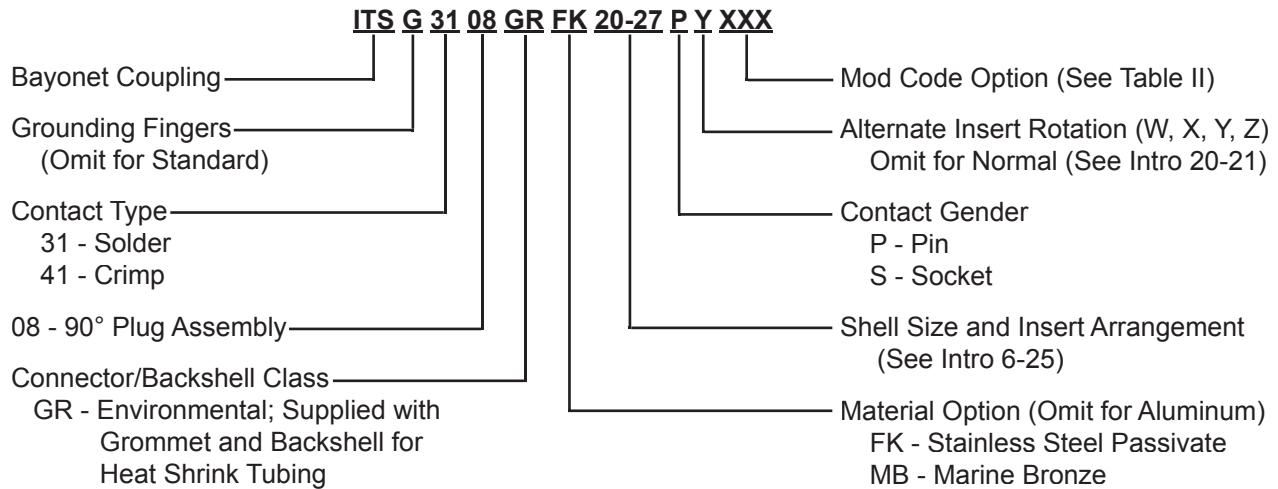


ITS 3108 (GR) and ITS 4108 (GR) Cylindrical Plug Assembly with 90° Backshell and Rotating Clamp Nut Backshell for Heat Shrink Tubing



Application Notes:

1. 90° plug with backshell for heat-shrink tubing. Rotating coupling nut supplied
2. Connector/Backshell Class "GR" (environmental)—Wire sealing grommet supplied.
3. Standard materials configuration consists of aluminum alloy with cadmium olive drab finish.
4. Standard contact material consists of copper alloy with silver plating (Gold plating available, see mod codes).
5. A broad range of additional connector accessories are available. See our website and/or contact the factory for complete information.
6. Standard insert material is synthetic rubber. Add "FR" prefix to front of part number to specify fire resistant inserts.



**ITS 3108 (GR) and ITS 4108 (GR)
Cylindrical Plug Assembly with 90° Backshell
and Rotating Clamp Nut Backshell for Heat Shrink Tubing**



ITS
Reverse Bayonet
Assemblies

TABLE I: DIMENSIONS

| Shell Size | ØB min. | ØC ±0.1 | ØD +0 -0.1 | ØE ±0.2 | ØF ±0.2 | K Key | L Max. | L1 Max. | ØQ ±0.2 | U Max. |
|------------|------------|------------|------------------|------------|------------|-------|-----------|------------|------------|-----------|
| 10 SL | 8.5 | 13.0 | 22.0 | 15.5 | 17.0 | 20 | 40 | 8.2 | 22.6 | 51.0 |
| 14 S | 12.0 | 16.5 | 25.0 | 19.1 | 20.1 | 23 | 42 | 8.2 | 29.0 | 52.5 |
| 16 S | 14.5 | 21.5 | 28.0 | 23.9 | 23.5 | 26 | 46 | 8.2 | 31.6 | 53.0 |
| 16 | 14.5 | 21.5 | 28.0 | 23.9 | 23.5 | 26 | 55 | 8.0 | 31.6 | 50.0 |
| 18 | 17.5 | 21.7 | 31.0 | 23.9 | 26.5 | 29 | 57 | 8.0 | 36.2 | 56.0 |
| 20 | 19.5 | 26.0 | 36.0 | 29.6 | 30.5 | 34 | 62 | 8.9 | 39.8 | 57.5 |
| 22 | 22.0 | 26.0 | 38.0 | 29.6 | 33.6 | 36 | 62 | 8.9 | 43.0 | 57.5 |
| 24 | 25.0 | 34.5 | 41.0 | 37.8 | 36.1 | 39 | 67 | 9.2 | 46.4 | 62.5 |
| 28 | 29.0 | 34.5 | 48.0 | 37.8 | 41.4 | 46 | 67 | 9.2 | 53.0 | 64.5 |
| 32 | 34.0 | 43.6 | 54.0 | 47.8 | 48.6 | 52 | 72 | 11.7 | 60.0 | 72.0 |
| 36 | 38.5 | 43.6 | 61.0 | 47.8 | 54.8 | 59 | 75 | 11.7 | 66.2 | 76.0 |
| 40 | 48.0 | 52.6 | 68.0 | 57.8 | 60.9 | 66 | 78 | 11.7 | 72.3 | 81.0 |

TABLE II: MODIFICATION CODES

| CONTACT OPTIONS | |
|-----------------|--|
| Sym | Description |
| B0 | Connector Less Contacts |
| B1 | Connector with Gold Plated Contacts |
| | Omit for Standard Version (Silver Plated) |
| FINISH OPTIONS | |
| Sym | Description |
| F2 | Bright Nickel Plating |
| F6 | Black Electrodeposited Paint |
| F7 | Black Zn-Co Plating |
| F8 | Olive Drab Zn-Co Plating |
| | Omit for Standard Version (Cad/Olive Drab Finish) |

