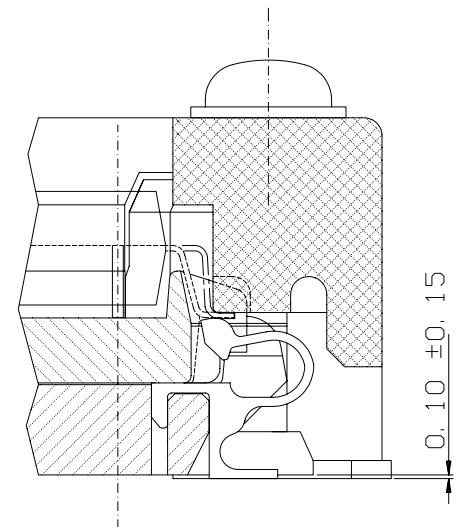
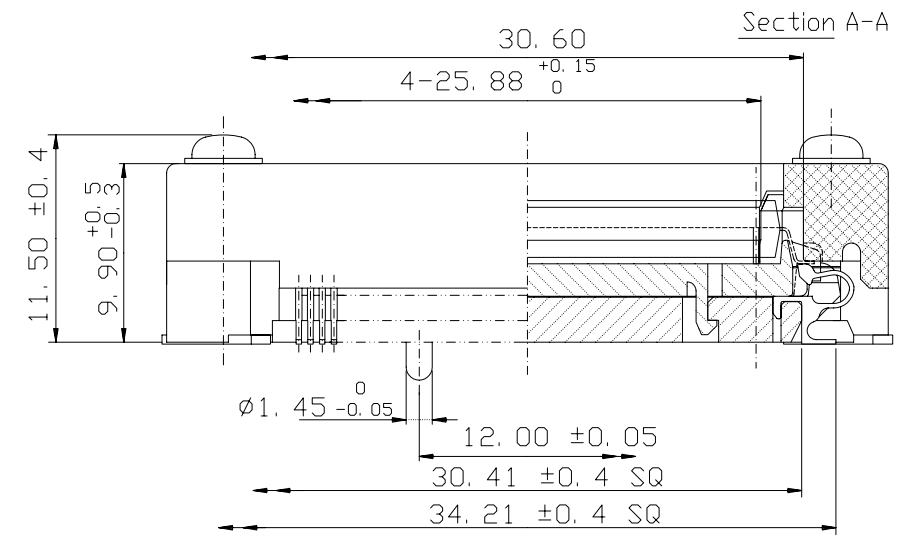
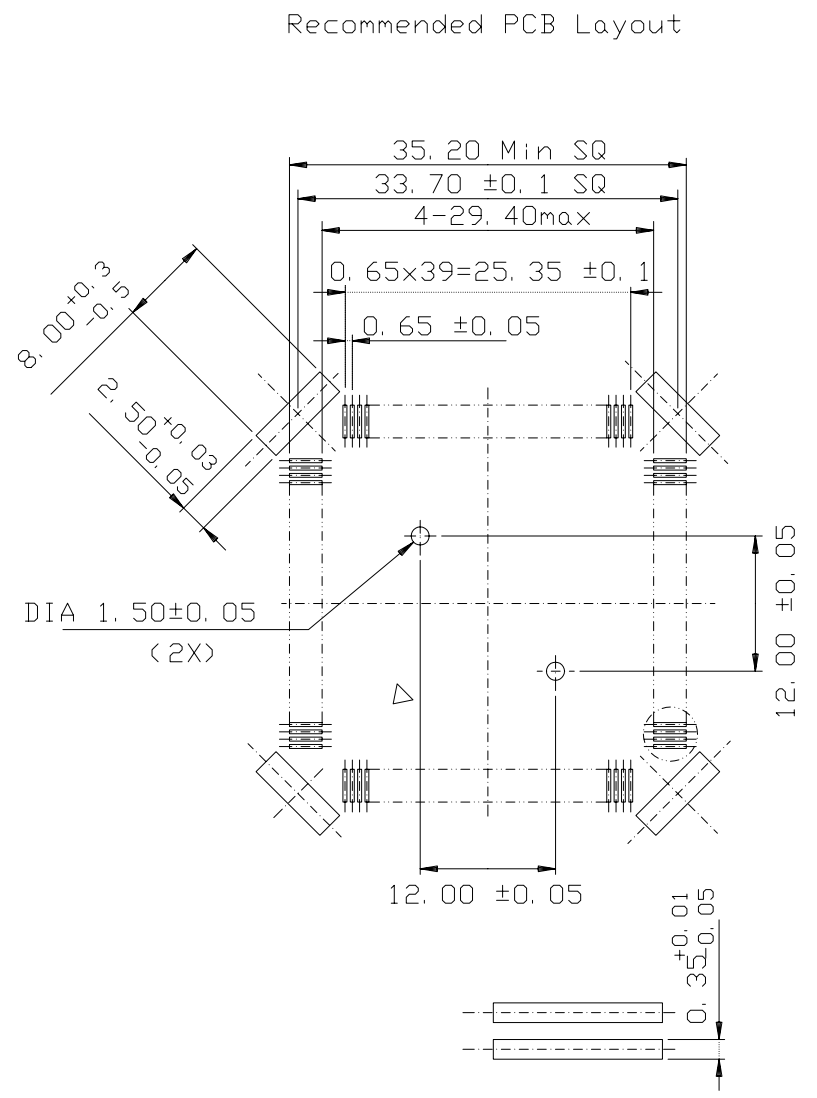
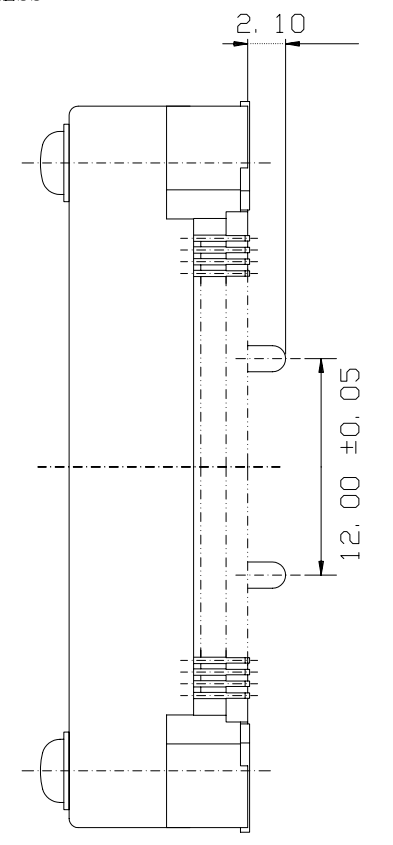
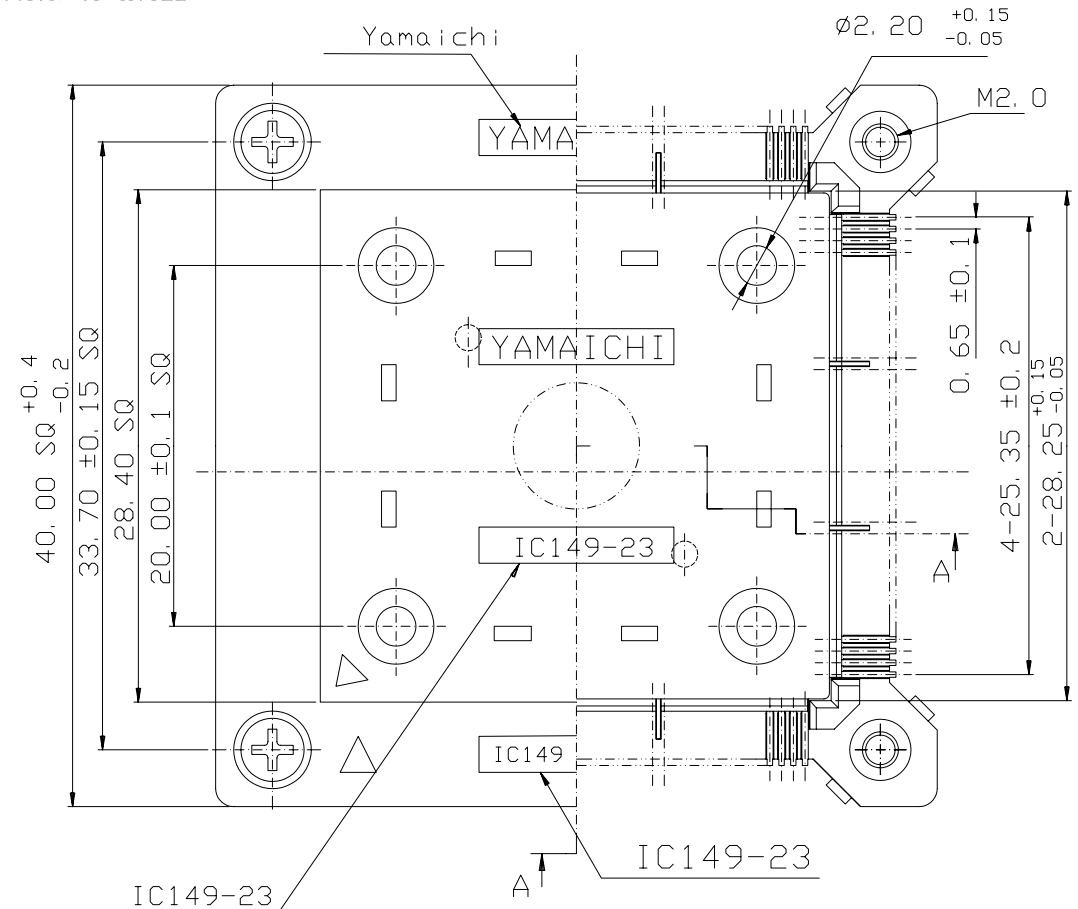


THE DRAWINGS AND INFORMATION CONTAINED HEREIN ARE THE EXCLUSIVE PROPERTY OF ACTEL.
 THE INFORMATION, DRAWINGS AND DESIGN CONCEPTS CONTAINED HEREIN ARE CONFIDENTIAL/PROPRIETARY, SHALL
 BE MAINTAINED IN STRICT CONFIDENCE, AND SHALL NOT BE RELEASED TO ANY THIRD PARTY WITHOUT THE EXPRESS
 WRITTEN PERMISSION OF ACTEL.

| ECN NO. | REV. | DESCRIPTION OF CHANGE | EFFECTIVE DATE | ORIGINATOR |
|---------|------|-----------------------|----------------|------------|
| 2007352 | 0 | Initial | 06/15/2007 | Lijie Zhao |



- Notes:
- Controlling dimensions are in millimeters.
 - Yamaichi socket number IC149-160-123-B5

UNLESS OTHERWISE SPECIFIED
 DIMENSIONS ARE IN MILLIMETERS

| | |
|-------------|---------|
| DECIMAL | ANGULAR |
| X.X ±0.10 | ±1° |
| X.XX ±0.05 | |
| X.XXX ±0.03 | |

MATERIAL: SEE NOTES
 FINISH: SEE NOTES
 DO NOT SCALE DRAWING

PROJECTION

| | |
|---------------------|----------|
| APPROVALS | DATE |
| DRAWN Lijie zhao | 06/15/07 |
| CHECKED | |
| ENG'R | |
| RELEASED | |

| | | | |
|--|------------------|--|--------------|
| Actel | | ACTEL CORPORATION 2061 Stierlin Court Mountain View, CA 94043-4655 | |
| TITLE | | TITLE | |
| SY-PQG166, Yamaichi lead free prototype socket drawing for PQG160 and PQG160 packages | | | |
| VENDOR NAME: | Yamaichi | ACTEL DWG. NUMBER | 1-07-11066 |
| SIZE | B | VENDOR DWG. NUMBER | N/A |
| VENDOR SID(PART) NUMBER | IC149-160-123-B5 | | |
| Actel Part#: | SY-PQG160 | SCALE: NONE | SHEET 1 OF 1 |