

**Type: CEP912**

**Product Description**

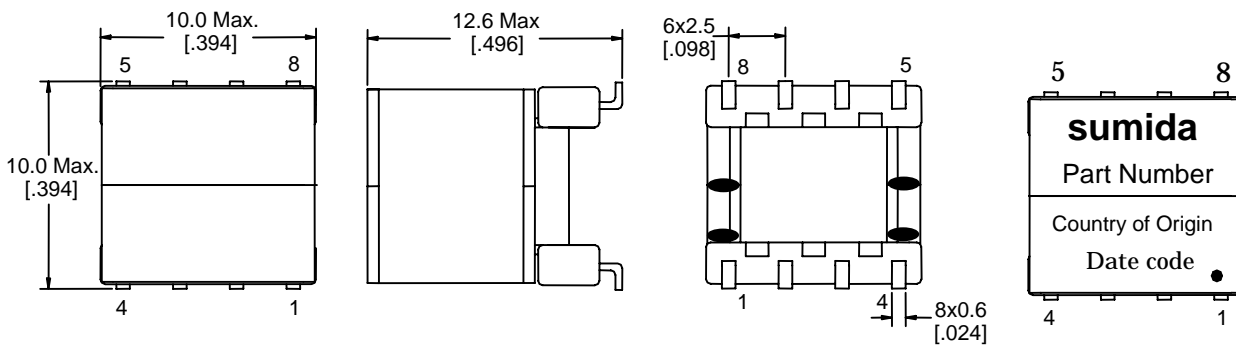
- 10.0 × 10.0mm Max.(L × W), 12.6mm Max. Height.
- In addition to the typical versions of parameters shown here, custom parameters are available to meet your exact requirements.



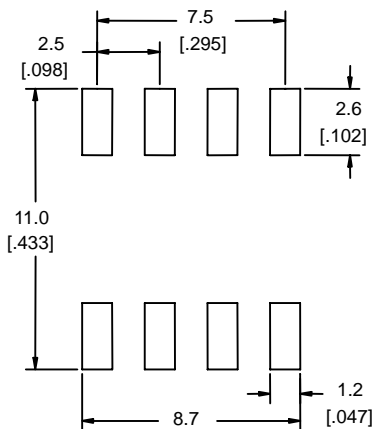
**Feature**

- xDSL line transformer.
- Ideally used in ADSL/VDSL Central Office, SHDSL&HDSL & splitter.
- Approved by Conexant, Centillium and TI.
- RoHS Compliance.

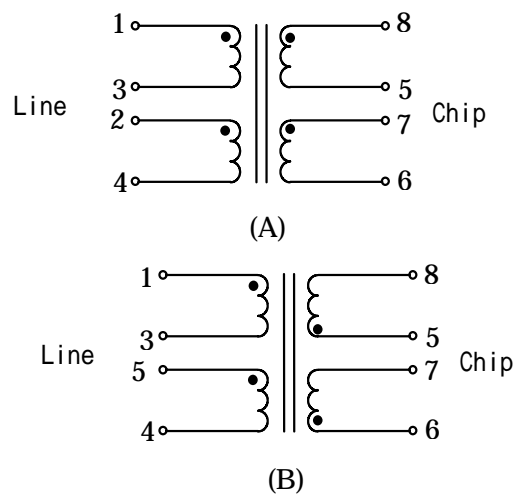
**Dimensions (mm)**



**Land Pattern (mm)**



**Schematics(Bottom)**



**Type: CEP912**
**Specification**

Part No.	Inductance (nom. $\mu$ H)	Turns ratio	THD (dB) (TYP.)	Insulation	Application
J10130	400	1.11:1		Basic	ADSL CO
J10163	1500	2:1	-86 (30k,5.3V)	Supplementary	ADSL CO
J10163	1500	2:1	-86 (30k,5.3V)	Supplementary	ADSL CO
J10174	1000	0.9:1	-75 (25k,2.9V)	Basic	ADSL CO
J10182	1075	1.15:1	-85.6 (25k,2V)	Basic	ADSL CO
J10183	1075	1.2:1	-87.4 (25k,2V)	Basic	ADSL CO
J10184	1075	1.25:1	-88.1 (25k,2V)	Basic	ADSL CO
J10187	160	0.92:1	-68 (10k,2V)	Basic	ADSL CO
J10207	480	1.3:1	-89 (25k,4V)	Supplementary	ADSL CO
J14110	450	2:1	-80(25k,2.0V)	Supplementary	VDSL
J14116	470	1.33:1	-80(25K,2.0V)	Supplementary	VDSL
J13101	3200	0.7:1	-78(5kHz 4.0Vrms)	Basic	SHDSL & HDSL
J13103	3200	0.472:1	-76(5kHz 4.0Vrms)	Basic	SHDSL & HDSL
J13104	3180	0.7:1	-75(5kHz 4.0Vrms)	Basic	SHDSL & HDSL
J15126	16400	1:1			Splitter
J15151	16000	1:1			Splitter