

Type: CEP911

Product Description

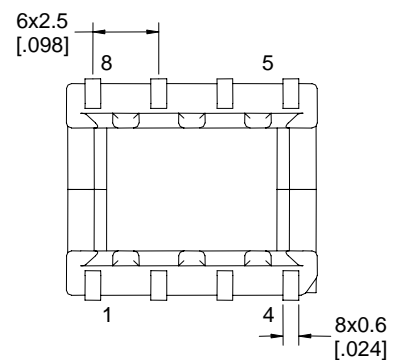
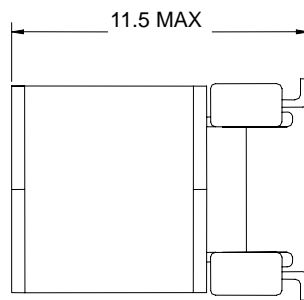
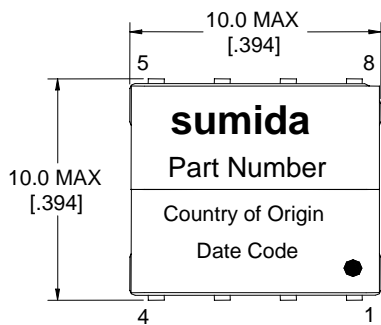
- 10.0 × 10.0mm Max.(L × W), 11.5mm Max. Height.

Feature

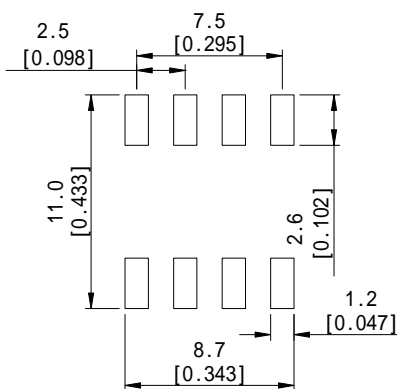
- xDSL line transformer.
- Ideally used in ADSL/VDSL Central Office.
- Approved by Conexant, Infineon and TI.
- RoHS Compliance.



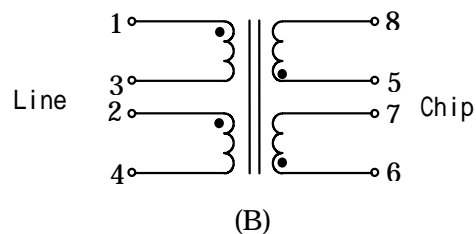
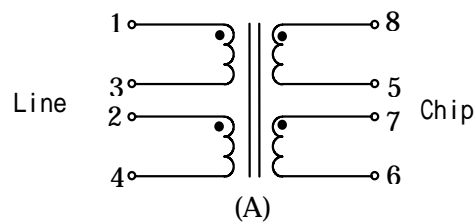
Dimensions (mm)



Land Pattern (mm)



Schematics(Bottom)



Type: CEP911
Specification

Part No.	Inductance (nom. μ H)	Turns ratio	THD (dB) (TYP.)	Insulation	Application
J10103L	750	0.95:1		Basic	ADSL CO
J10104L	85	0.95:1		Basic	ADSL CO
J10107L	1000	0.9:1	-82.8 (25k,2.0V)	Basic	ADSL CO
J10149	1200	2.3:1	-94.4 (40k,4V)	Supplementary	ADSL CO
J10163	1500	2:1	-78 (30k,5.3V)	Supplementary	ADSL CO
J10177	400	1:1.4	-93.4 (40k,2V)	Supplementary	ADSL CO
J10179	100	2:1	-85 (100k,2.55V)	Supplementary	ADSL CO
J10181	400	1.4:1	-93.4 (40k,2V)	Supplementary	ADSL CO
J10217	1200	3:1	-96 (40k,2V)	Basic	ADSL CPE
J10218	400	1.41:1	-93 (40k,2V)	Basic	ADSL CPE
J14103	800	2:1	-80.0 (50K,5V)	Basic	VDSL
J14106	470	1.33:1	-76.8(25K,2.0V)	Functional	VDSL
J14110	450	2:1	-73 (50k,5V)	Supplementary	VDSL
J14116	470	1.33:1	-76 (25k,2V)	Supplementary	VDSL