



Features

- Switching capacity up to 10A
- Small size and light weight
- Low coil power consumption, High contact load
- Strong resistance to shock and vibration

Contact Data

Contact Arrangement	2A, 2B, 2C = DPST N.O., DPST N.C., DPDT 3A, 3B, 3C = 3PST N.O., 3PST N.C., 3PDT 4A, 4B, 4C = 4PST N.O., 4PST N.C., 4PDT	Contact Resistance	< 50 milliohms initial
Contact Rating	2, &3 Pole : 10A @ 220VAC & 28VDC 4 Pole : 5A @ 220VAC & 28VDC	Contact Material	AgSnO ₂
		Max Switching Power	2C, & 3C : 280W, 2200VA 4C : 140W, 110VA
		Max Switching Voltage	300VAC
		Max Switching Current	10A

Coil Data DC Parameters

Coil Voltage VDC		Coil Resistance Ω +/- 10%	Pick Up Voltage VDC (max)	Release Voltage VDC (min)	Coil Power W	Operate Time ms	Release Time ms
Rated	Max		75% of rated voltage	10% of rated voltage			
6	6.6	40	4.50	.6	.90	25	25
12	13.2	160	9.00	1.2			
24	26.4	640	18.00	2.4			
36	39.6	1500	27.00	3.6			
48	52.8	2600	36.00	4.8			
110	121.0	11000	82.50	11.0			

Coil Data AC Parameters

Coil Voltage VAC		Coil Resistance Ω +/- 10%	Pick Up Voltage VAC (max)	Release Voltage VAC (min)	Coil Power W	Operate Time ms	Release Time ms
Rated	Max		80% of rated voltage	30% of rated voltage			
6	6.6	11.5	4.80	1.8	1.20	25	25
12	13.2	46	9.60	3.6			
24	26.4	184	19.20	7.2			
36	39.6	370	28.80	10.8			
48	52.8	735	38.40	14.4			
110	121.0	3750	88.00	33.0			
120	132.0	4550	96.00	36.0			
220	252.0	14400	176.00	66.0			

Dimensions shown in mm. Dimensions are shown for reference purposes only.

Specifications and availability subject to change without notice.

General Data

Electrical Life @ rated load	500K cycles (2 pole), 200K cycles (3 pole), 100K (4 pole) typical
Mechanical Life	20M cycles (2 pole), 10M cycles (3 & 4 pole), typical
Insulation Resistance	100M Ω min. @ 500VDC
Dielectric Strength, Coil to Contact	1500V rms min. @ sea level
Contact to Contact	1500V rms min. @ sea level
Shock Resistance	100m/s ² for 11 ms
Vibration Resistance	1.27mm double amplitude 10~40Hz
Terminal (Copper Alloy) Strength	10N
Operating Temperature	-40°C to +85°C
Storage Temperature	-40°C to +155°C
Solderability	260°C for 5 s
Weight	32g

Ordering Information

1. Series	J152	3C	T	12VDC
J152				
2. Contact Arrangement	2A, 2B, 2C			
	3A, 3B, 3C			
	4A, 4B, 4C			
3. Termination	T = Solder lugs / Plug-in			
	F = Solder lugs / Plug-in with Flange			
	P = PCB Pins			
4. Coil Voltage	6VDC	6VAC		
	12VDC	12VAC		
	24VDC	24VAC		
	36VDC	36VAC		
	48VDC	48VAC		
	110VDC	110VAC		
		120VAC		
		220VAC		
5. Optional LED	Blank = No indicator LED			
	D = With indicator LED			
6. Gold Option	Blank = Standard contacts			
	G = Gold over standard contacts			
7. Push to Test Option	Blank = Without push to test button			
	T = With push to test button			

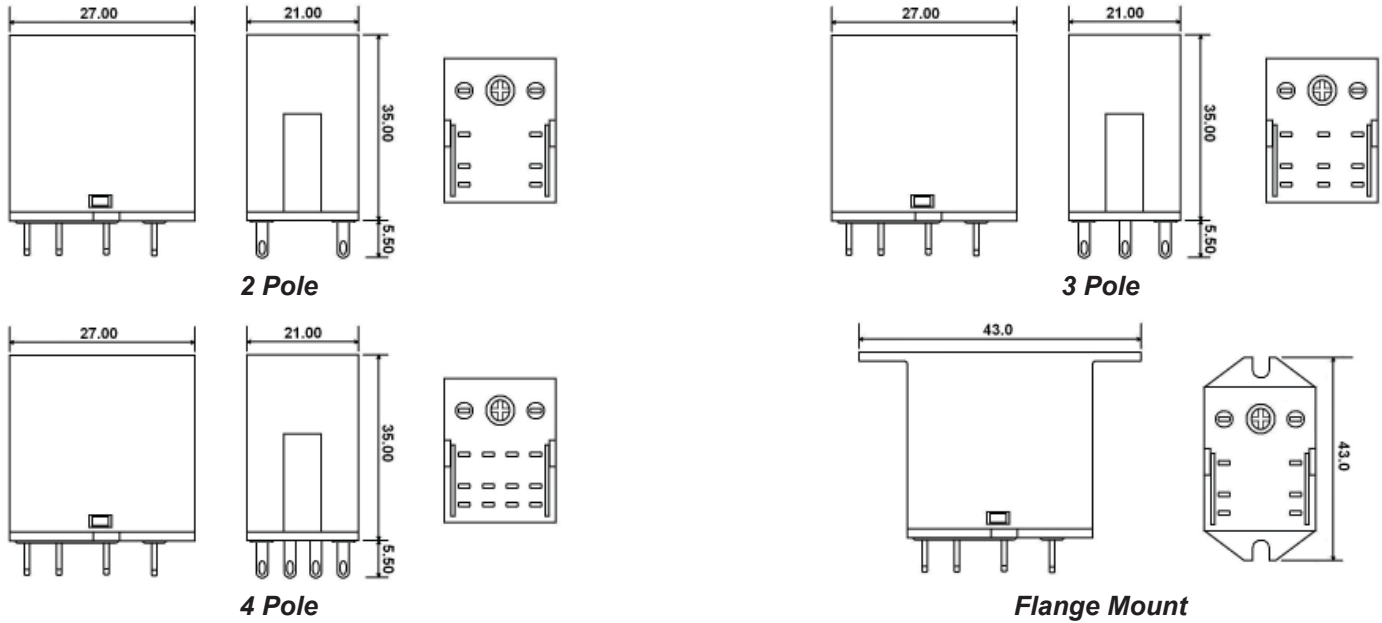
Specifications and availability subject to change without notice.

Dimensions shown in mm. Dimensions are shown for reference purposes only.

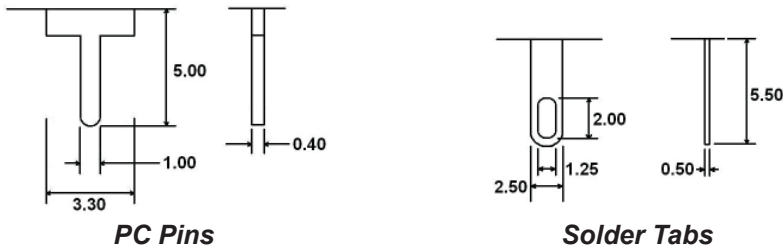
J152

Dimensions

Units = mm

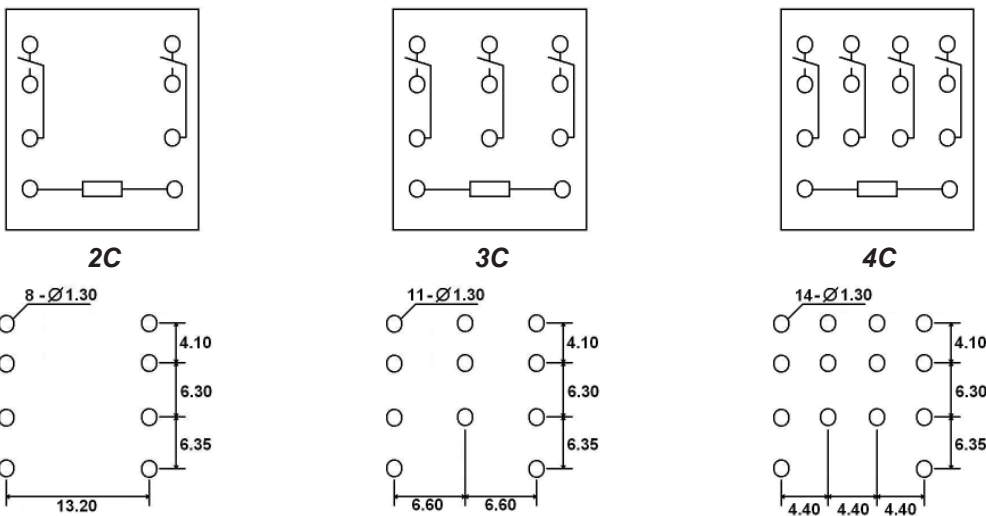


Termination Options



Schematics & PC Layouts

Bottom Views



Dimensions shown in mm. Dimensions are shown for reference purposes only.

Specifications and availability subject to change without notice.