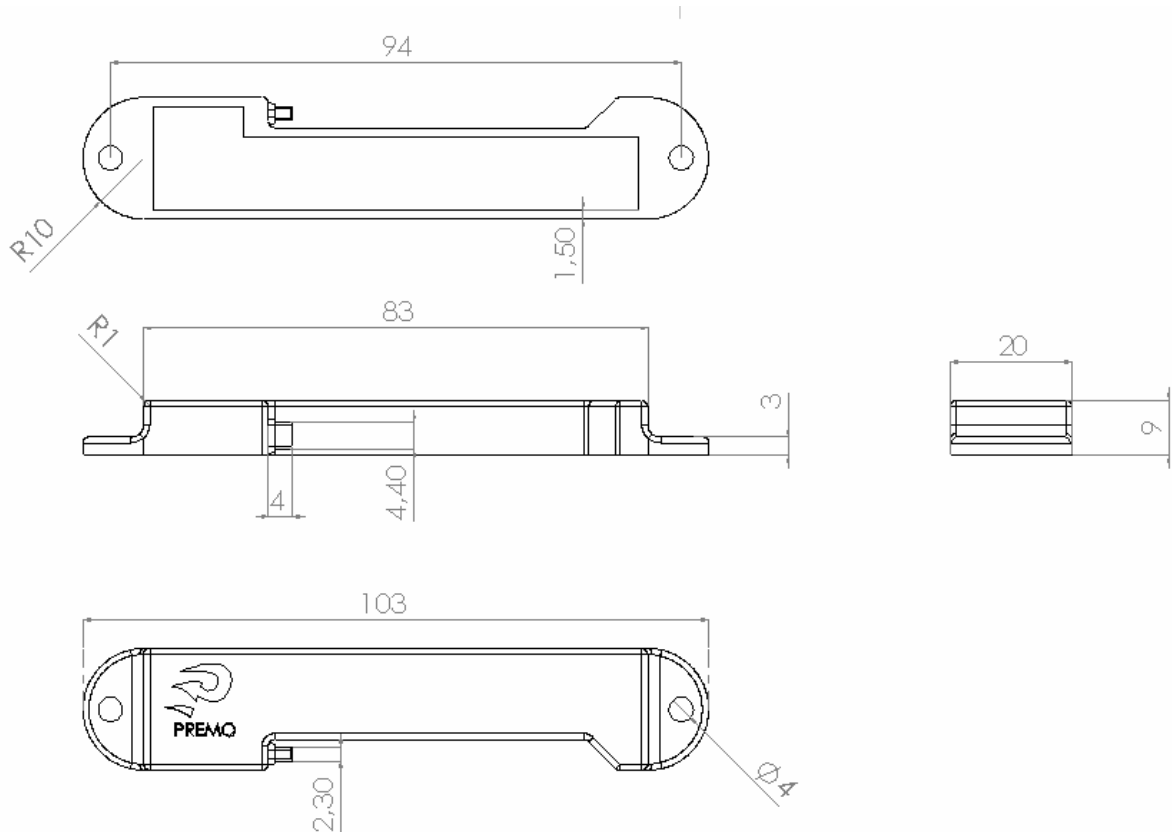


KGEA BFCWX

Emitter Antenna 103x20x9mm Housing plastic base-potted and outside connector unsealed&sealed

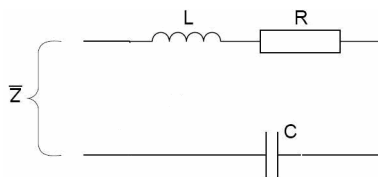
C/Severo Ochoa 33 - Parque Tecnológico de Andalucía. 29590 Campanillas. Málaga (Spain) **Phone** +34 951 231 320 Fax +34 951 231 321
E-mail: info@grupopremo.com Web <http://www.grupopremo.com>

1. Dimensions



All Dimensions in mm
General Tolerances $\pm 0.1\text{mm}$

2. Schematic Diagram



L: Ferrite core coil inductance
R: Copper resistance and connection
C: Tuning internal capacitor NPO
Z: External impedance

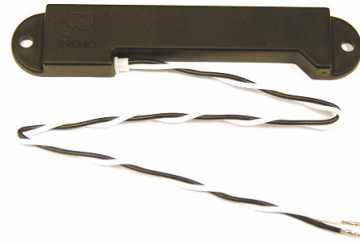
KGEA BFCWX

Emitter Antenna 103x20x9mm Housing plastic base-potted and outside connector unsealed&sealed

C/Severo Ochoa 33 - Parque Tecnológico de Andalucía. 29590 Campanillas. Málaga (Spain) **Phone** +34 951 231 320 Fax +34 951 231 321
E-mail: info@grupopremo.com Web <http://www.grupopremo.com>

3. Materials

- Core:** Ferrite Core
- Wire:** Enamelled and Selfbonding copper wire
- Capacitor:** NPO_Polypropylene film
- External housing:** material PA66
- Wall busing:** material silicone.
- Resin:** material epoxy (part fills resin potting)
- Cable:** CSA high temperature automotive sector
- Connector:** Optional Unsealed & Sealed



Remark : Products comply with RoHS requirements

4. Applications and Reliability Tests

Typical Operating Frequency 125KHz \pm 5% [-40°C to 85°C].

Storage Temperature -40 °C \rightarrow +85 °C

Operating Temperature -40 °C \rightarrow +85 °C

This part is according to AEC-Q200 Revision C.

5. Electrical Characteristics

KGEA-BFCWX

Code	L (mH)	Q min	Freq (KHz)	SRF (Mhz)	Length (mm)	Width (mm)	Height (mm)
KGEA-BFCWX-A-0161J	0.161	45	21.85	>1	103	20	9
KGEA-BFCWX-A-0422J	0.422	55	21.85	>1			
KGEA-BFCWX-B-0108J	0.108	90	125	>3			
KGEA-BFCWX-B-0240J	0.240	100	125	>3			
KGEA-BFCWX-B-0345J	0.345	115	125	>3			
KGEA-BFCWX-B-0500J	0.500	115	125	>3			
KGEA-BFCWX-C-0207J	0.207	100	134,2	>3			
KGEA-BFCWX-C-0426J	0.426	100	134,2	>3			

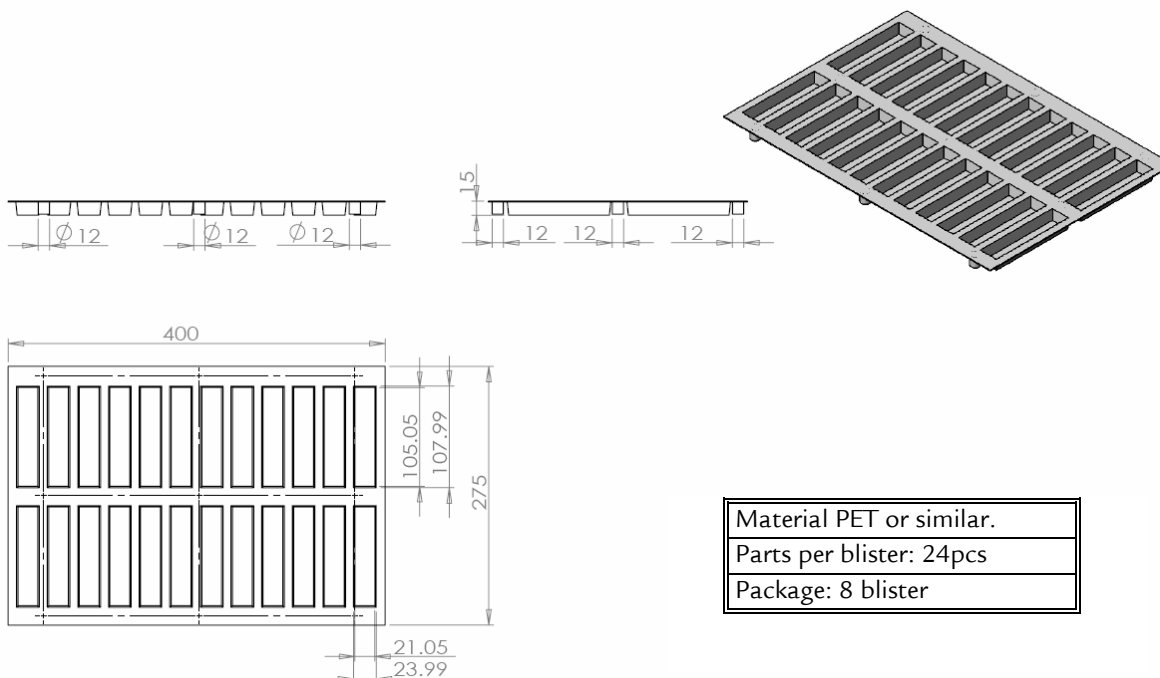
KGEA BFCWX

Emitter Antenna 103x20x9mm Housing plastic base-potted and outside connector unsealed&sealed

C/Severo Ochoa 33 - Parque Tecnológico de Andalucía. 29590 Campanillas. Málaga (Spain) **Phone** +34 951 231 320 **Fax** +34 951 231 321
E-mail: info@grupopremo.com Web <http://www.grupopremo.com>

6. Packaging Information

BLISTER SPECIFICATION



All Dimensions in mm

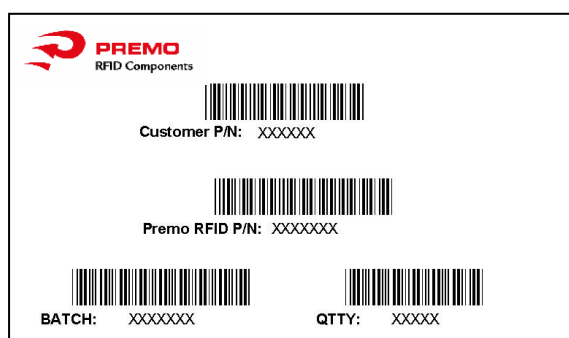
7.- Printing and Labelling

PART PRINTING

PART NUMBER

BATCH/DATE

PACKAGE LABELLING



Edition	Revision Date
1	13/05/09