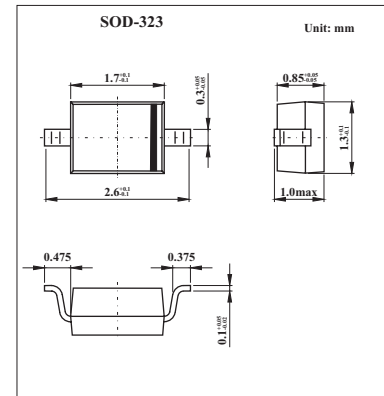


Surface Mount Fast Switching Diode

KAV16WS(BAV16WS)

■ Features

- Fast Switching Speed
- Ultra-Small Surface Mount Package
- For General Purpose Switching Applications
- High Conductance



■ Absolute Maximum Ratings Ta = 25°C

Parameter	Symbol	Rating	Unit
Non-Repetitive Peak Reverse Voltage	V _{RM}	100	V
Peak repetitive reverse voltage	V _{RRM}	75	V
Working peak reverse voltage	V _{RWM}		
DC blocking voltage	V _R		
RMS reverse voltage	V _{R(RMS)}	53	V
Average rectified output current	I _O	150	mA
Forward Continuous Current	I _{FM}	300	mA
Non-Repetitive Peak Forward Surge Current @ t = 1.0 μs	I _{FSM}	2.0	A
@ t = 1.0s		1.0	
Power dissipation	P _D	200	mW
Typical Thermal Resistance Junction to Ambient	R _{θJA}	325	°C/W
Operating and storage temperature range	T _j , T _{stg}	-65 to +150	°C

■ Electrical Characteristics Ta = 25°C

Parameter	Symbol	Testconditions	Min	Typ	Max	Unit
Reverse Breakdown Voltage	V _{(BR)R}	I _R = 1.0 μA	75			V
Forward voltage	V _{FM}	I _F = 1.0mA I _F = 10mA I _F = 50mA I _F = 150mA			0.745 0.855 1.0 1.25	V
Peak Reverse current	I _{RM}	V _R = 75V V _R = 75V, T _J = 150°C V _R = 25V, T _J = 150°C V _R = 20V			1.0 50 30 25	μA μA nA nA
Junction Capacitance	C _J	V _R = 0, f = 1.0MHz			2.0	pF
Reverse Recovery Time	t _{rr}	I _F = I _R = 10mA, I _{rr} = 0.1xI _R , R _L = 100 Ω			4.0	ns

■ Marking

Marking	T6 or T4
---------	----------