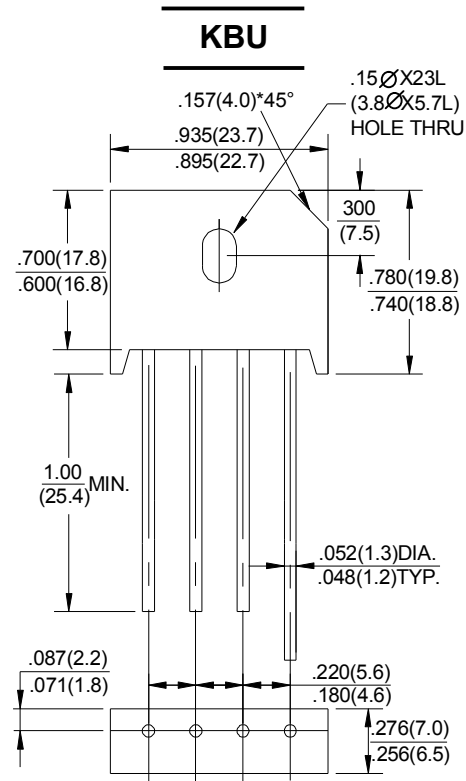


SILICON BRIDGE RECTIFIERS

REVERSE VOLTAGE - **50 to 1000**Volts
 FORWARD CURRENT - **10.0** Amperes

FEATURES

- Surge overload rating -240 amperes peak
- Ideal for printed circuit board
- Reliable low cost construction utilizing molded plastic technique
- Plastic material has U/L flammability classification 94V-0
- Mounting position: Any



Dimensions in inches and (millimeters)

MAXIMUM RATINGS AND ELECTRICAL CHARACTERISTICS

Rating at 25°C ambient temperature unless otherwise specified.

Single phase, half wave, 60Hz, resistive or inductive load.

For capacitive load, derate current by 20%

| CHARACTERISTICS | SYMBOL | KBU 10005 | KBU 1001 | KBU 1002 | KBU 1004 | KBU 1006 | KBU 1008 | KBU 1010 | UNIT |
|---|--------------------------------|-------------|----------|----------|----------|----------|----------|----------|------|
| Maximum Recurrent Peak Reverse Voltage | V _{RRM} | 50 | 100 | 200 | 400 | 600 | 800 | 1000 | V |
| Maximum RMS Voltage | V _{RMS} | 35 | 70 | 140 | 280 | 420 | 560 | 700 | V |
| Maximum DC Blocking Voltage | V _{DC} | 50 | 100 | 200 | 400 | 600 | 800 | 1000 | V |
| Maximum Average Forward (with heatsink Note 1) Rectified Current @ T _c =100°C (without heatsink) | I <sub(av)< sub=""></sub(av)<> | 10.0 3.0 | | | | | | | A |
| Peak Forward Surge Current 8.3ms Single Half Sine-Wave Super Imposed on Rated Load (JEDEC Method) | I _{FSM} | 240 | | | | | | | A |
| Maximum Forward Voltage at 5.0A DC | V _F | 1.0 | | | | | | | V |
| Maximum DC Reverse Current @ T _J =25°C at Rated DC Blocking Voltage @ T _J =125°C | I _R | 10 500 | | | | | | | μA |
| Operating Temperature Range | T _J | -55 to +125 | | | | | | | °C |
| Storage Temperature Range | T _{STG} | -55 to +150 | | | | | | | °C |

NOTES: 1. Device mounted on 100mm*100mm*1.6mm Cu plate heatsink.

FIG.1-MAXIMUM FORWARD SURGE CURRENT

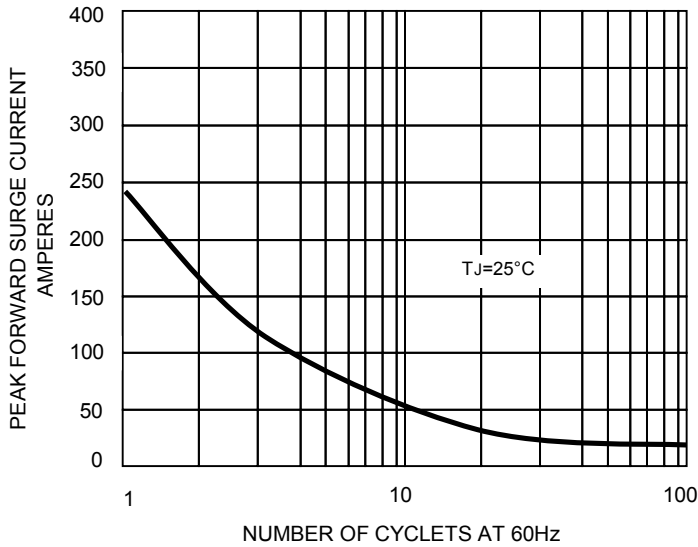


FIG. 2 – DERATING CURVE OUTPUT RECTIFIED CURRENT

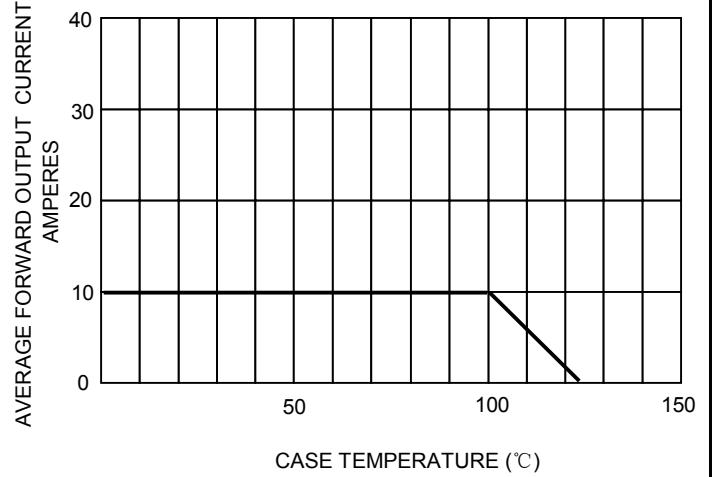


FIG.3- TYPICAL FORWARD CHARACTERISTICS

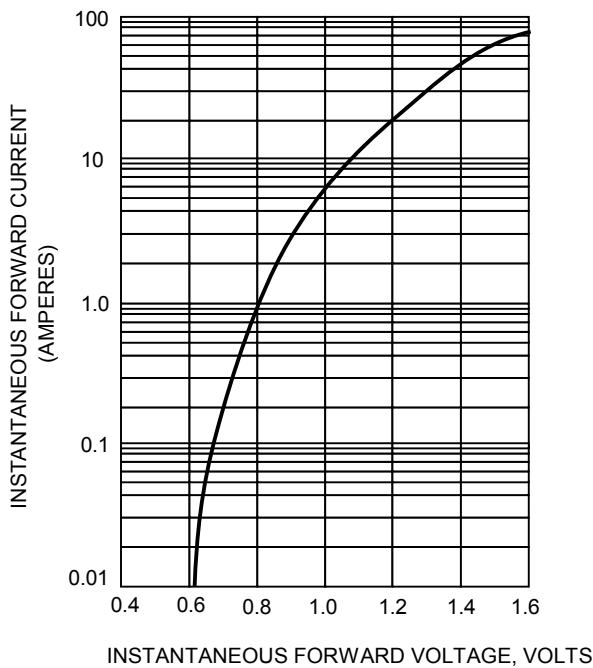


FIG.4- TYPICAL REVERSE CHARACTERISTICS

