



KBPC/BR15/25/35/50 SERIES

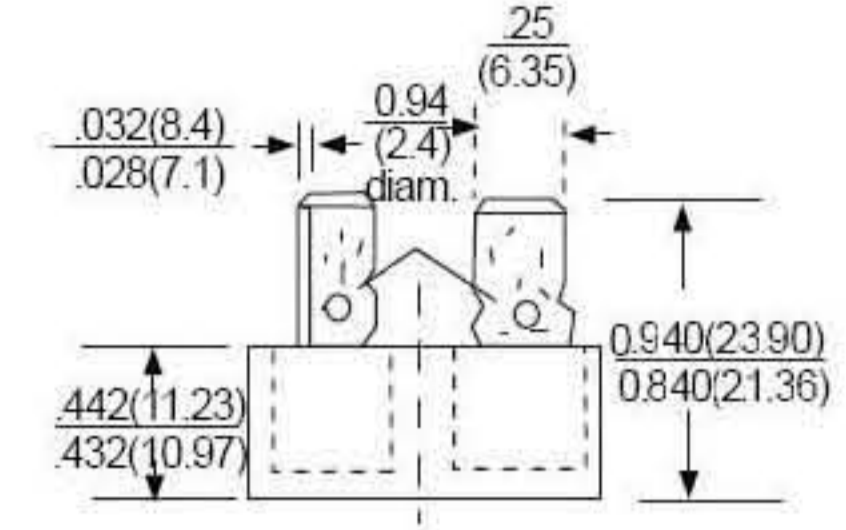
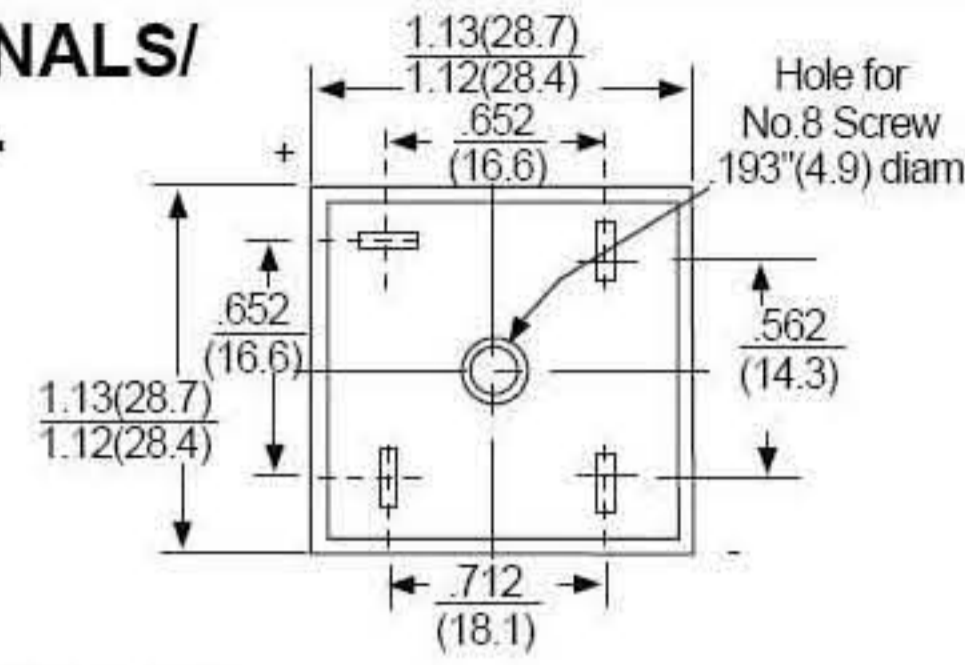
**SINGLE PHASE 15/25/35/50 AMPS.
SILICON BRIDGE RECTIFIERS**

**Voltage Range
50 to 1000 Volts
Current
15/25/35/50 Amperes**

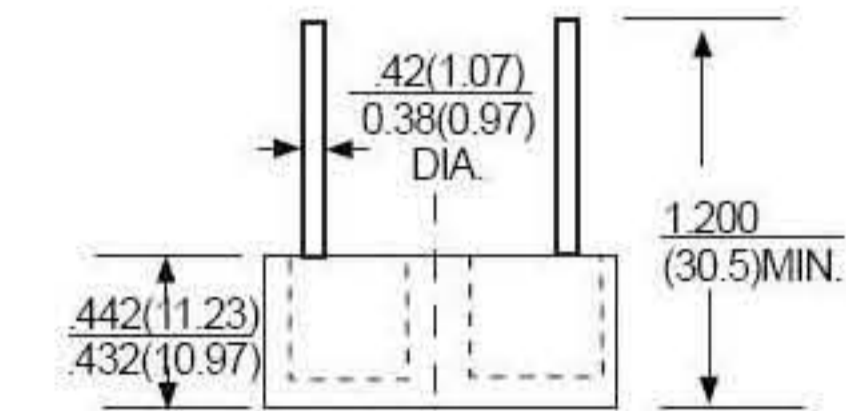
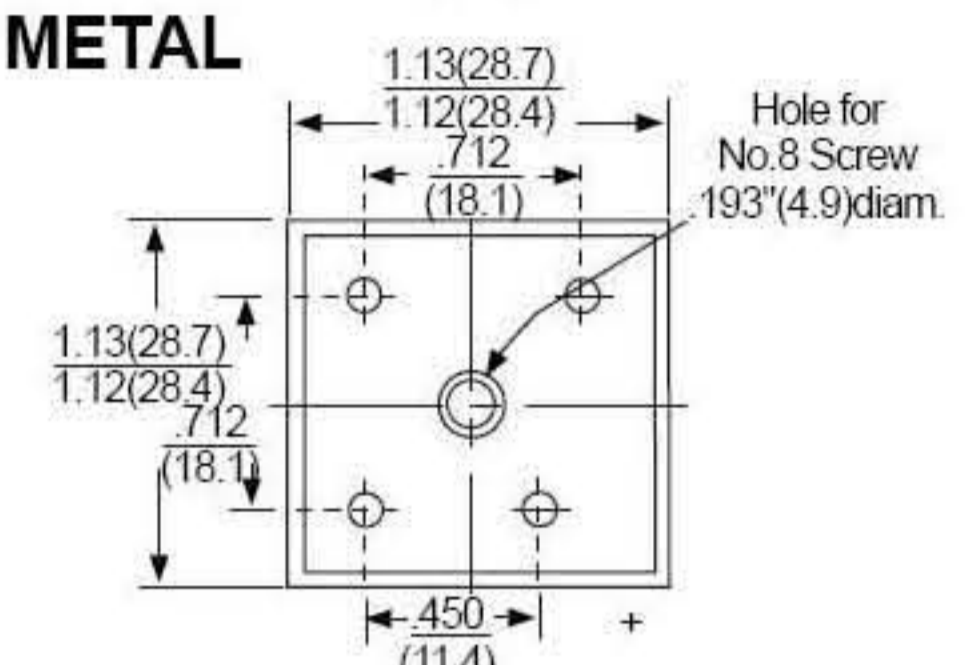
FEATURES

- *UL Recognized File # 230084
- *Surge overload 200-400 Amperes peak
- *Low forward voltage drop
- *Mounting Position: Any
- *Electrically isolated base-1800 Volts
- *Solderable 0.25" FASTON terminals
- *Materials used carries U/L recognition

TERMINALS/ METAL

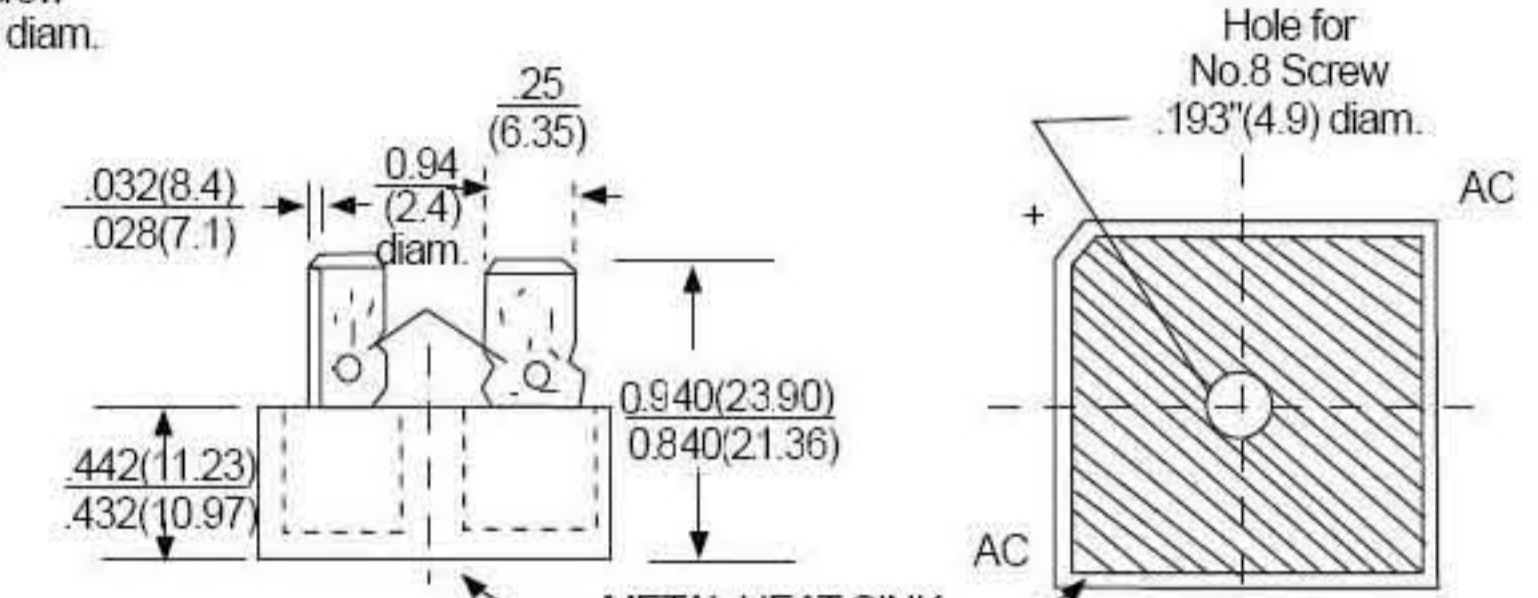
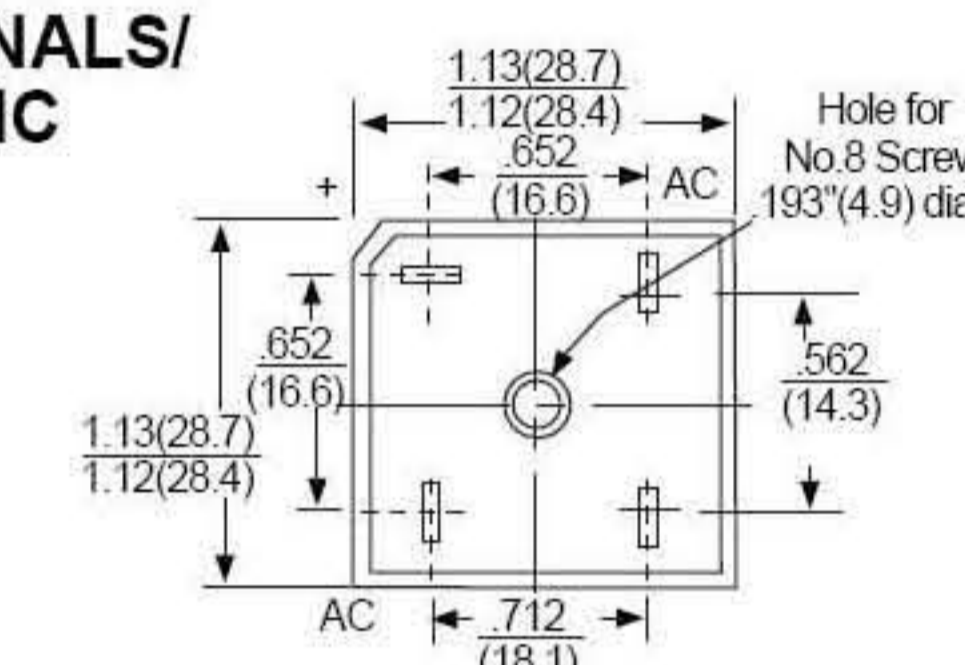


LEAD / METAL

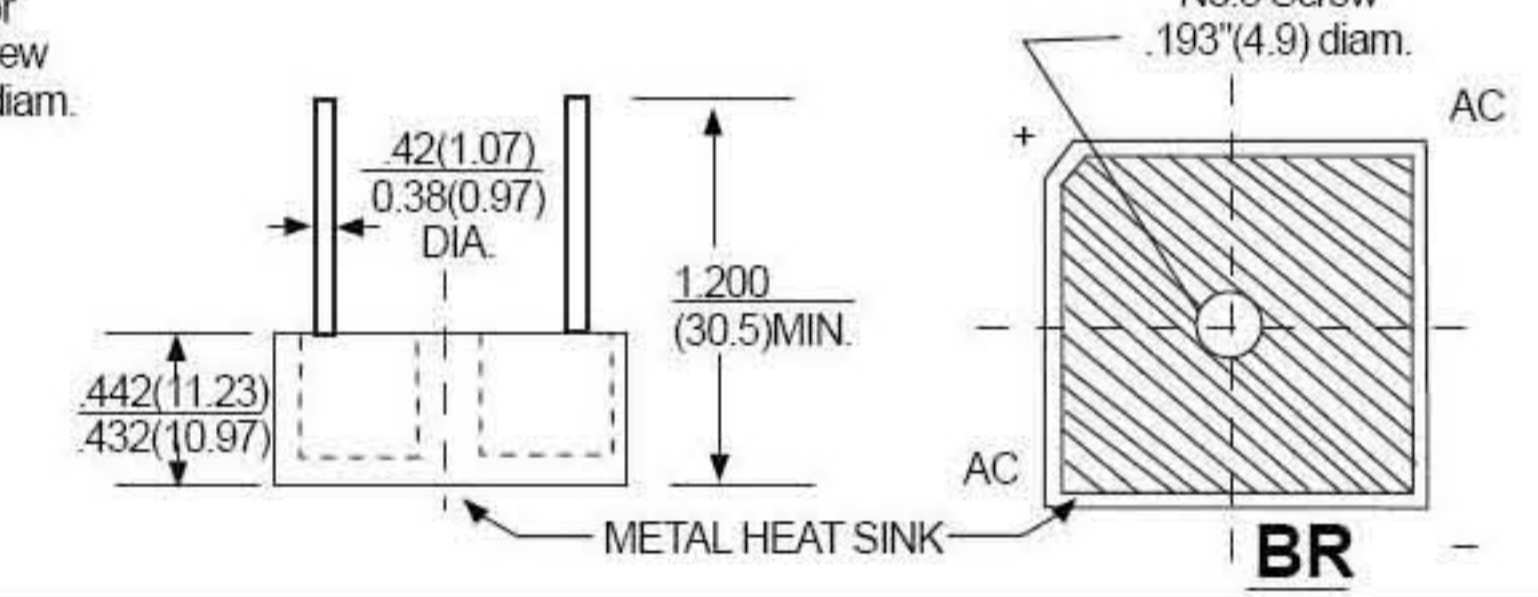
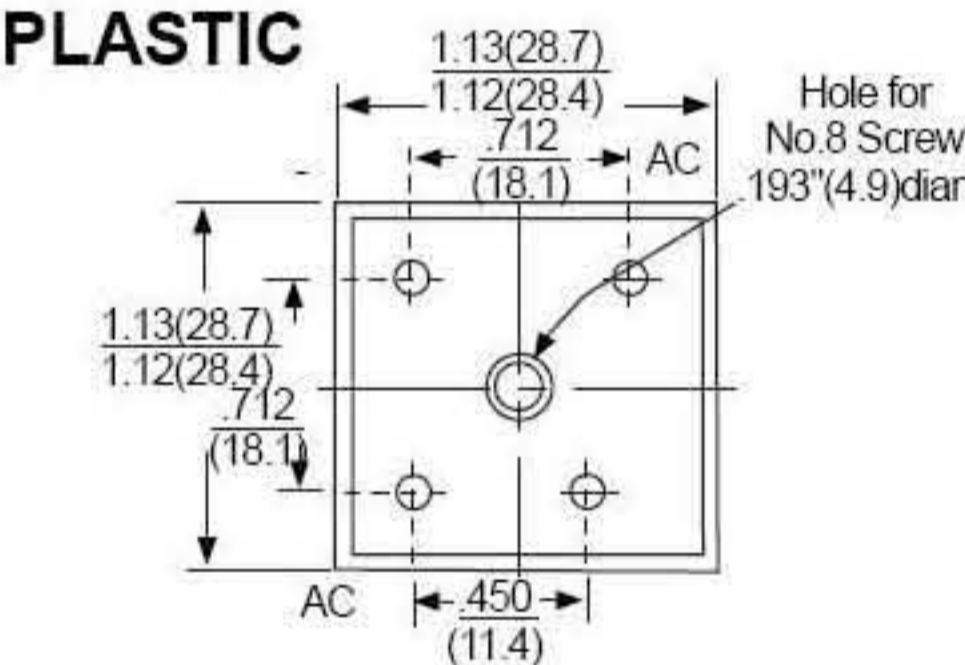


KBPC

TERMINALS/ PLASTIC



LEAD / PLASTIC



BR

MAXIMUM RATINGS AND ELECTRICAL CHARACTERISTICS

Rating at 25°C ambient temperature unless otherwise specified.
Resistive or inductive load 50Hz.
For capacitive load current by 20%

| Type Number | | KBPC BR | KBPC BR | KBPC BR | KBPC BR | KBPC BR | KBPC BR | KBPC BR | UNITS | |
|--|--------|-------------|---------|------------|---------|------------|---------|------------|-------|---|
| | | 15005 | 1501 | 1502 | 1504 | 1506 | 1508 | 1510 | | |
| | | 25005 | 2501 | 2502 | 2504 | 2506 | 2508 | 2510 | | |
| | | 35005 | 3501 | 3502 | 3504 | 3506 | 3508 | 3510 | | |
| | | 50005 | 5001 | 5002 | 5004 | 5006 | 5008 | 5010 | | |
| Maximum Repetitive Peak Reverse Voltage | VRRM | 50 | 100 | 200 | 400 | 600 | 800 | 1000 | V | |
| Maximum RMS Bridge Input Voltage | VRMS | 35 | 70 | 140 | 280 | 420 | 560 | 700 | V | |
| Maximum Average Forward Rectified Output Current @Tc = 55°C | IF(AV) | KBPC BR 15 | 15 | KBPC BR 25 | 25 | KBPC BR 35 | 35 | KBPC BR 50 | 50 | A |
| Peak Forward Surge Current 8.3ms single half sine-wave super imposed on rated load | IFSM | KBPC BR 15 | 300 | KBPC BR 25 | 400 | KBPC BR 35 | 400 | KBPC BR 50 | 500 | A |
| Maximum Forward Voltage Drop per Leg at 7.5/12.5/17.5/25.0A Peak | VF | 1.1 | | | | | | | V | |
| Maximum Reverse Current at Rate DC Blocking Voltage per element @TA = 25°C | IR | 5 | | | | | | | uA | |
| Operating Temperature Range Tc | TJ | -55 to +125 | | | | | | | °C | |
| Storage Temperature Range TA | TSTG | -55 to +150 | | | | | | | °C | |

NOTES: 1. Also available on KBPC 15W/25W/35W/50W series.

RATING AND CHARACTERISTIC CURVES KBPC/BR 15/25/35/50 SERIES



FIG.1 -MAXIMUM FORWARD SURGE CURRENT

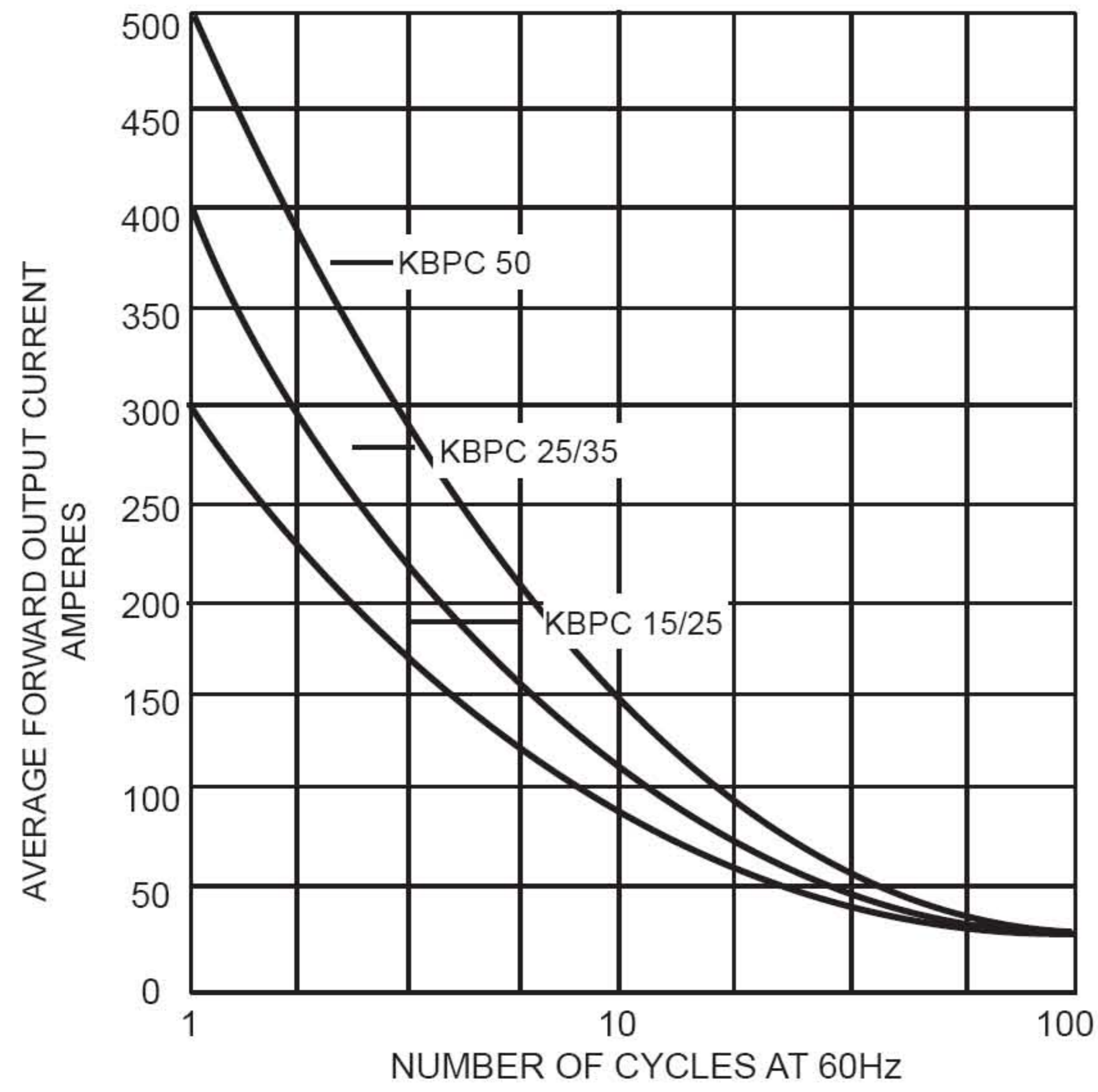


FIG.2 -DERATING CURVE
OUTPUT RECTIFIED CURRENT

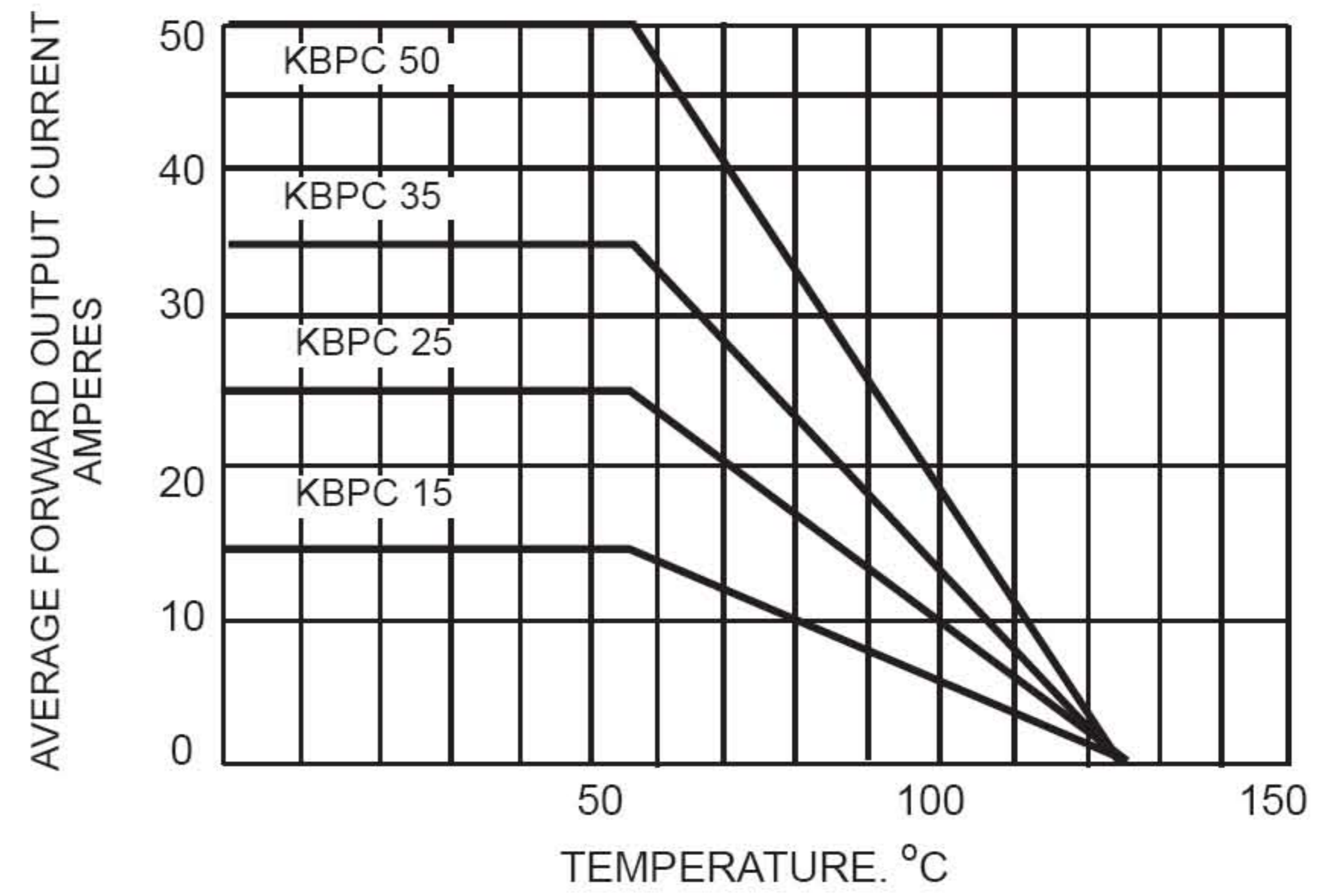


FIG.3-TYPICAL FORWARD
CHARACTERISTICS

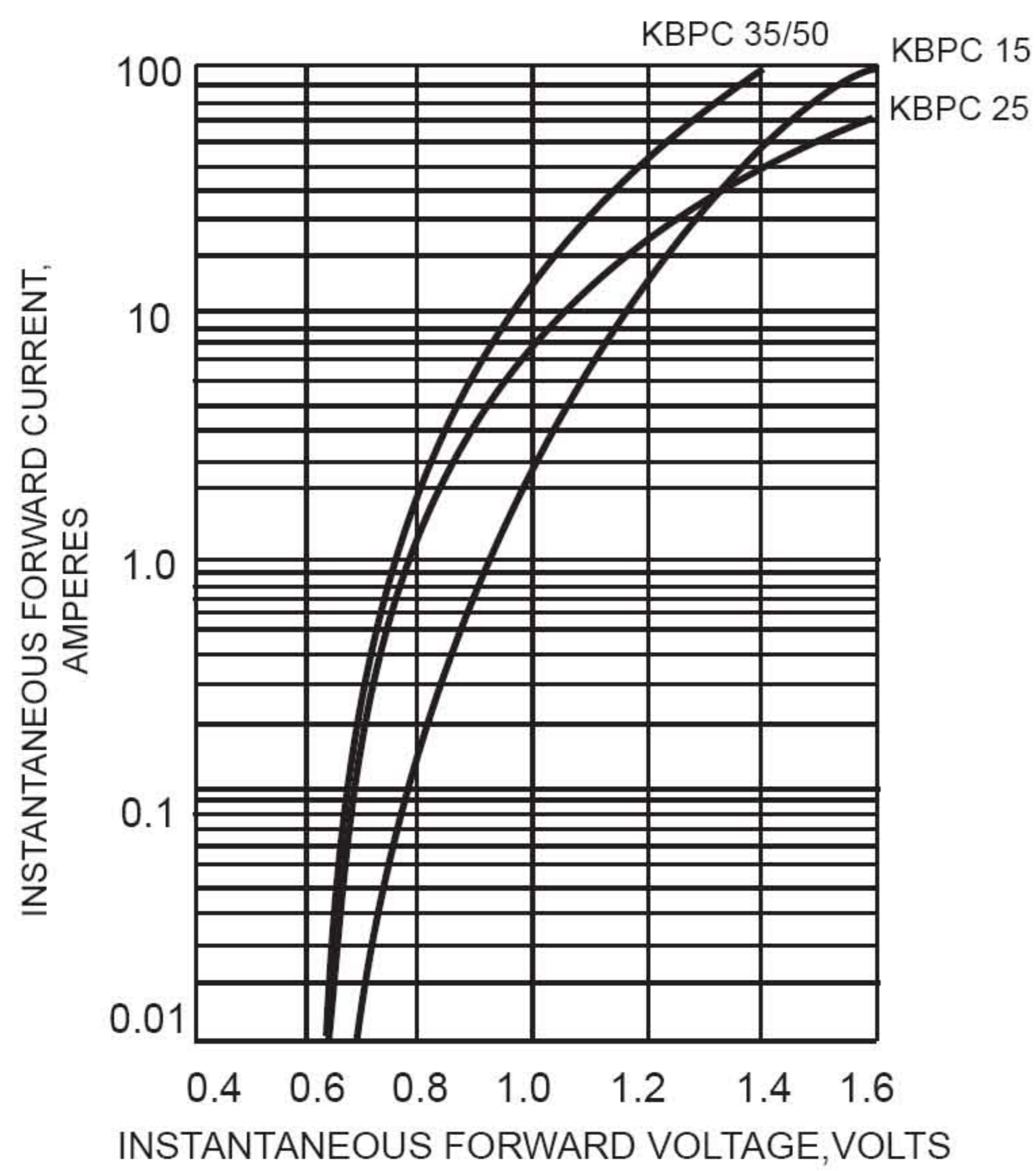


FIG.4 - TYPICAL REVERSE
CHARACTERISTICS

