

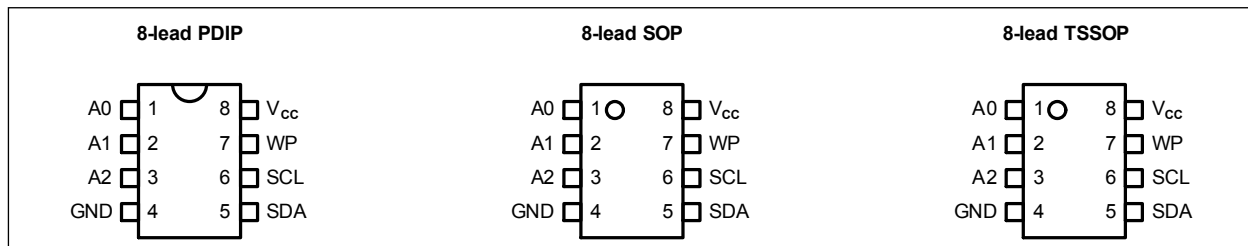
## ■ Features

- Wide Voltage Operation
  - V<sub>cc</sub> = 1.8V to 5.5V
- Operating Ambient Temperature: -40°C to +85°C
- Internally Organized:
  - 24C32, 4096 X 8 (32K bits)
  - 24C64, 8192 X 8 (64K bits)
- Two-wire Serial Interface
- Schmitt Trigger, Filtered Inputs for Noise Suppression
- Bidirectional Data Transfer Protocol
- 1 MHz (5V), 400 kHz (1.8V, 2.5V, 2.7V) Compatibility
- Write Protect Pin for Hardware Data Protection
- 32-byte Page (32K, 64K) Write Modes
- Partial Page Writes Allowed
- Self-timed Write Cycle (5 ms max)
- High-reliability
  - Endurance: 1 Million Write Cycles
  - Data Retention: 100 Years
- 8-lead PDIP, 8-lead SOP and 8-lead TSSOP Packages
- Die Sales: Wafer Form, Waffle Pack

## ■ General Description

The 24C32/ 24C64 provides 32,768/65,536 bits of serial electrically erasable and programmable read-only memory (EEPROM) organized as 4096/8192 words of 8 bits each. The device is optimized for use in many industrial and commercial applications where low-power and low-voltage operation are essential. The 24C32/ 24C64 is available in space-saving 8-lead PDIP, 8-lead SOP, and 8-lead TSSOP packages and is accessed via a two-wire serial interface.

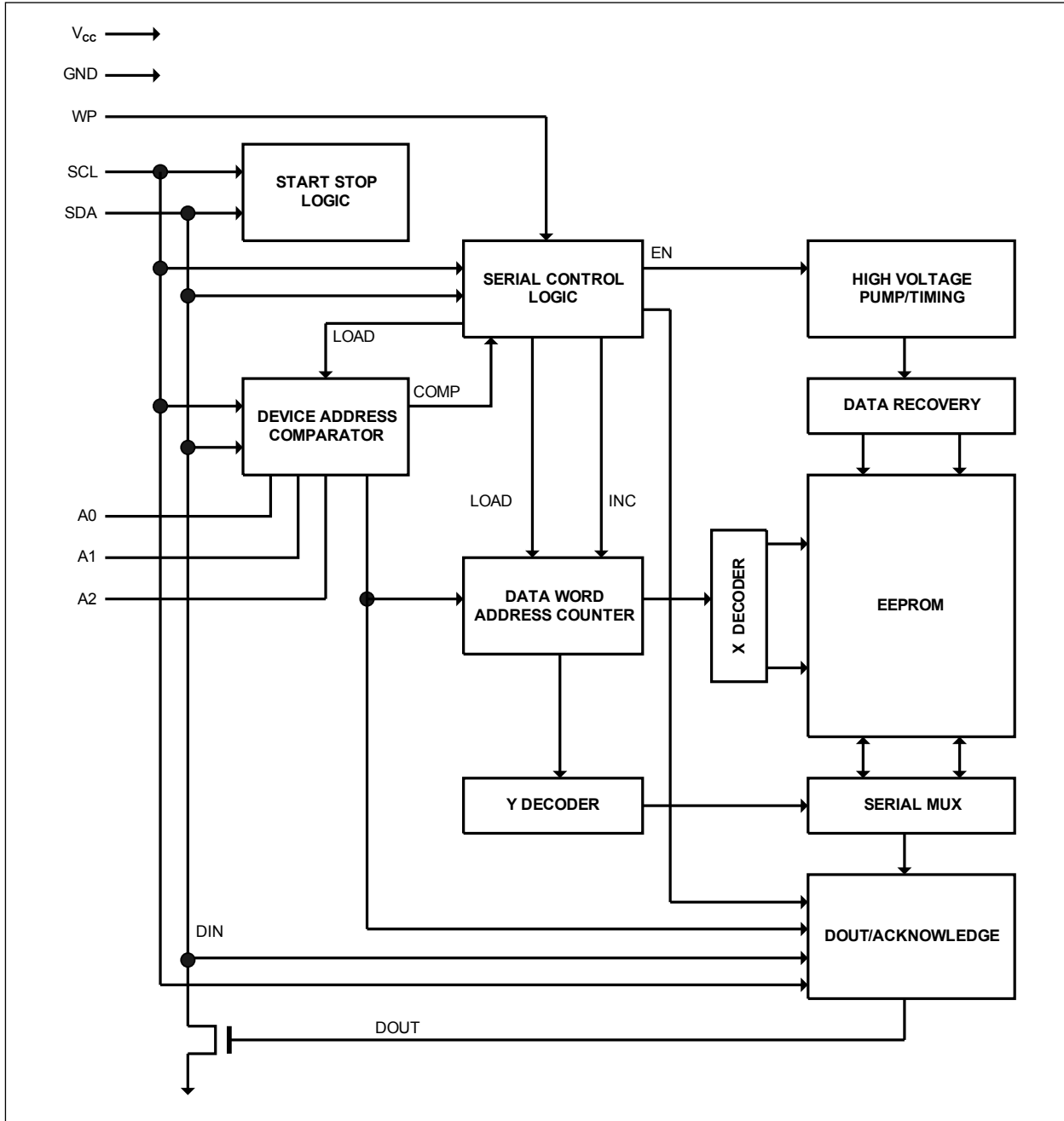
## ■ Pin Configuration



## ■ Pin Descriptions

- Table 1: Pin Configuration

Pin Designation	Type	Name and Functions
A0 - A2	I	Address Inputs
SDA	I/O & Open-drain	Serial Data
SCL	I	Serial Clock Input
WP	I	Write Protect
GND	P	Ground
V <sub>cc</sub>	P	Power Supply

**Block Diagram**


## ■ Pin Descriptions

---

**DEVICE/PAGE ADDRESSES (A2, A1 and A0):** The A2, A1 and A0 pins are device address inputs that are hard wired for the 24C32/ 24C64. Eight 32K/64K devices may be addressed on a single bus system (device addressing is discussed in detail under the Device Addressing section).

**SERIAL DATA (SDA):** The SDA pin is bi-directional for serial data transfer. This pin is open-drain driven and may be wire-ORed with any number of other open-drain or open-collector devices.

**SERIAL CLOCK (SCL):** The SCL input is used to positive edge clock data into each EEPROM device and negative edge clock data out of each device.

**WRITE PROTECT (WP):** The 24C32/ 24C64 has a Write Protect pin that provides hardware data protection. The Write Protect pin allows normal read/write operations when connected to ground (GND). When the Write Protect pin is connected to Vcc, the write protection feature is enabled and operates as shown in the following Table 2.

● Table 2: Write Protect

WP Pin Status	Part of the Array Protected	
	24C32	24C64
At Vcc	Full (32K) Array	Full (64K) Array
At GND	Normal Read / Write Operations	

## ■ Memory Organization

---

**24C32, 32K SERIAL EEPROM:** Internally organized with 128 pages of 32 bytes each, the 32K requires an 12-bit data word address for random word addressing.

**24C64, 64K SERIAL EEPROM:** Internally organized with 256 pages of 32 bytes each, the 64K requires a 13-bit data word address for random word address

## ■ Device Operation

**CLOCK and DATA TRANSITIONS:** The SDA pin is normally pulled high with an external device. Data on the SDA pin may change only during SCL low time periods (see to Figure 1 on page 4). Data changes during SCL high periods will indicate a start or stop condition as defined below.

**START CONDITION:** A high-to-low transition of SDA with SCL high is a start condition which must precede any other command (see to Figure 2 on page 4).

**STOP CONDITION:** A low-to-high transition of SDA with SCL high is a stop condition. After a read sequence, the stop command will place the EEPROM in a standby power mode (see Figure 2 on page 4).

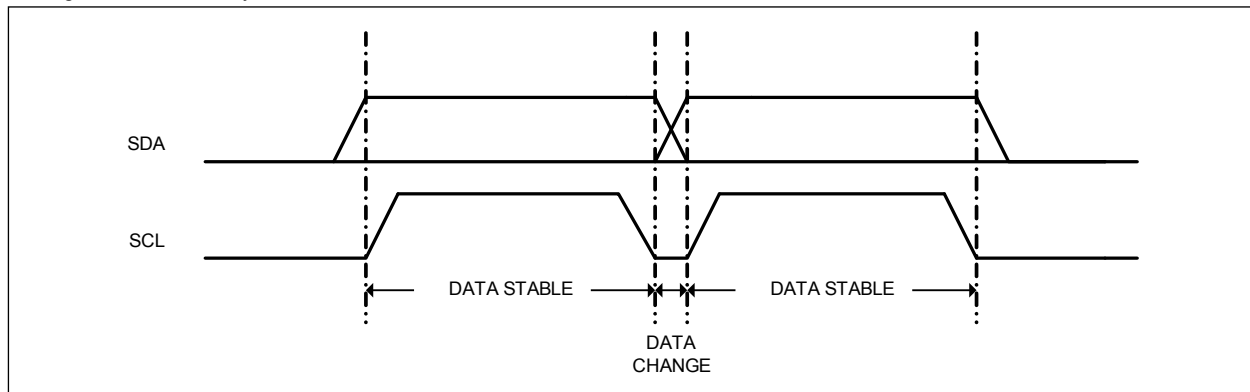
**ACKNOWLEDGE:** All addresses and data words are serially transmitted to and from the EEPROM in 8-bit words. The EEPROM sends a "0" to acknowledge that it has received each word. This happens during the ninth clock cycle.

**STANDBY MODE:** The 24C32/ 24C64 features a low-power standby mode which is enabled: (a) upon power-up and (b) after the receipt of the STOP bit and the completion of any internal operations

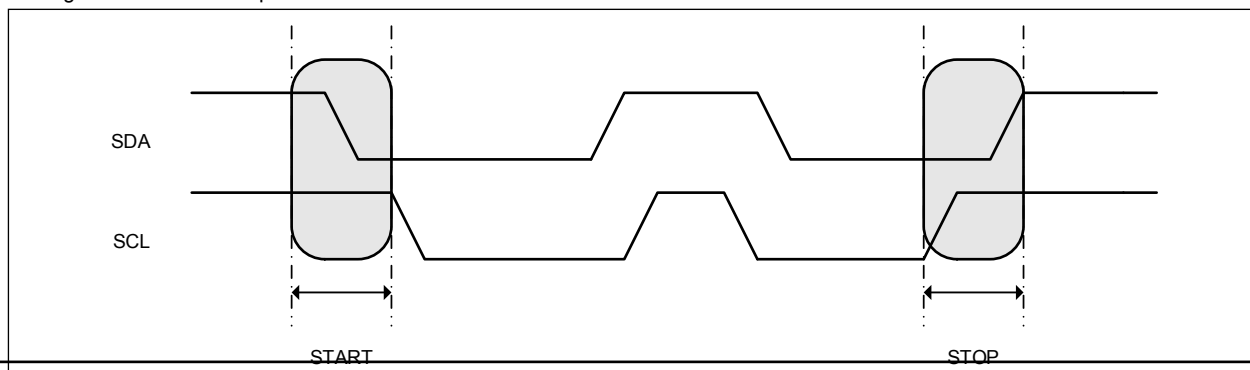
**MEMORY RESET:** After an interruption in protocol, power loss or system reset, any two-wire part can be reset by following these steps:

1. Clock up to 9 cycles.
2. Look for SDA high in each cycle while SCL is high.
3. Create a start condition.

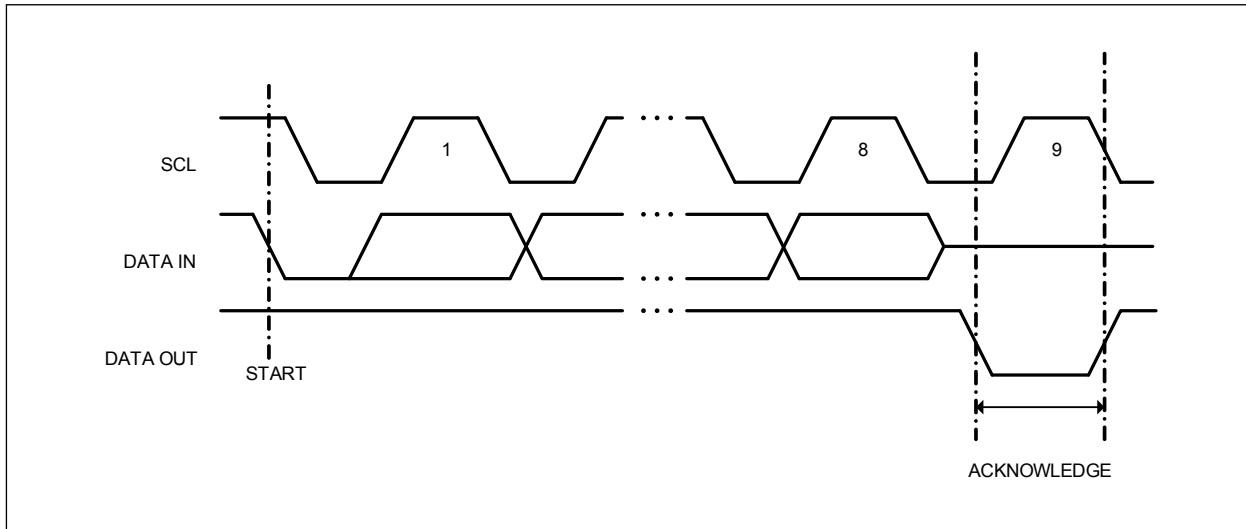
● Figure 1: Data Validity



● Figure 2: Start and Stop Definition



● Figure 3: Output Acknowledge



## ■ Device Addressing

The 32K and 64K EEPROM devices all require an 8-bit device address word following a start condition to enable the chip for a read or write operation (see to Figure 4 on page 7).

The device address word consists of a mandatory "1", "0" sequence for the first four most significant bits as shown. This is common to all the Serial EEPROM devices.

The next 3 bits are the A2, A1 and A0 device address bits for the 32K/64K EEPROM. These 3 bits must compare to their corresponding hardwired input pins.

The eighth bit of the device address is the read/write operation select bit. A read operation is initiated if this bit is high and a write operation is initiated if this bit is low.

Upon a compare of the device address, the EEPROM will output a "0". If a compare is not made, the chip will return to a standby state.

## ■ Write Operations

---

**BYTE WRITE:** A write operation requires two 8-bit data word address following the device address word and acknowledgment. Upon receipt of this address, the EEPROM will again respond with a "0" and then clock in the first 8-bit data word. Following receipt of the 8-bit data word, the EEPROM will output a "0" and the addressing device, such as a microcontroller, must terminate the write sequence with a stop condition. At this time the EEPROM enters an internally timed write cycle,  $t_{WR}$ , to the nonvolatile memory. All inputs are disabled during this write cycle and the EEPROM will not respond until the write is complete (see Figure 5 on page 7).

**PAGE WRITE:** The 32K/64K EEPROM is capable of an 32-byte page write.

A page write is initiated the same as a byte write, but the microcontroller does not send a stop condition after the first data word is clocked in. Instead, after the EEPROM acknowledges receipt of the first data word, the microcontroller can transmit up to 31 (32K, 64K) more data words. The EEPROM will respond with a "0" after each data word received. The microcontroller must terminate the page write sequence with a stop condition (see Figure 6 on page 7).

The data word address lower five (32K, 64K) bits are internally incremented following the receipt of each data word. The higher data word address bits are not incremented, retaining the memory page row location. When the word address, internally generated, reaches the page boundary, the following byte is placed at the beginning of the same page. If more than 32 (32K, 64K) data words are transmitted to the EEPROM, the data word address will "roll over" and previous data will be overwritten.

**ACKNOWLEDGE POLLING:** Once the internally timed write cycle has started and the EEPROM inputs are disabled, acknowledge polling can be initiated. This involves sending a start condition followed by the device address word. The read/write bit is representative of the operation desired. Only if the internal write cycle has completed will the EEPROM respond with a "0", allowing the read or write sequence to continue.

## ■ Read Operations

---

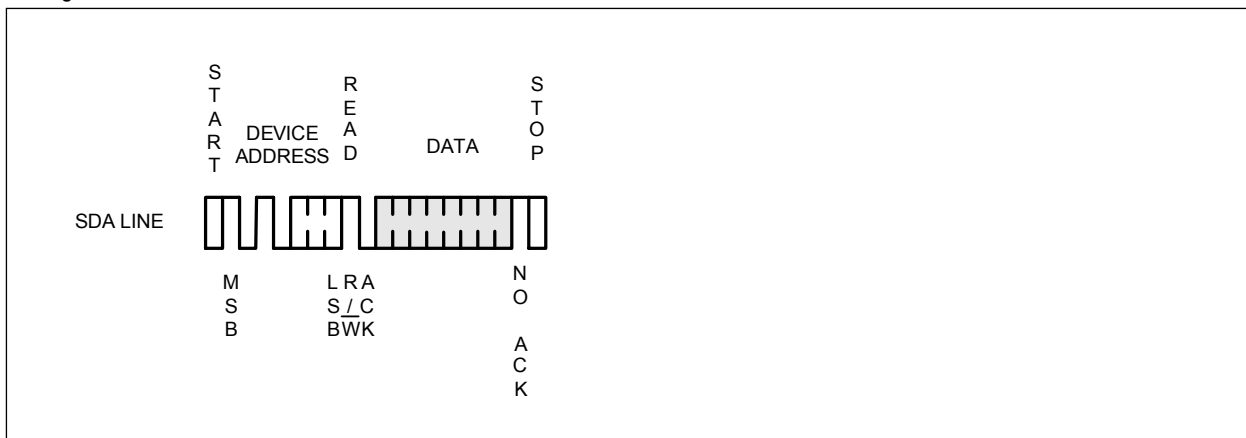
Read operations are initiated the same way as write operations with the exception that the read/write select bit in the device address word is set to "1". There are three read operations: current address read, random address read and sequential read.

**CURRENT ADDRESS READ:** The internal data word address counter maintains the last address accessed during the last read or write operation, incremented by one. This address stays valid between operations as long as the chip power is maintained. The address "roll over" during read is from the last byte of the last memory page to the first byte of the first page. The address "roll over" during write is from the last byte of the current page to the first byte of the same page.

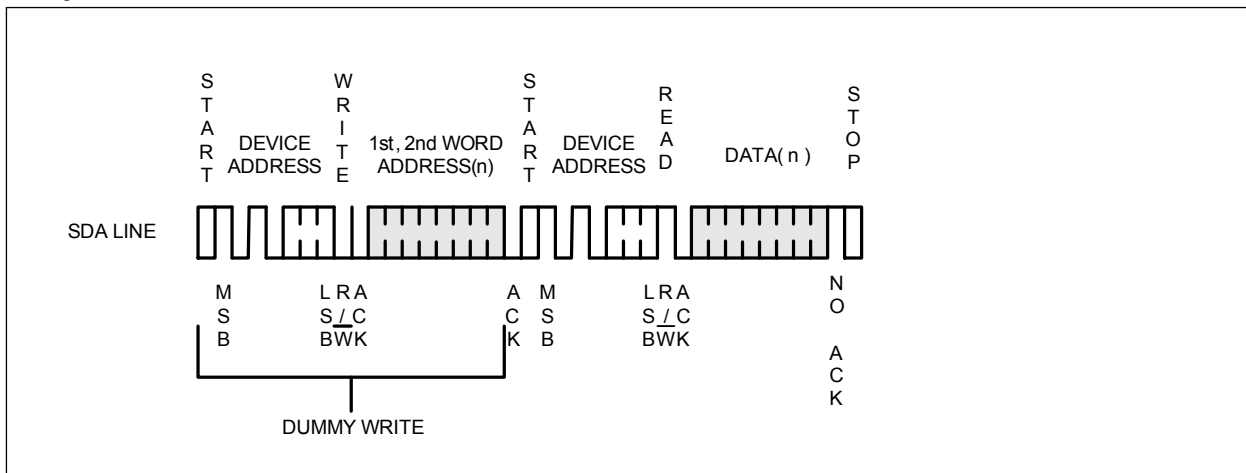
Once the device address with the read/write select bit set to "1" is clocked in and acknowledged by the EEPROM, the current address data word is serially clocked out. The microcontroller does not respond with an input "0" but does generate a following stop condition (see Figure 7 on page 8).



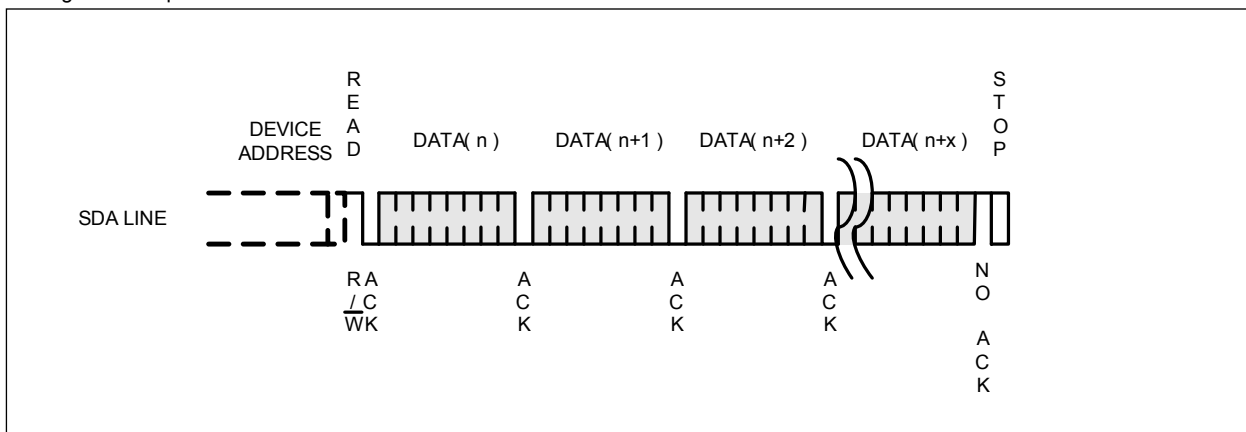
● Figure 7: Current Address Read



● Figure 8: Random Read



● Figure 9: Sequential Read





**Electrical Characteristics**
**Absolute Maximum Stress Ratings**

DC Supply Voltage . . . . . -0.3V to +6.5V

Input / Output Voltage . . . . . GND-0.3V to V<sub>CC</sub>+0.3V

Operating Ambient Temperature . . . . -40°C to +85°C

Storage Temperature . . . . . -65°C to +150°C

**Comments**

Stresses above those listed under "Absolute Maximum Ratings" may cause permanent damage to this device. These are stress ratings only. Functional operation of this device at these or any other conditions above those indicated in the operational sections of this specification is not implied or intended. Exposure to the absolute maximum rating conditions for extended periods may affect device reliability.

**DC Electrical Characteristics**

● Applicable over recommended operating range from: T<sub>A</sub> = -40 °C to +85 °C, V<sub>CC</sub> = +1.8V to +5.5V (unless otherwise noted)

Parameter	Symbol	Min.	Typ.	Max.	Unit	Condition
Supply Voltage	V <sub>CC</sub>	1.8	-	5.5	V	
Supply Current V <sub>CC</sub> = 5.0V	I <sub>CC1</sub>	-	0.4	1.0	mA	READ at 100 kHz
Supply Current V <sub>CC</sub> = 5.0V	I <sub>CC2</sub>	-	2.0	3.0	mA	WRITE at 100 kHz
Standby Current	I <sub>SB</sub>	-	-	1.0	μA	V <sub>IN</sub> = V <sub>CC</sub> or GND
Input Leakage Current	I <sub>LI</sub>	-	-	3.0	μA	V <sub>IN</sub> = V <sub>CC</sub> or GND
Output Leakage Current	I <sub>LO</sub>	-	0.05	3.0	μA	V <sub>OUT</sub> = V <sub>CC</sub> or GND
Input Low Level	V <sub>IL</sub>	-0.6	-	V <sub>CC</sub> X 0.3	V	
Input High Level	V <sub>IH</sub>	V <sub>CC</sub> X 0.7	-	V <sub>CC</sub> + 0.5	V	
Output Low Level V <sub>CC</sub> =5.0V	V <sub>OL3</sub>	-	-	0.4	V	I <sub>OL</sub> = 3.0 mA
Output Low Level V <sub>CC</sub> =3.0V	V <sub>OL2</sub>	-	-	0.4	V	I <sub>OL</sub> = 2.1 mA
Output Low Level V <sub>CC</sub> =1.8V	V <sub>OL1</sub>	-	-	0.2	V	I <sub>OL</sub> = 0.15 mA

**Pin Capacitance**

● Applicable over recommended operating range from T<sub>A</sub> = 25 °C, f = 1.0 MHz, V<sub>CC</sub> = +1.8V

Parameter	Symbol	Min.	Typ.	Max.	Unit	Condition
Input/Output Capacitance (SDA)	C <sub>I/O</sub>	-	-	8	pF	V <sub>I/O</sub> = 0V
Input Capacitance (A0, A1, A2, SCL)	C <sub>IN</sub>	-	-	6	pF	V <sub>IN</sub> = 0V

## AC Electrical Characteristics

- Applicable over recommended operating range from  $T_A = -40^{\circ}\text{C}$  to  $+85^{\circ}\text{C}$ ,  $V_{CC} = +1.8\text{V}$  to  $+5.5\text{V}$ ,  $CL = 1$  TTL Gate and  $100\text{ pF}$  (unless otherwise noted)

Parameter	Symbol	1.8-volt			5.0-volt			Units
		Min.	Typ.	Max.	Min.	Typ.	Max.	
Clock Frequency, SCL	$f_{SCL}$	-	-	400	-	-	1000	kHz
Clock Pulse Width Low	$t_{LOW}$	1.2	-	-	0.6	-	-	$\mu\text{s}$
Clock Pulse Width High	$t_{HIGH}$	0.6	-	-	0.4	-	-	$\mu\text{s}$
Noise Suppression Time	$t_i$	-	-	50	-	-	40	$\mu\text{s}$
Clock Low to Data Out Valid	$t_{AA}$	0.05	-	0.9	0.05	-	0.55	$\mu\text{s}$
Time the bus must be free before a new transmission can start	$t_{BUF}$	1.2	-	-	0.5	-	-	$\mu\text{s}$
Start Hold Time	$t_{HD,STA}$	0.6	-	-	0.25	-	-	$\mu\text{s}$
Start Setup Time	$t_{SU,STA}$	0.6	-	-	0.25	-	-	$\mu\text{s}$
Data In Hold Time	$t_{HD,DAT}$	0	-	-	0	-	-	$\mu\text{s}$
Data In Setup Time	$t_{SU,DAT}$	100	-	-	100	-	-	ns
Inputs Rise Time(1)	$t_R$	-	-	0.3	-	-	0.3	$\mu\text{s}$
Inputs Fall Time(1)	$t_F$	-	-	300	-	-	100	ns
Stop Setup Time	$t_{SU,STO}$	0.6	-	-	0.25	-	-	$\mu\text{s}$
Data Out Hold Time	$t_{DH}$	50	-	-	50	-	-	ns
Write Cycle Time	$t_{WR}$	-	-	5	-	-	5	ms
5.0V, $25^{\circ}\text{C}$ , Byte Mode	Endurance	1M	-	-	-	-	-	Write Cycles

### Note

1. This parameter is characterized and is not 100% tested.

2. AC measurement conditions:

$R_L$  (connects to  $V_{CC}$ ):  $1.3\text{ k}\Omega$ (2.5V, 5V),  $10\text{ k}\Omega$ (1.8V)

Input pulse voltages:  $0.3 V_{CC}$  to  $0.7 V_{CC}$

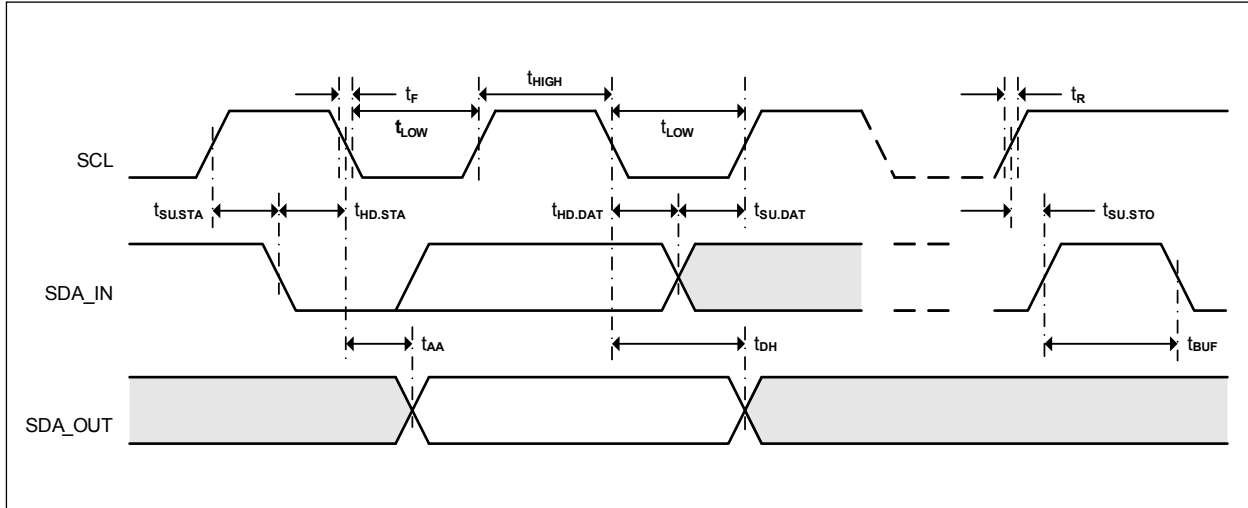
Input rise and fall time:  $\leq 50\text{ ns}$

Input and output timing reference voltages:  $0.5 V_{CC}$

The value of  $R_L$  should be concerned according to the actual loading on the user's system.

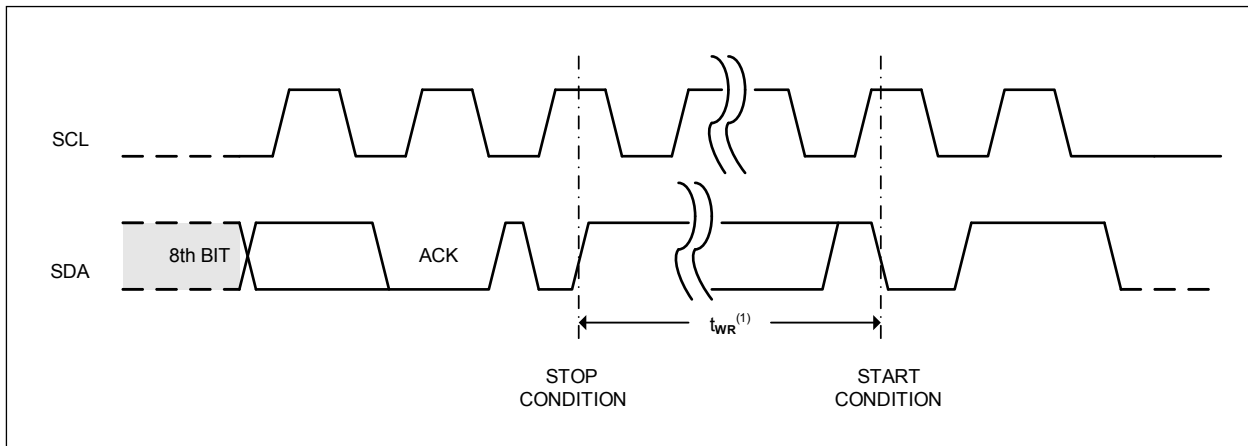
### Bus Timing

● Figure 10: SCL: Serial Clock, SDA: Serial Data I/O



### Write Cycle Timing

● Figure 11: SCL: Serial Clock, SDA: Serial Data I/O



### Note

1. The write cycle time  $t_{WR}$  is the time from a valid stop condition of a write sequence to the end of the internal clear/write cycle.

**Ordering Information**

Code Number											
Part Number	<b>K</b>	<b>24</b>	<b>XXX</b>	<b>X</b>	-	<b>X</b>	<b>X</b>	<b>X</b>	<b>X</b>	-	<b>X</b>
	1	2	3	4		5	6	7	8		9

<b>1.Prefix</b> <b>2.Series Name</b> 24: Two-wire (I2C) Interface <b>3.EEPROM Density</b> C32=32K bits C64=64K bits	<b>4.Design Option</b> o= <input type="checkbox"/> (Blank) <b>5.Package Type</b> D = DIP S = SOP R = TSSOP W = Wafer/die	<b>6. Temperature Range</b> C = Com Temp(0 °C-70 °C) I = Ind Temp(-40 °C-85 °C) E = Exp Temp(-40 °C-125 °C) <b>7.Pack Type</b> T = Tube R = Tape & Reel	<b>8.Plating Technology</b> Blank = Standard SnPb plating G = ECOPACK(RoHS compliant) <b>9.Operating Voltage</b> S=2.7~5.5 A=1.8~5.5
--	--	---	---

**Product Datasheet Change Notice**

Datasheet Revision History		
Version	Content	Date
1.0	Datasheet	Mar., 2007