



SINGLE PHASE BRIDGE RECTIFIER

**RS201 THRU RS207
KBP005 THRU KBP10**

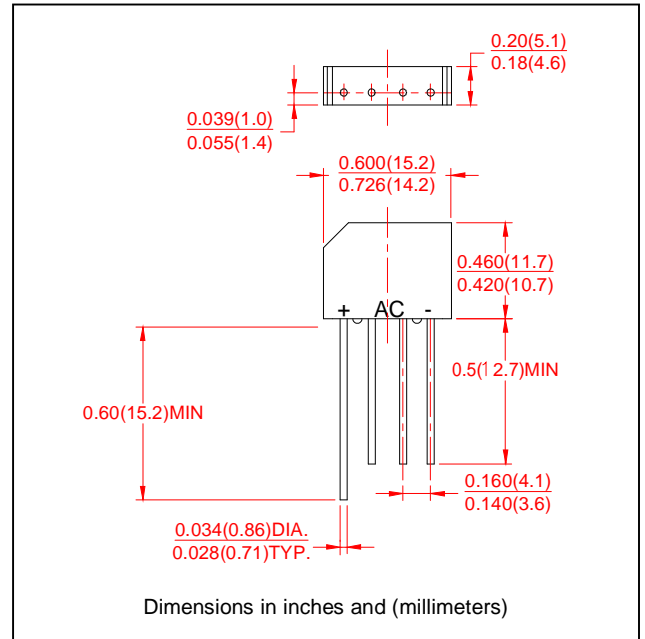
VOLTAGE RANGE	50 to 1000 Volts
CURRENT	2.0 Ampere

FEATURES

- Low cost
- This series in UL recognized under component index, file number E127707
- High forward surge current capacity
- Ideal for printed circuit board
- High temperature soldering guaranteed: 260°C / 10 seconds, 0.375" (9.5mm) lead length at 5 lbs. (2.3kg) tension.

MECHANICAL DATA

- Case: Transfer molded plastic
- Terminal: Lead solderable per MIL-STD-202E method 208C
- Polarity: Polarity symbols marked on case
- Mounting position: Any.
- Weight: 0.069 ounce, 1.95gram



MAXIMUM RATINGS AND ELECTRICAL CHARACTERISTICS

- Ratings at 25°C ambient temperature unless otherwise specified
- Single Phase, half wave, 60Hz, resistive or inductive load
- For capacitive load derate current by 20%

	SYMBOLS	RS201 KBP005	RS202 KBP01	RS203 KBP02	RS204 KBP04	RS205 KBP06	RS206 KBP08	RS207 KBP10	UNIT	
Maximum Repetitive Peak Reverse Voltage	V_{RRM}	50	100	200	400	600	800	1000	Volts	
Maximum RMS Voltage	V_{RMS}	35	70	140	280	420	560	700	Volts	
Maximum DC Blocking Voltage	V_{DC}	50	100	200	400	600	800	1000	Volts	
Maximum Average Forward Rectified Output Current, at $T_A=50^\circ\text{C}$ (Note2)	$I_{(AV)}$	2.0							Amps	
Peak Forward Surge Current 8.3mS single half sine wave superimposed on rated load (JEDEC method)	I_{FSM}	50							Amps	
Rating for Fusing ($t < 8.3\text{mS}$)	I^2t	10							A^2s	
Maximum Instantaneous Forward Voltage Drop per Bridge element at 1.0 A	V_F	1.0							Volts	
Maximum DC Reverse Current at Rated DC Blocking Voltage per element	$T_A = 25^\circ\text{C}$	I_R							10	μA
	$T_A = 100^\circ\text{C}$								0.5	mA
Typical Junction Resistance per element(Note1)	C_j	20							Volts	
Typical Thermal Resistance per element (Note2)	$R_{\theta JA}$	28							$^\circ\text{C}/\text{W}$	
Operating and Storage Temperature Rang	$T_{STG} \cdot T_J$	-55 to +150							$^\circ\text{C}$	

Notes:

1. Measured at 1.0 MHz and applied reverse voltage of 4.0 Volts.
2. Unit mounted on P.C.board with 0.47"x0.47"(12x12cm) copper pads.0.375"(9.5mm) lead length.



SINGLE PHASE BRIDGE RECTIFIER

RS201 THRU RS207
KBP005 THRU KBP10

VOLTAGE RANGE	50 to 1000 Volts
CURRENT	2.0 Ampere

RATINGS AND CHARACTERISTIC CURVES RS201 THRU RS207

