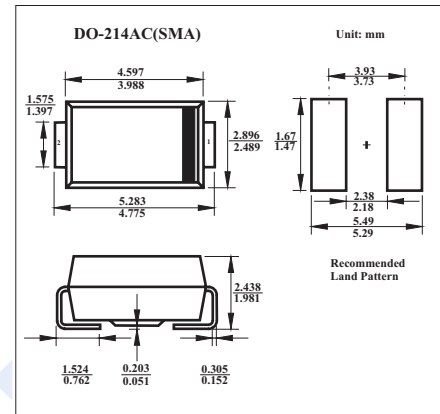


Surface Mount Schottky Barrier Rectifier

KCD32 THRU KCD310
(SCD32 THRU SCD310)

■ Features

- For surface mounted applications.
- Low profile package.
- Built-in strain relief.
- Metal silicon junction, majority carrier conduction.
- Low power loss, high efficiency.
- High current capability, low forward voltage drop.
- High surge capability.



■ Absolute Maximum Ratings and Electrical Characteristics at 25°C

Parameter	Symbol	KCD32	KCD34	KCD36	KCD310	Unit
Maximum repetitive peak reverse voltage	V _{RRM}	20	40	60	100	V
Maximum RMS voltage	V _{RMS}	14	28	42	70	V
Maximum DC blocking voltage	V _{DC}	20	40	60	100	V
Maximum average forward rectified current	I _(AV)	3				A
Peak forward surge current 8.3ms single half sine-wave superimposed on rated load (JEDEC Method)	I _{FSM}	80				A
Maximum instantaneous forward voltage at 3.0A * 1	V _F	0.5		0.7	0.85	V
Maximum DC reverse current * 1 at rated DC blocking voltage T _A =100°C	I _R	0.5				mA
		20		10		
Typical thermal resistance	R _{θJA} R _{θJL}	55 17				°C/W
Operating junction temperature range	T _J	-55 to +125		-55 to +150		°C
Storage temperature range	T _{stg}	-55 to +150				°C

* 1. Pulse test: 300ms pulse width, 1% duty cycle.