

# KBPC1005 THRU KBPC1010

## SINGLE-PHASE SILICON BRIDGE RECTIFIER

VOLTAGE: 50-1000V

CURRENT: 10.0A

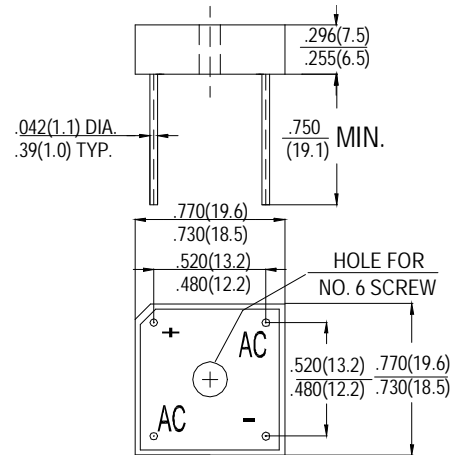
### FEATURES

- Surge overload ratings-200 Amperes
- Low forward voltage drop

### MECHANICAL DATA

- **Case:** Metal or plastic shell with plastic encapsulation
- **Epoxy:** UL 94V-0 rate flame retardant
- **Lead:** MIL-STD- 202E, Method 208 guaranteed
- **Polarity:** Symbols molded or marked on body
- **Mounting:** Thru hole for 6# screw
- **Weight:** 6.9 grams

### KBPC-8/10



Dimensions in inches and (millimeters)

### MAXIMUM RATINGS AND ELECTRICAL CHARACTERISTICS

Ratings at 25°C ambient temperature unless otherwise specified.

Single phase, half wave, 60Hz, resistive or inductive load.

For capacitive load, derate current by 20%.

	SYMBOL	KBPC 10005	KBPC 1001	KBPC 1002	KBPC 1004	KBPC 1006	KBPC 1008	KBPC 1010	units
Maximum Recurrent Peak Reverse Voltage	$V_{RRM}$	50	100	200	400	600	800	1000	V
Maximum RMS Bridge Input Voltage	$V_{RMS}$	35	70	140	280	420	560	700	V
Maximum DC Blocking Voltage	$V_{DC}$	50	100	200	400	600	800	1000	V
Maximum Average Forward rectified Output Current at $T_C=75^\circ\text{C}$	$I_o$	10							A
Peak Forward Surge Current 8.3ms single half sine-wave superimposed on rate load (JEDEC method)	$I_{FSM}$	250							A
Maximum Forward Voltage Drop per element at 5.0A DC	$V_F$	1.1							V
Maximum DC Reverse Current at Rated DC Blocking Voltage per element	@ $T_A=25^\circ\text{C}$	10							$\mu\text{A}$
	@ $T_A=100^\circ\text{C}$	500							
$I^2t$ Rating for Fusing ( $t<8.3\text{ms}$ )	$I^2t$	166							$\text{A}^2\text{S}_{ec}$
Typical Junction Capacitance (Note 1)	$C_J$	200							pF

Notes: 1. Measured at 1MHz and applied reverse voltage of 4.0 volts

2. Thermal Resistance from Junction to Ambient and from junction to lead mounted on P.C.B. with 0.5×0.5" (13×13mm) copper pads.