

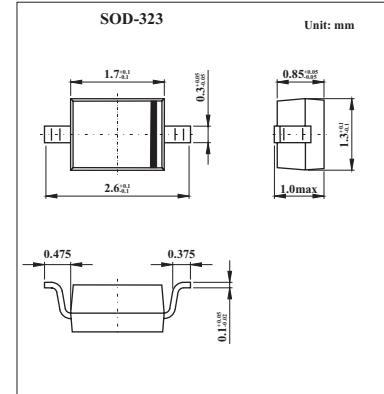
Surface Mount Fast Switching Diode

KAV19WS - KAV21WS

(BAV19WS - BAV21WS)

■ Features

- Fast switching speed
- Surface mount package Ideally suited for automatic insertion
- For general purpose switching applications
- High Conductance



■ Absolute Maximum Ratings Ta = 25°C

Parameter	Symbol	KAV19WS	KAV20WS	KAV21WS	Unit
Non-Repetitive Peak Reverse Voltage	V _{RM}	120	200	250	V
Peak repetitive peak reverse voltage	V _{RRM}				
Working peak	V _{RWM}	100	150	200	V
DC blocking voltage	V _R				
RMS reverse voltage	V _{R(RMS)}	71	106	141	V
Average Rectified Output Current	I _o		200		mA
Forward continuous current	I _{FM}		400		mA
Non-Repetitive Peak Forward Surge Current @t=1.0 μs	I _{FSM}		2.5		A
@t=1.0s			0.5		
Non-Repetitive Peak Forward Surge Current	I _{FRM}		625		mA
Power dissipation	P _d		200		mW
Thermal resistance junction to ambient	R _{θJA}		625		°C/W
Operating and Storage Temperature Range	T _J , T _{STG}		-65 to +150		°C

■ Electrical Characteristics Ta = 25°C

Parameter	Symbol	Test conditions	Min	Typ	Max	Unit
Reverse breakdown voltage*	KAV19WS	I _R =100 μA	120			V
	KAV20WS		200			
	KAV21WS		250			
Forward Voltage *	V _{FM}	I _F = 100mA			1.0	V
		I _F = 200mA			1.25	
Peak Reverse Current @ Rated DC Blocking Voltage*	I _{RM}	T _j = 25°C			100	nA
		T _j = 100°C			15	μA
Junction Capacitance	C _j	V _R = 0V, f = 1.0MHz			5.0	pF
Reverse Recovery Time	t _{rr}	I _F = I _R = 30mA, I _{rr} = 0.1 X I _R , R _L = 100 Ω			50	ns

* Short duration pulse test used to minimize self-heating effect.

■ Marking

NO.	KAV19WS	KAV20WS	KAV21WS
Marking	A8 or T2 or T3	T2 or T3	T3