

KGEA BFCAM

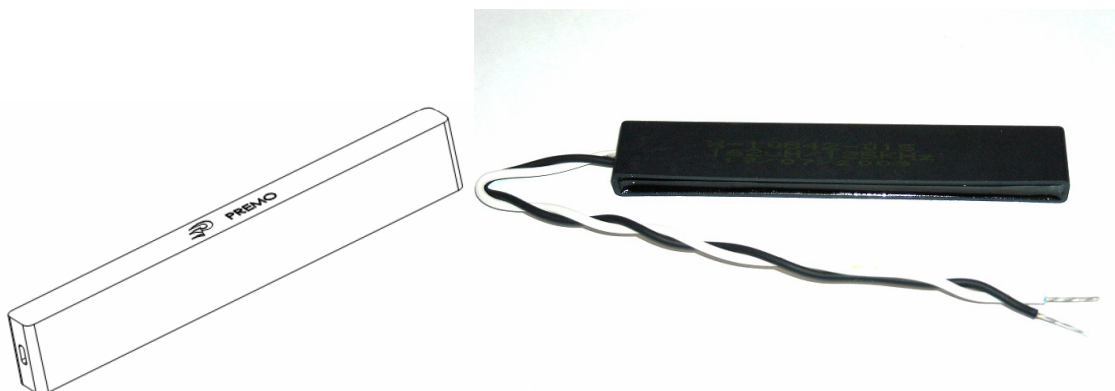
Emitter Antenna Low Profile 85x13x7mm

Housing plastic base-potted and outside connector unsealed & sealed

C/Severo Ochoa 33 - Parque Tecnológico de Andalucía. 29590 Campanillas. Málaga (Spain) Phone +34 951 231 320 Fax +34 951 231 321
 E-mail: info@grupopremo.com Web <http://www.grupopremo.com>

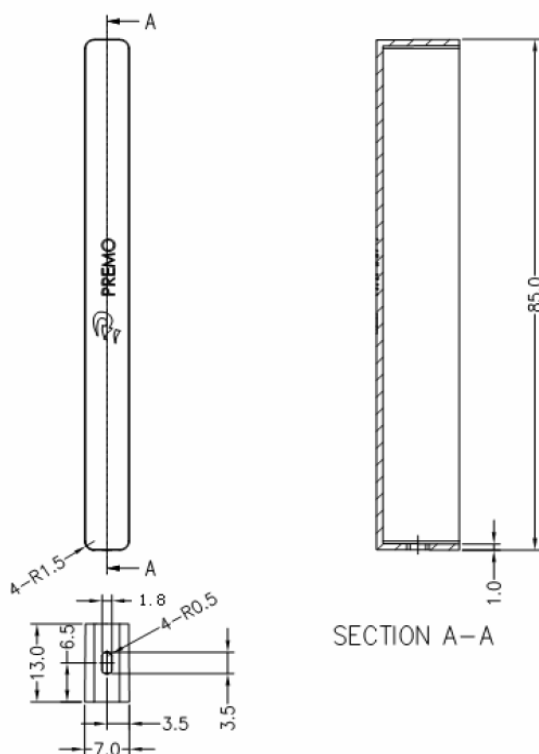
1. Features

- Ideally used access and start Hand Free subsystem for Passive Entry keyless Go System Requirements for automotive application.



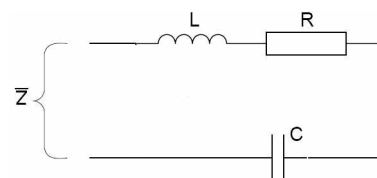
Connector: Optional Unsealed & Sealed

2. Dimensions



L > 20mm	tolerance ± 0.5mm
10 < L ≤ 20mm	tolerance ± 0.2mm
L ≤ 10mm	tolerance ± 0.1mm

3. Schematic Diagram



L: Ferrite core coil inductance
 R: Copper resistance and connection
 C: Tuning internal capacitor NPO
 Z: External impedance

KGEA BFCAM

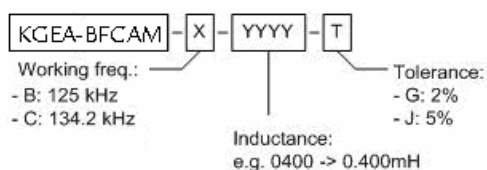
Emitter Antenna Low Profile 85x13x7mm

Housing plastic base-potted and outside connector unsealed & sealed



C/Severo Ochoa 33 - Parque Tecnológico de Andalucía. 29590 Campanillas. Málaga (Spain) **Phone** +34 951 231 320 **Fax** +34 951 231 321
E-mail: info@grupopremo.com **Web** <http://www.grupopremo.com>

4. Nomenclature:



5. Functional Performance:

Typical Operating Frequencies fo: 125 kHz and 134 kHz.

Temperature Range: -40 °C -> +85 °C.

Storage temperature: -40 °C -> +105 °C

Antenna Current: MAX 2.8App, Duty 30%

Tolerances: (fo ± 2% @ 25°C and fo ± 5% @ [-40°C to 85°C])

Products comply with RoHS requirements.

This part is according to AEC-Q200 Revision C.

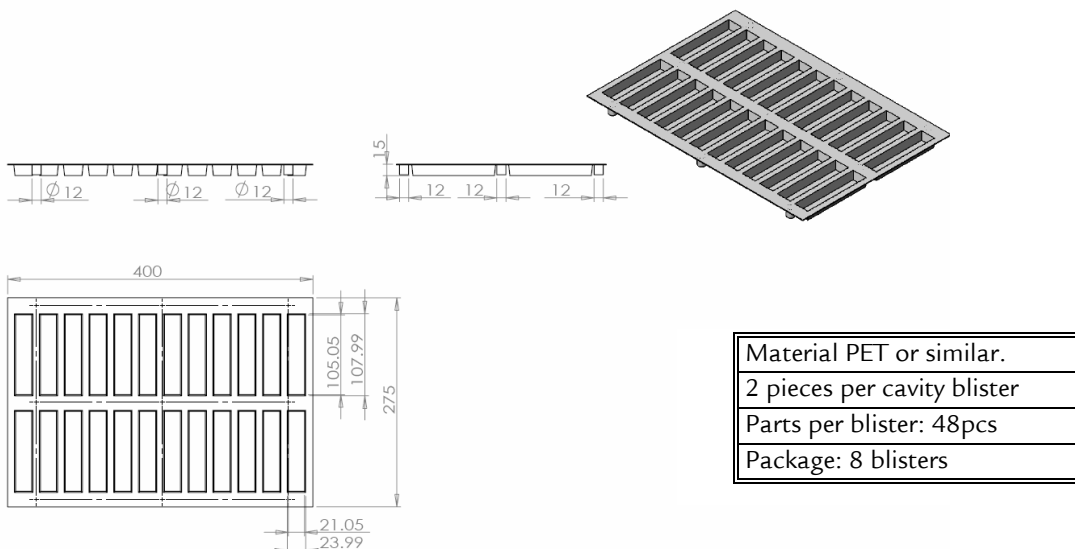
6. Electrical Characteristics

KGEA-BFCAM

Code	L (mH)	Q min	Freq (KHz)	SRF Coil (Mhz)	Length (mm)	Width (mm)	Height (mm)
KGEA-BFCAM-B-0345J	0.345	115	125	>3	85	13	7
KGEA-BFCAM-B-0500J	0.500	115	125	>3			
KGEA-BFCAM-C-0207J	0.207	100	134,2	>3			
KGEA-BFCAM-C-0426J	0.426	100	134,2	>3			

7. Packaging information

BLISTER SPECIFICATION (All Dimensions in mm)



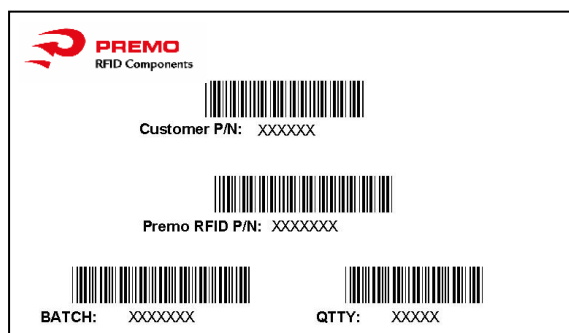
8.- Printing and Labelling

PART PRINTING

PART NUMBER

BATCH/DATE

PACKAGE LABELLING



Edition	Revision Date
1	07/08/09